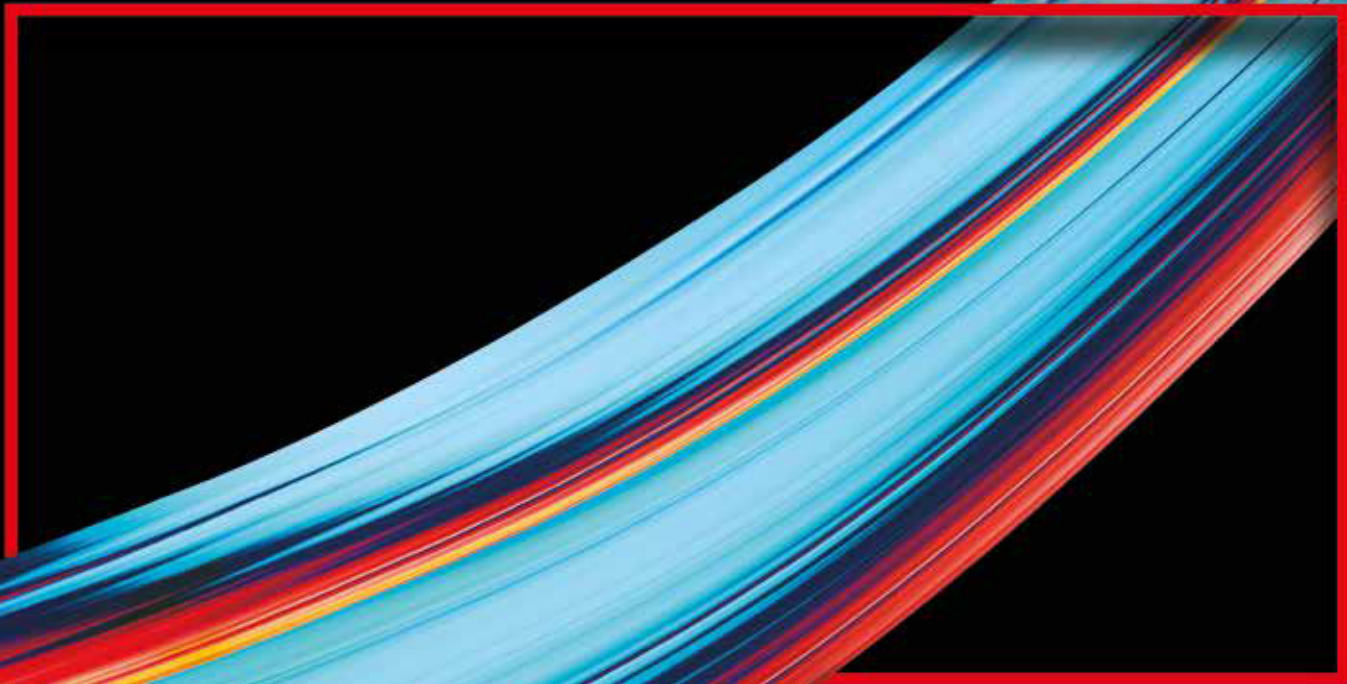
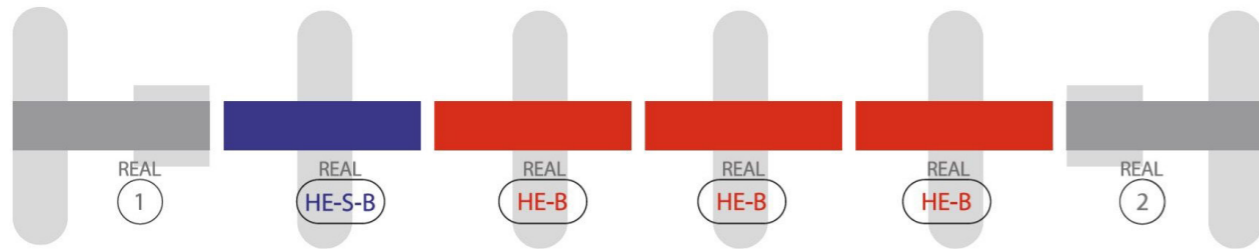
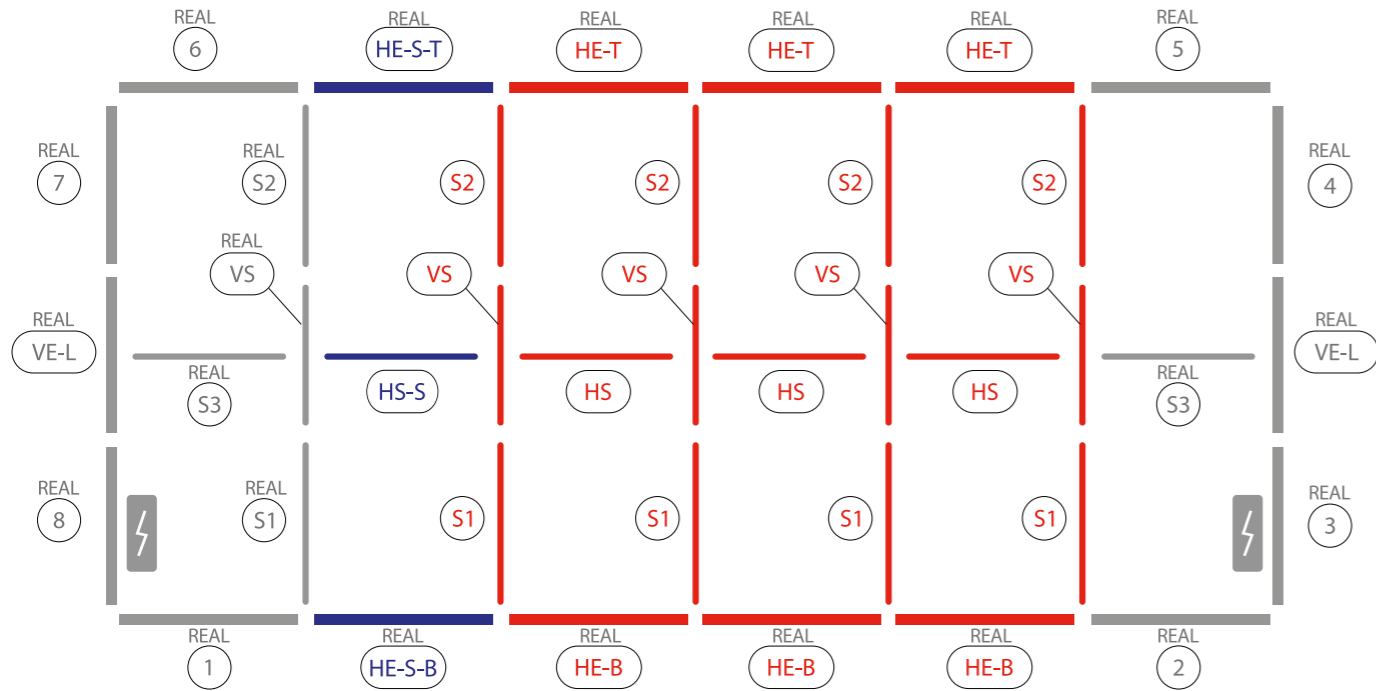


AUFBAUANLEITUNG SET UP INSTRUCTION



BIG LED UP

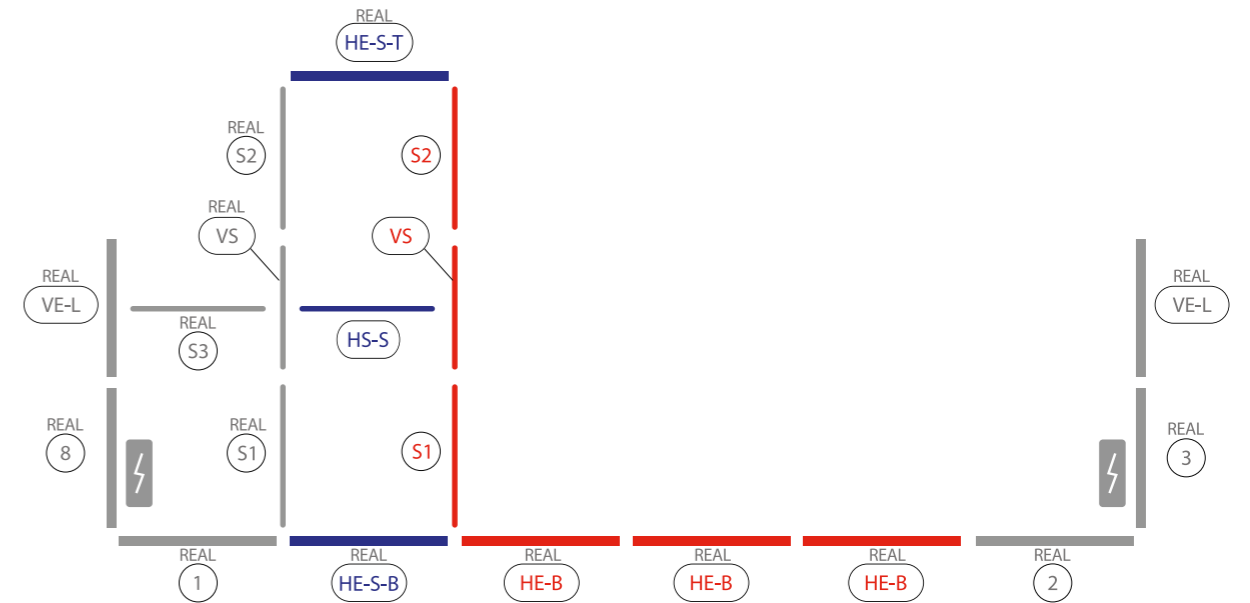


BASEPLATE PLACEMENT

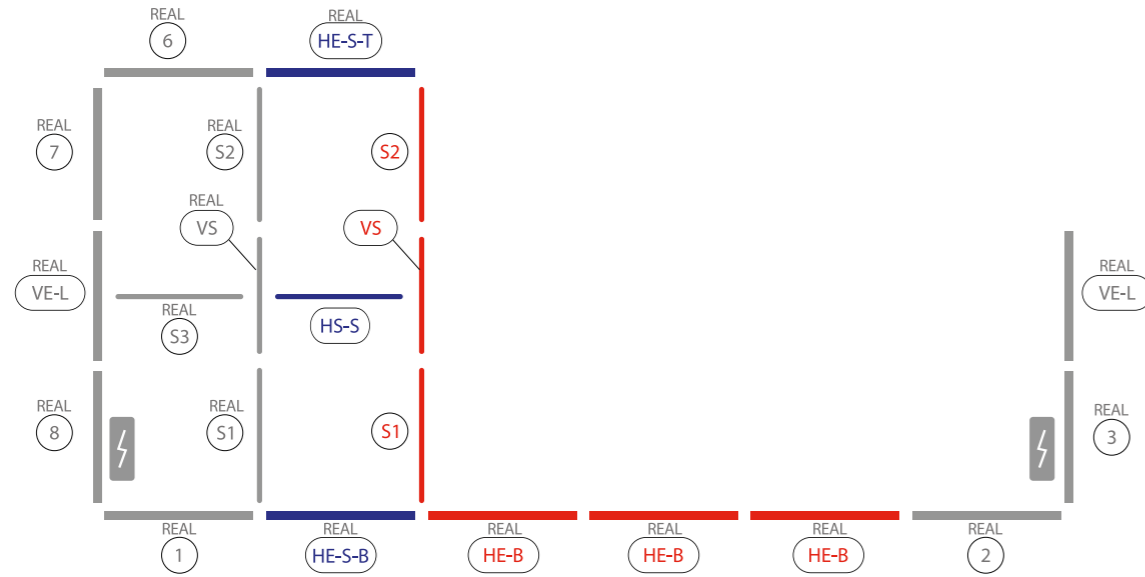
1.



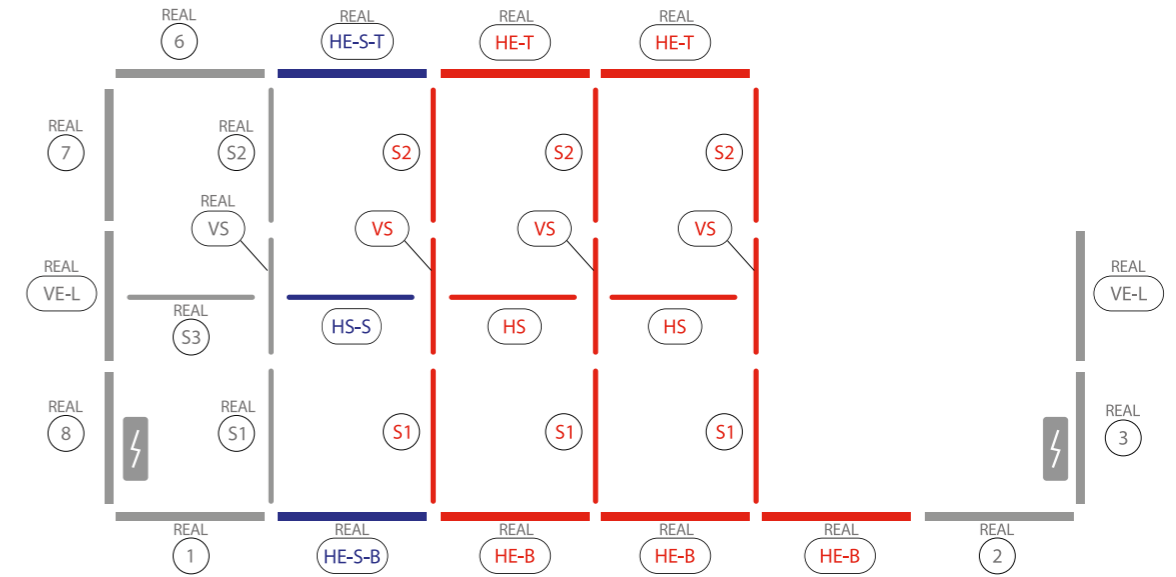
2.



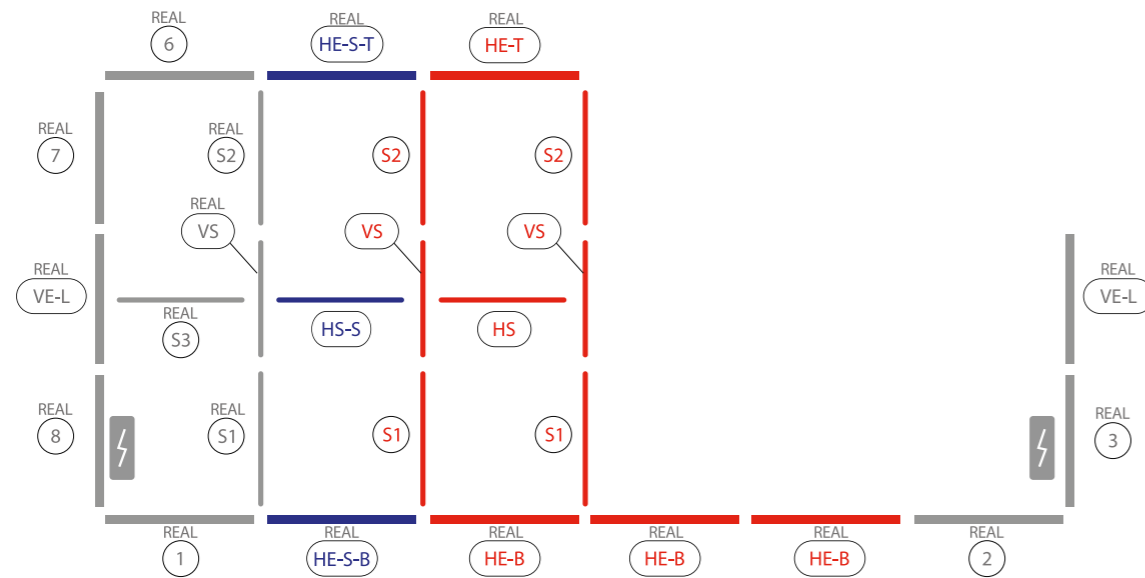
3.



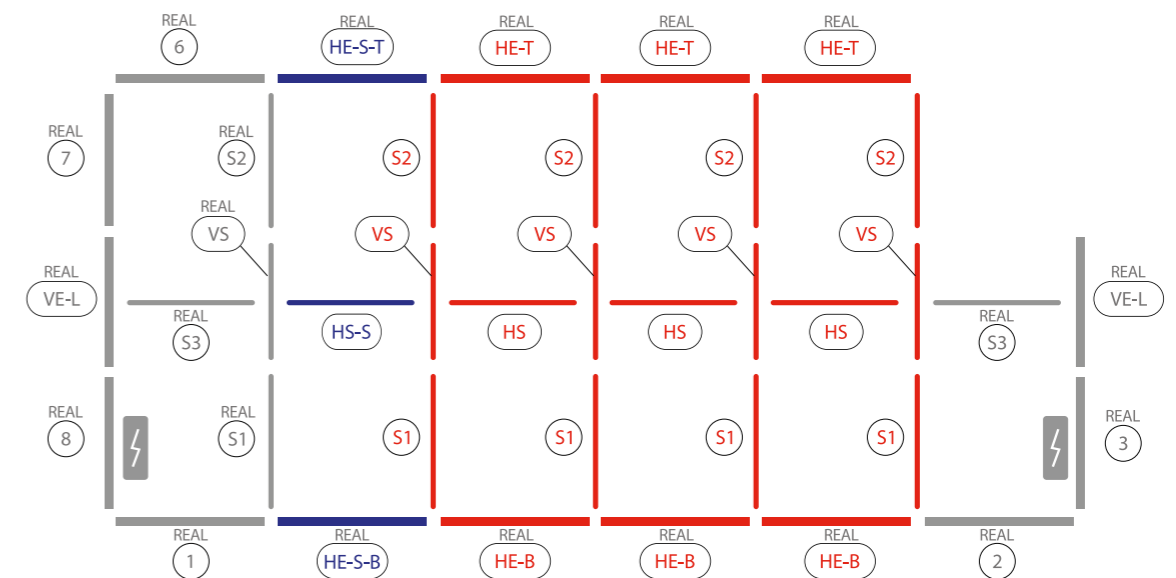
5.



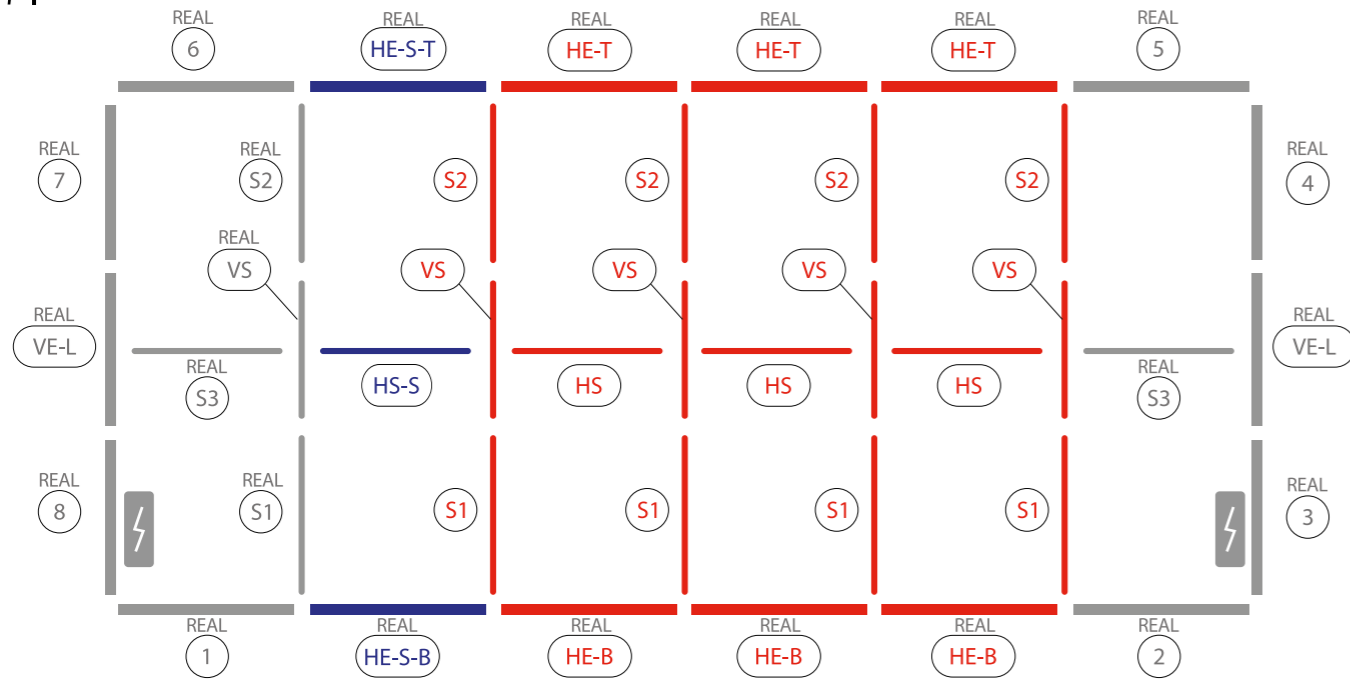
4.



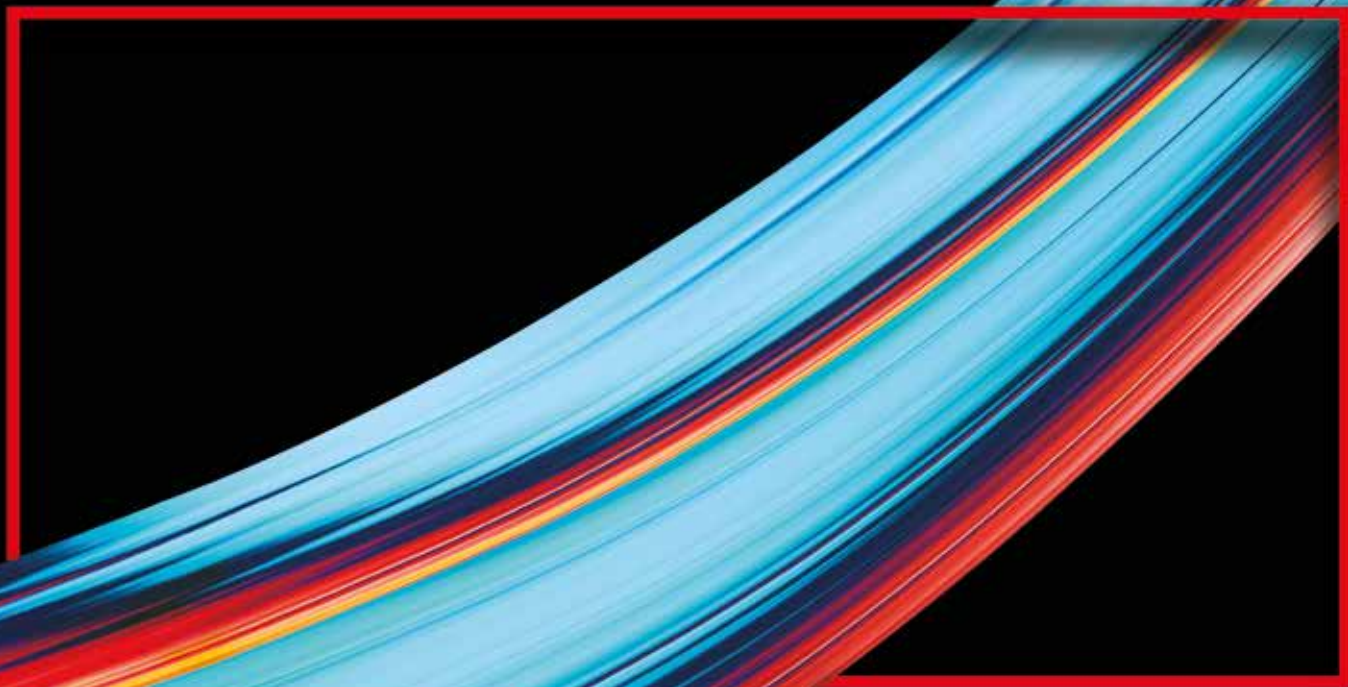
6.



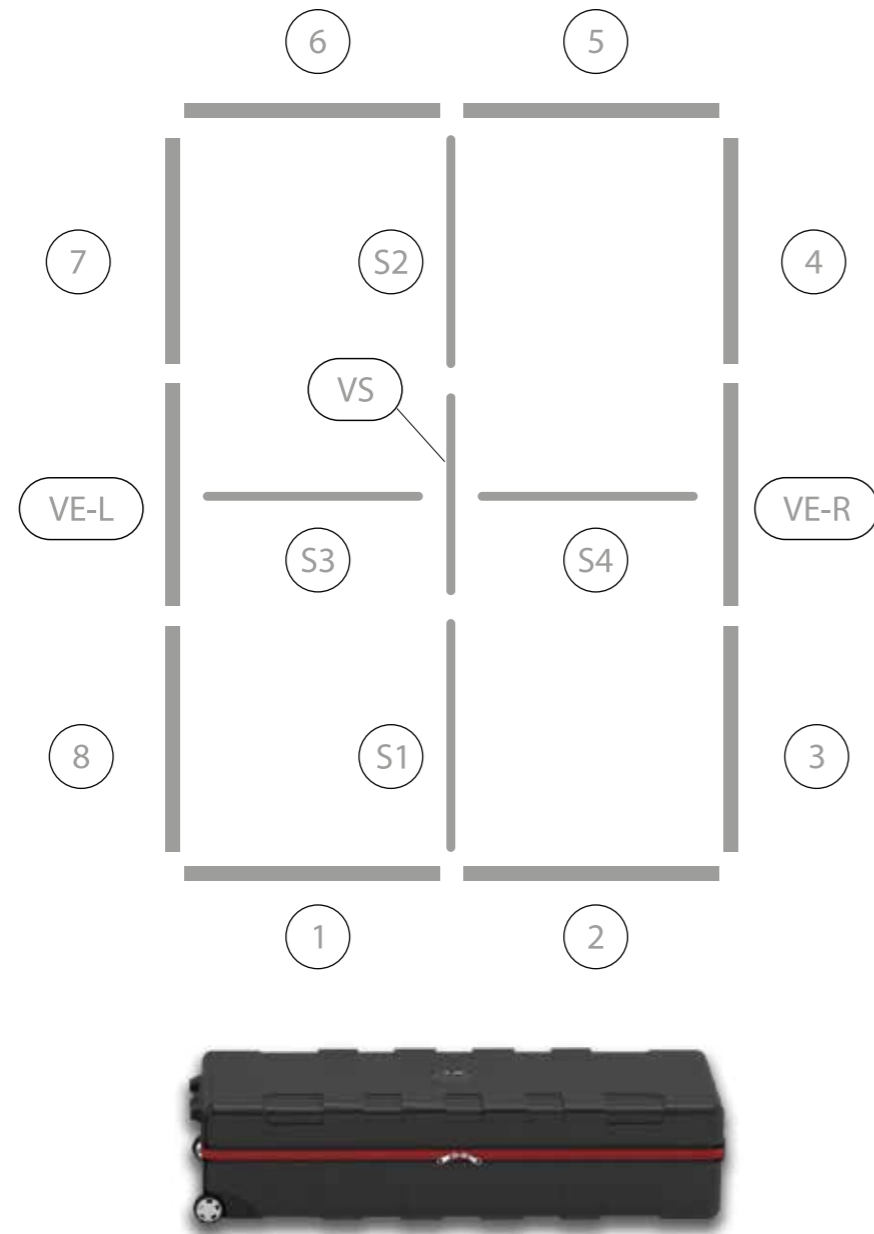
7.



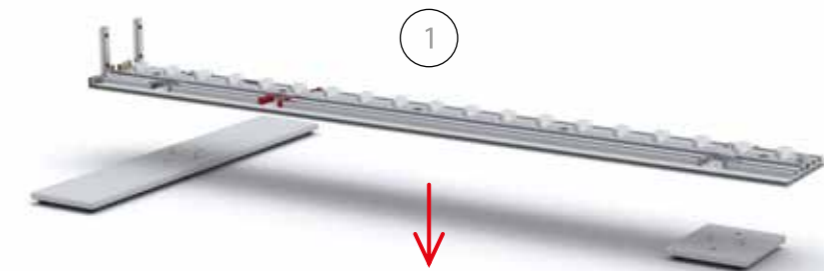
AUFBAUANLEITUNG SET UP INSTRUCTION



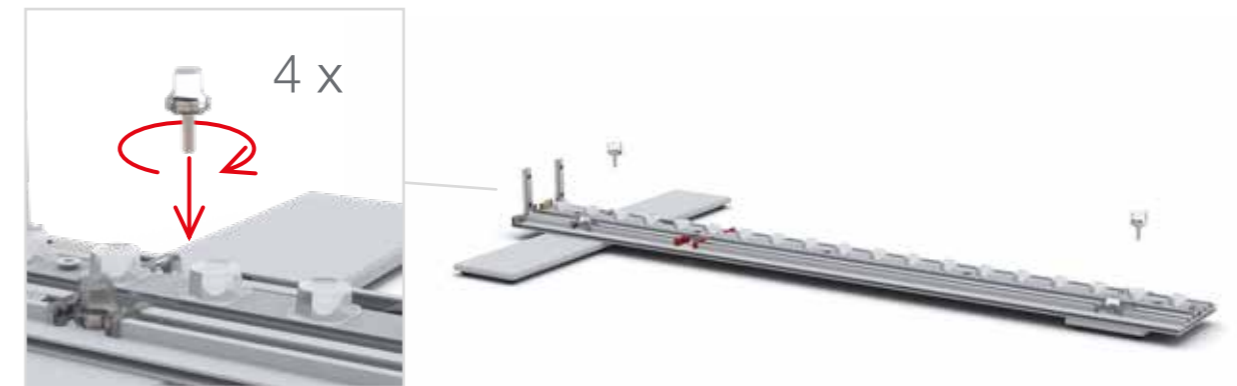
BIG LED UP

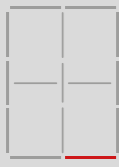


1.

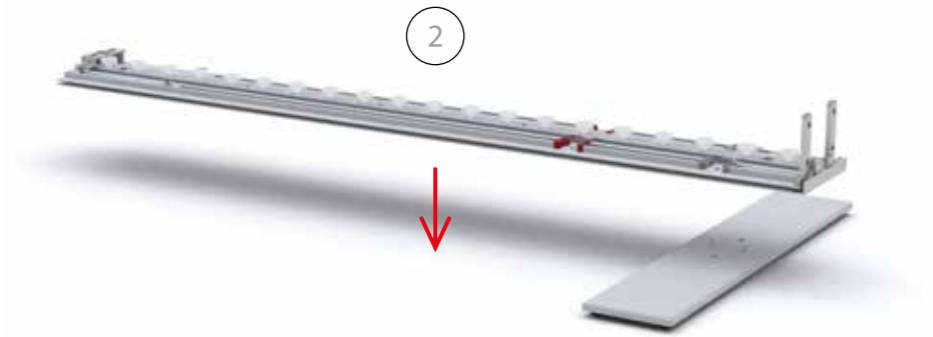


2.





3.



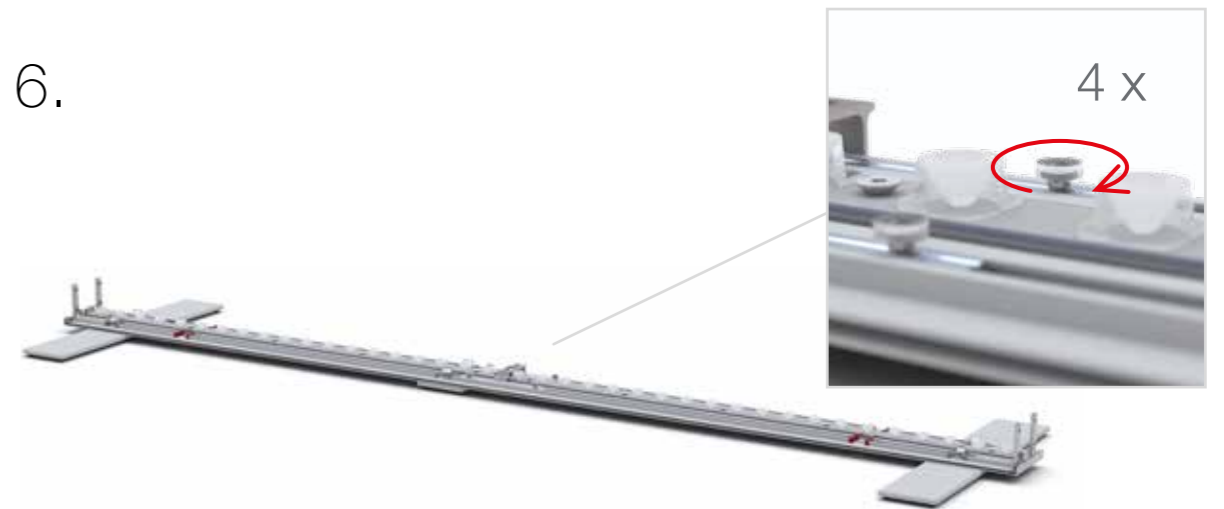
4.

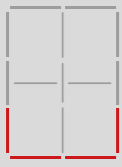


5.

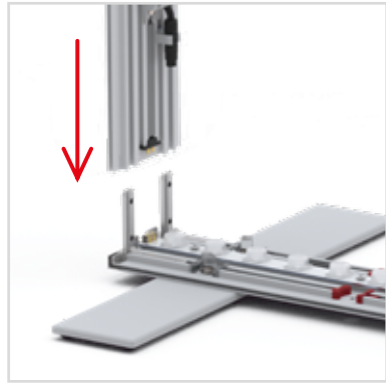


6.

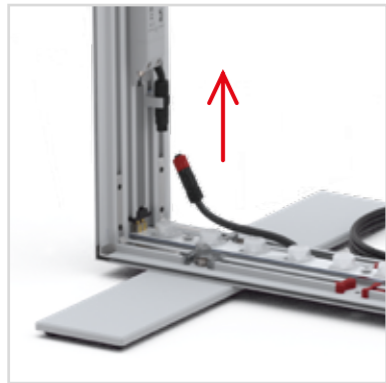




7.

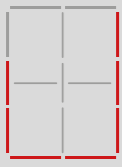


8.

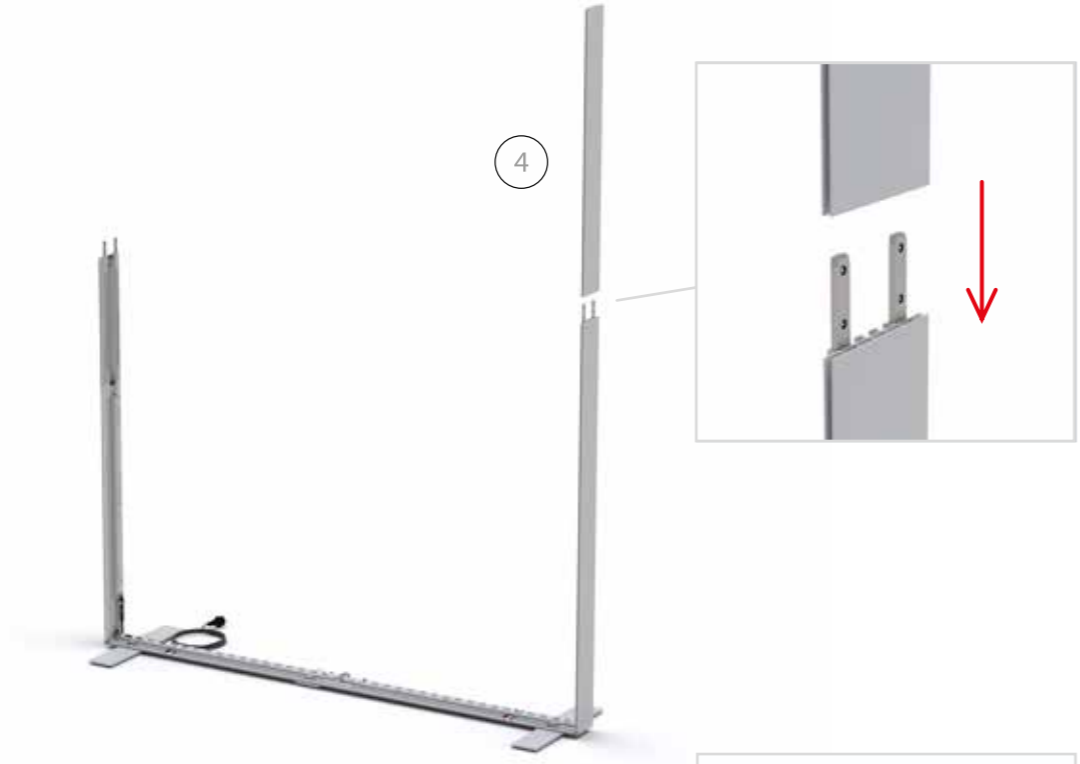


9.

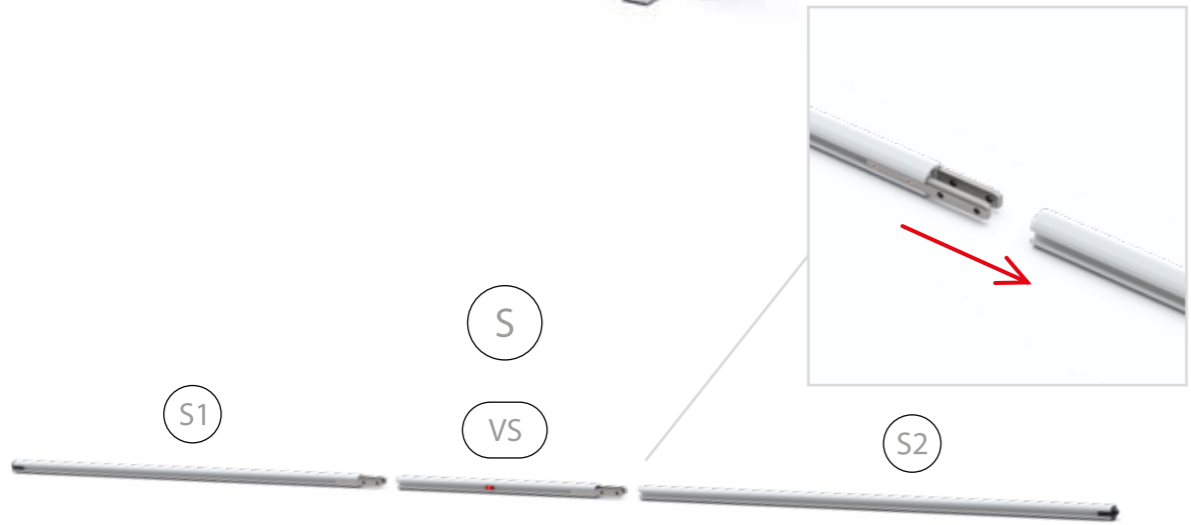




10.

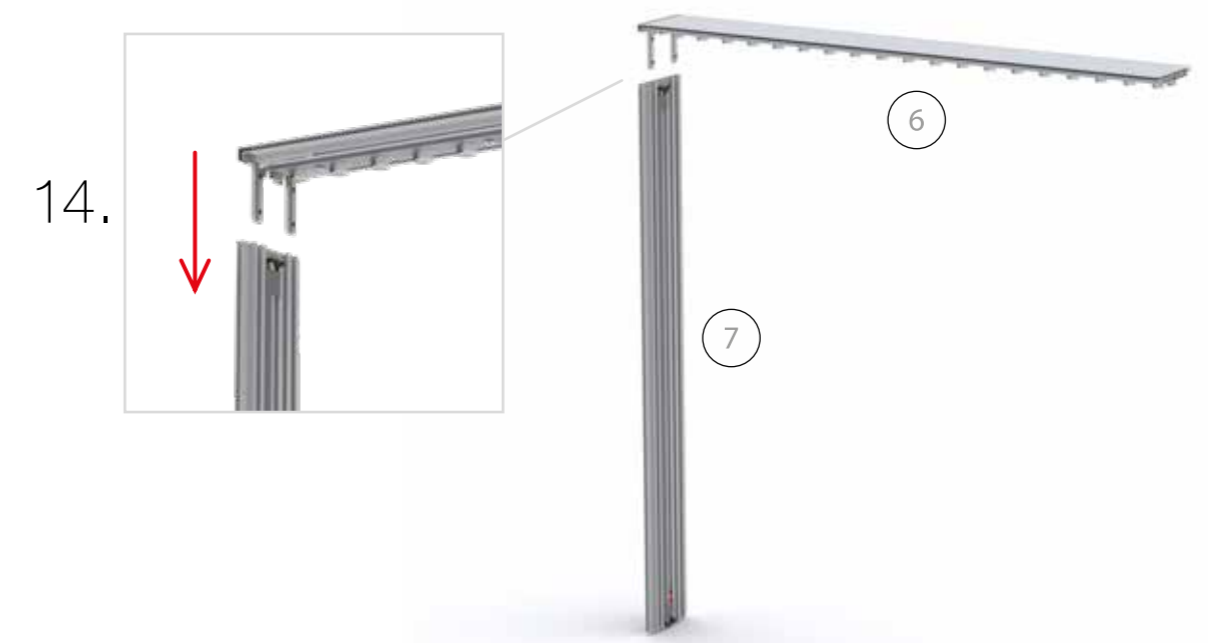
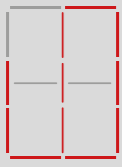


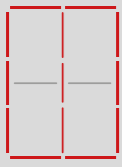
11.



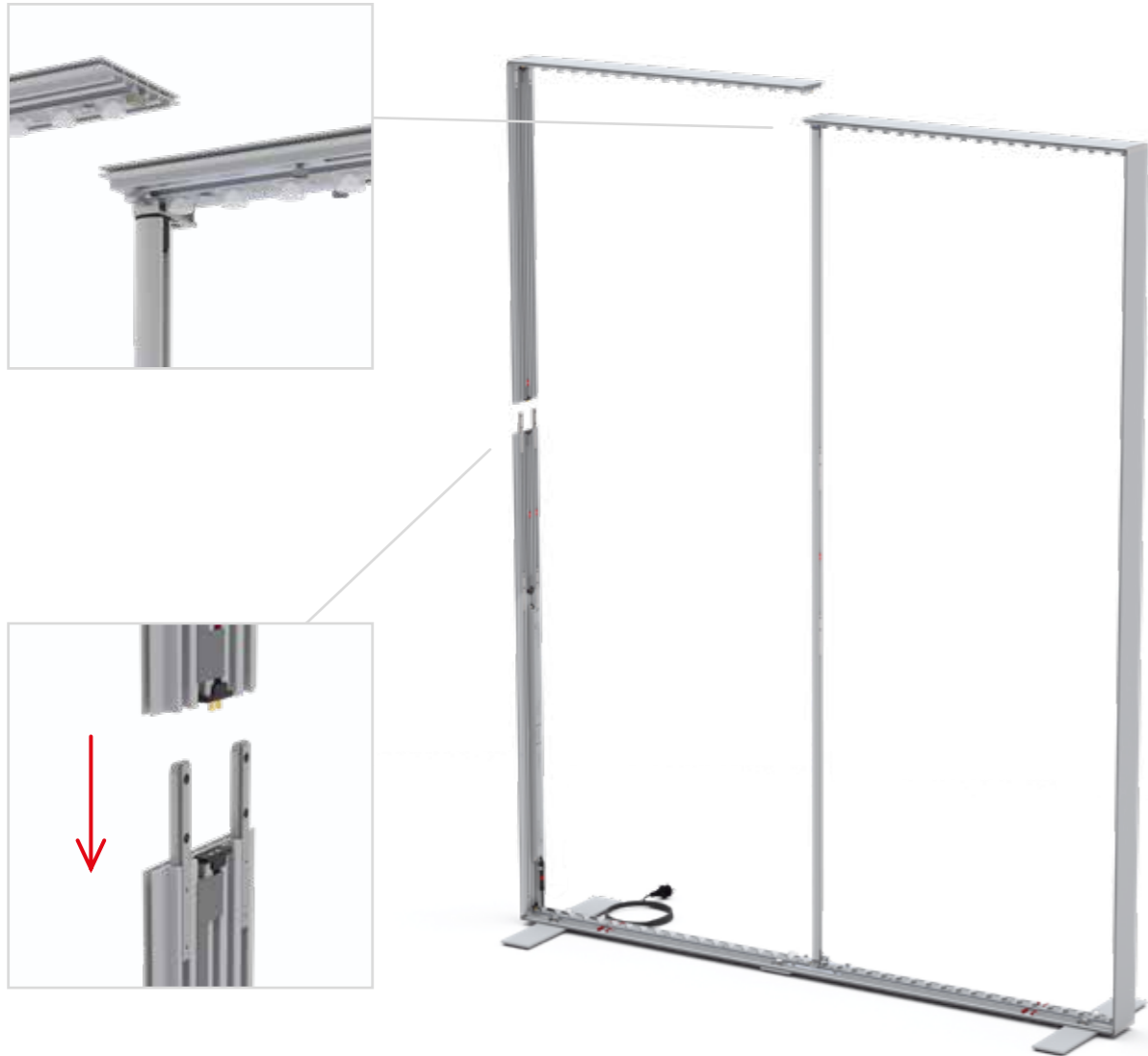
12.





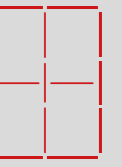
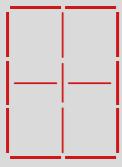


15.

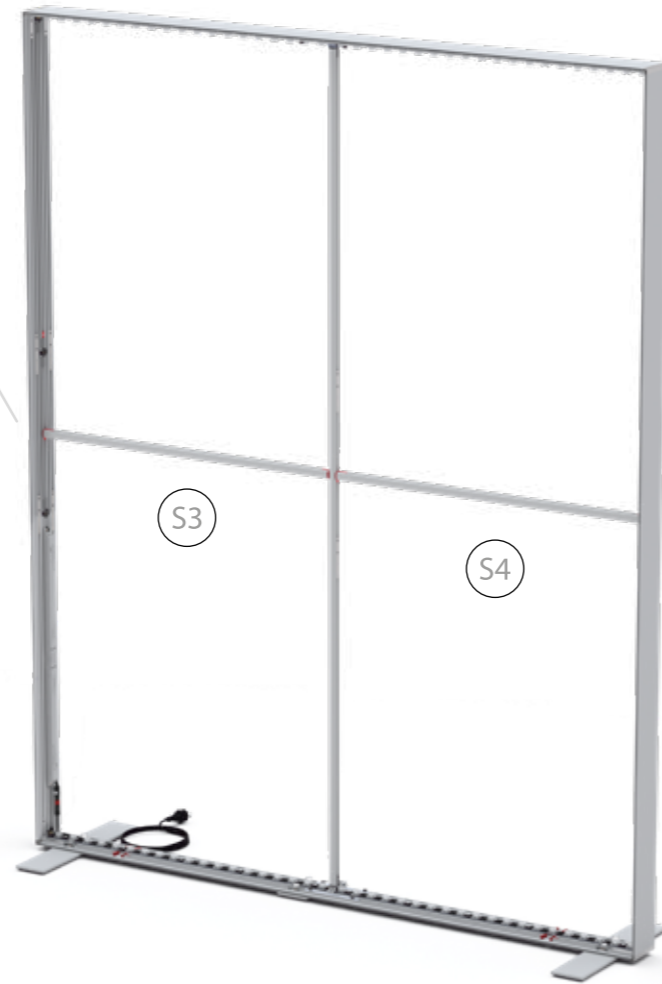
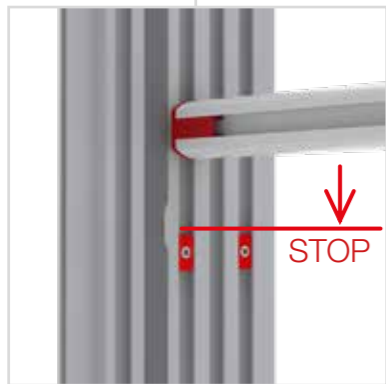


16.

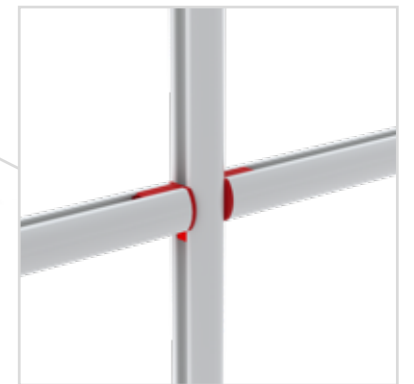


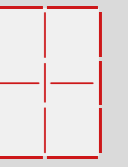
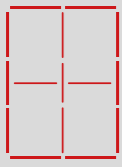


17.

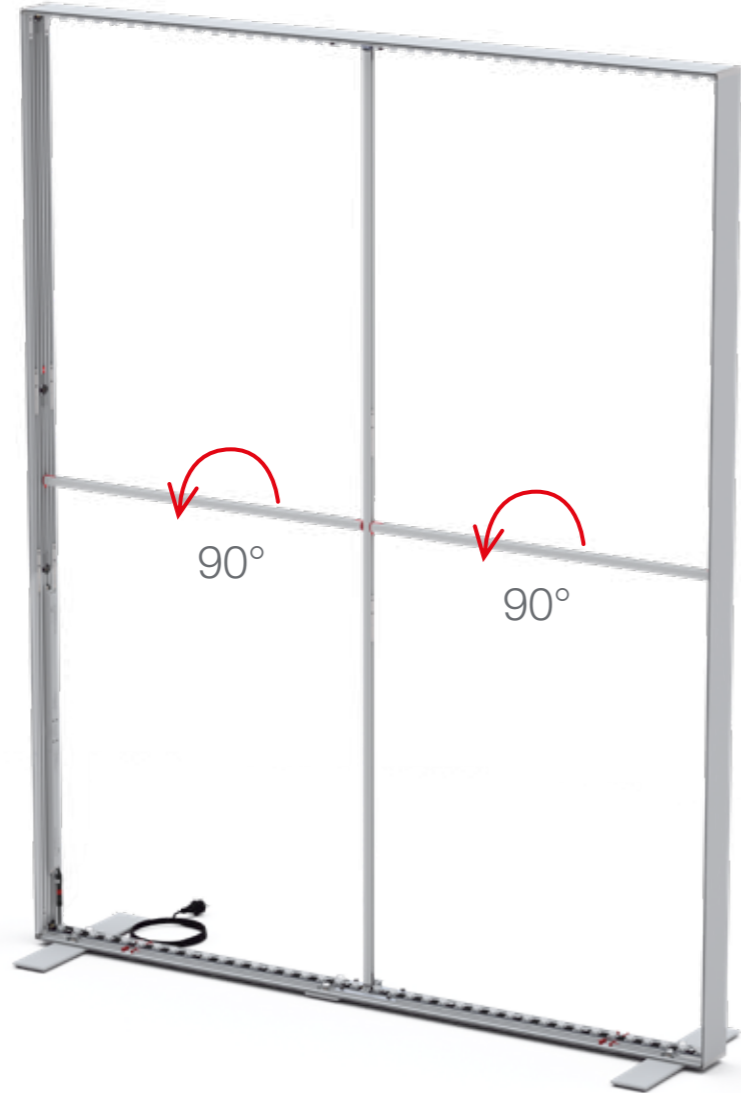


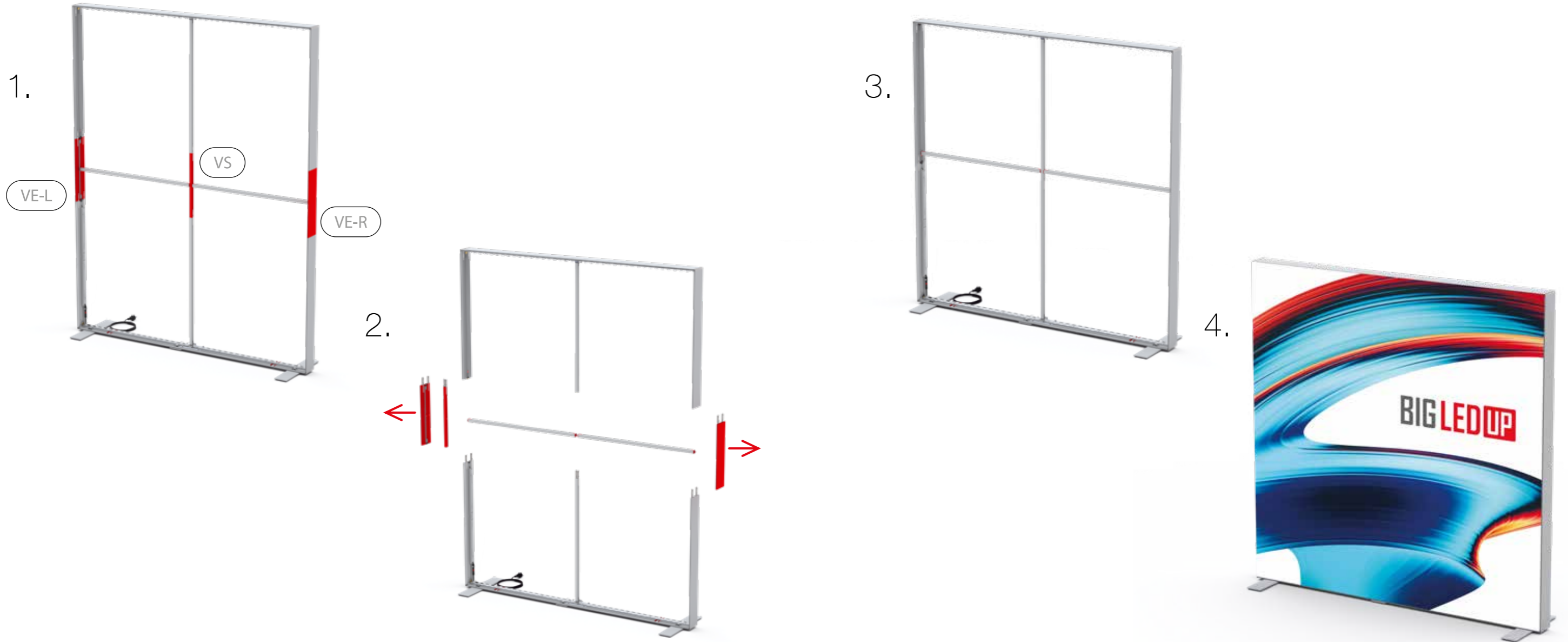
18.



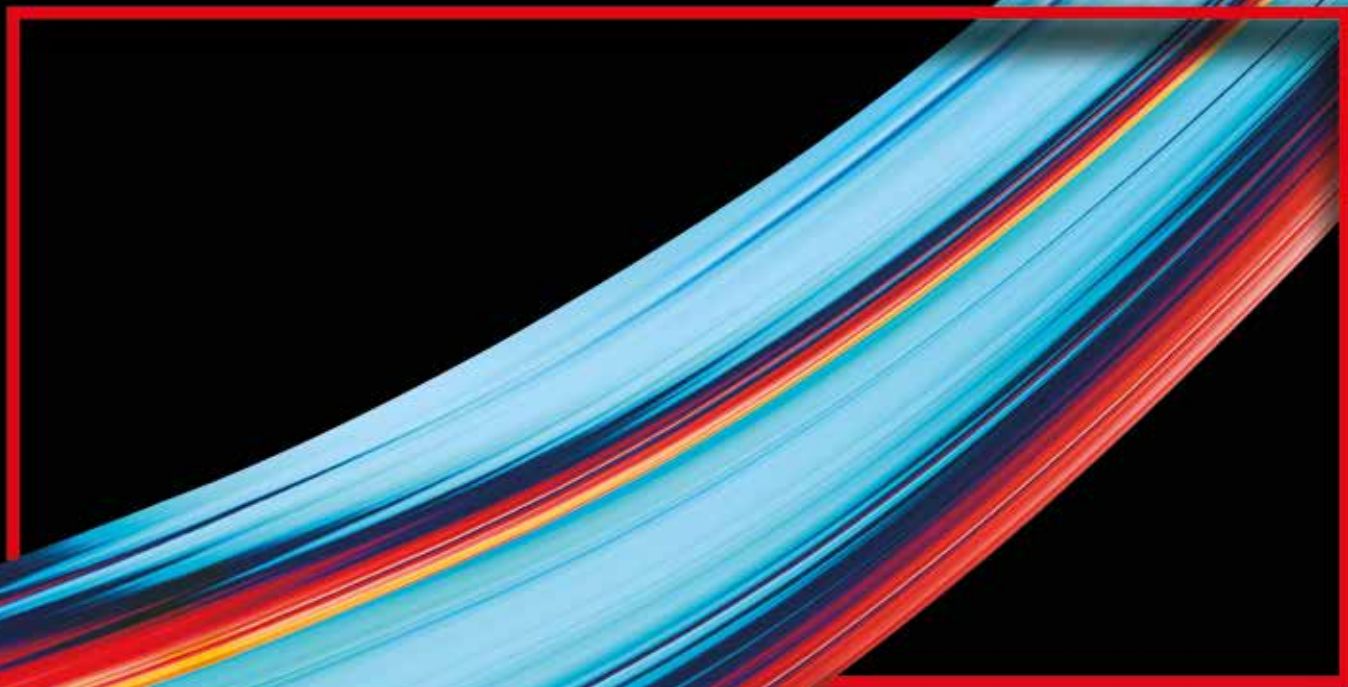


19.

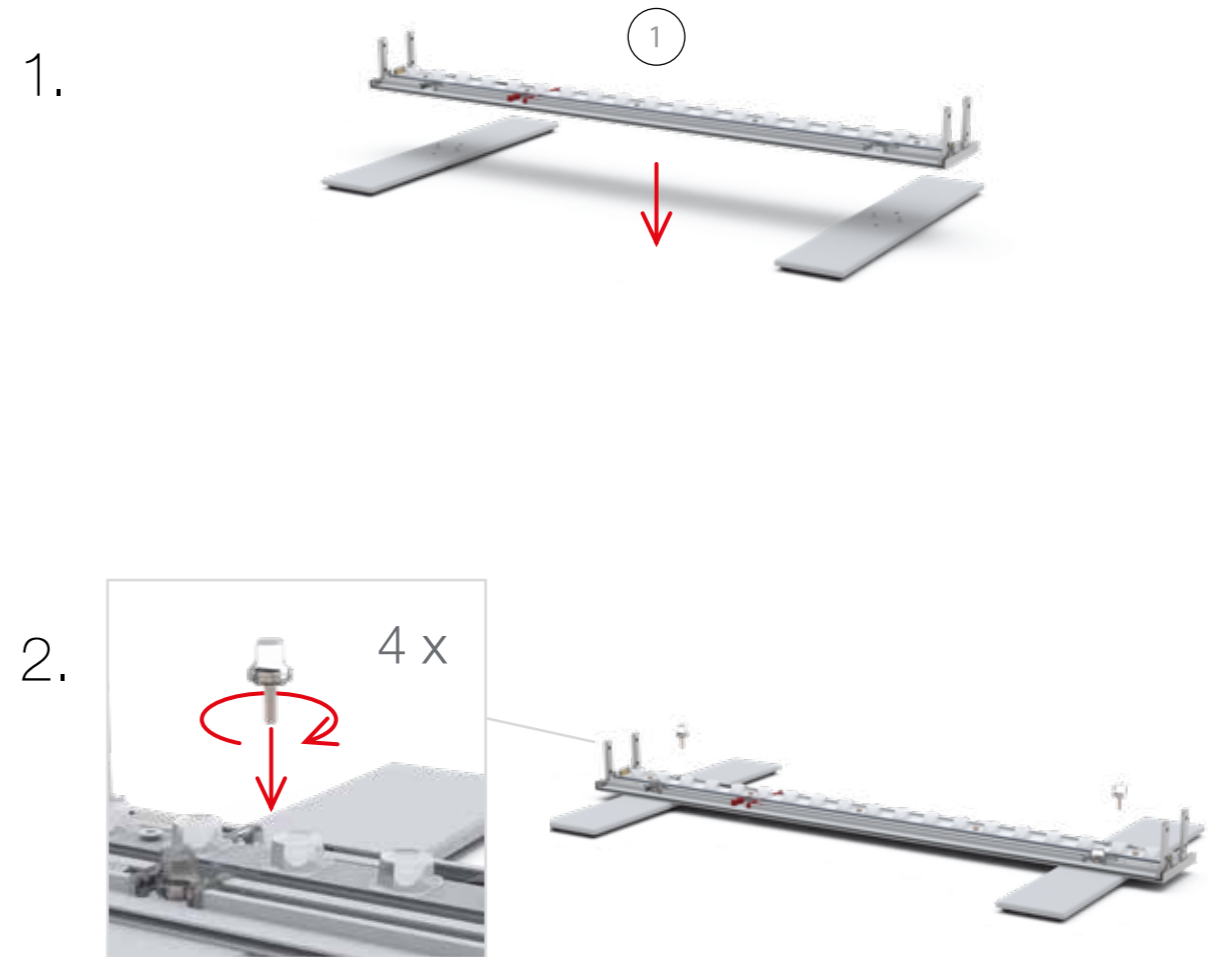
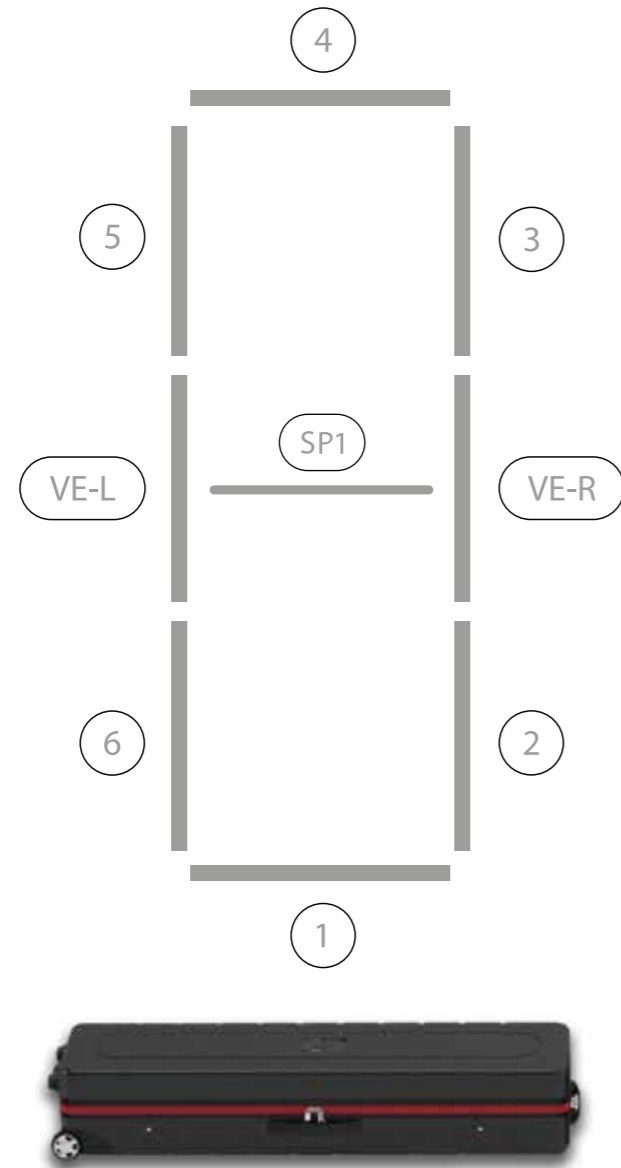




AUFBAUANLEITUNG SET UP INSTRUCTION

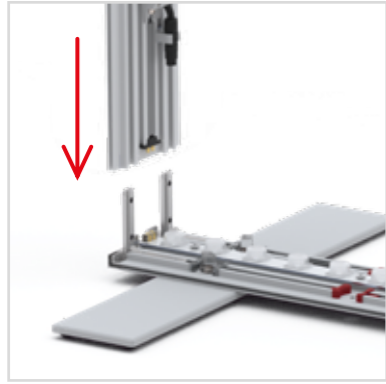


BIG LED UP

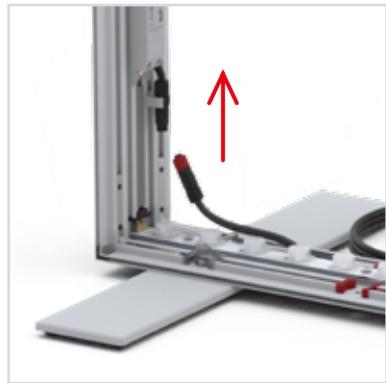




3.



4.



5.





6.

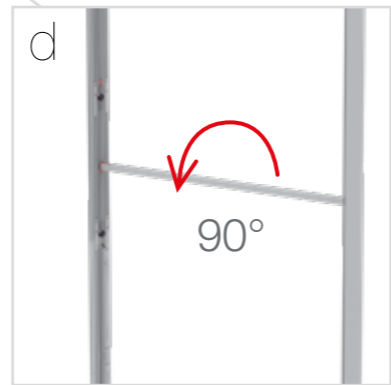
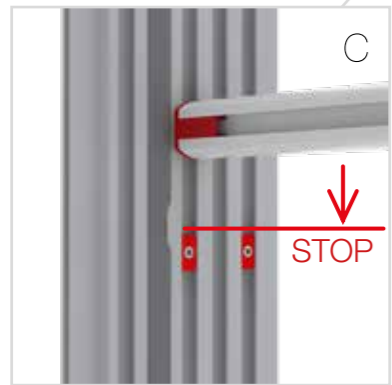
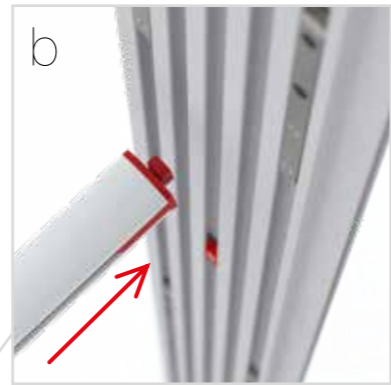
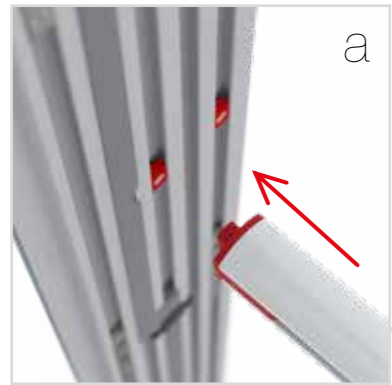


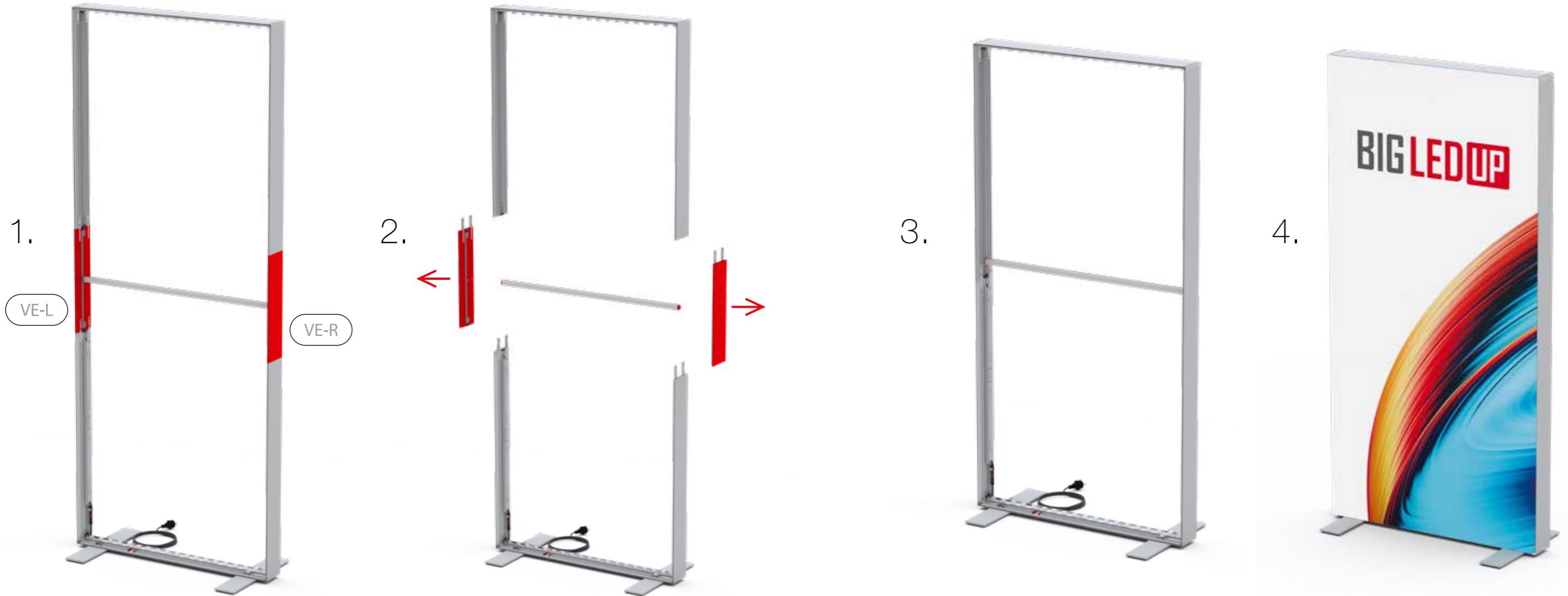
7.





8.

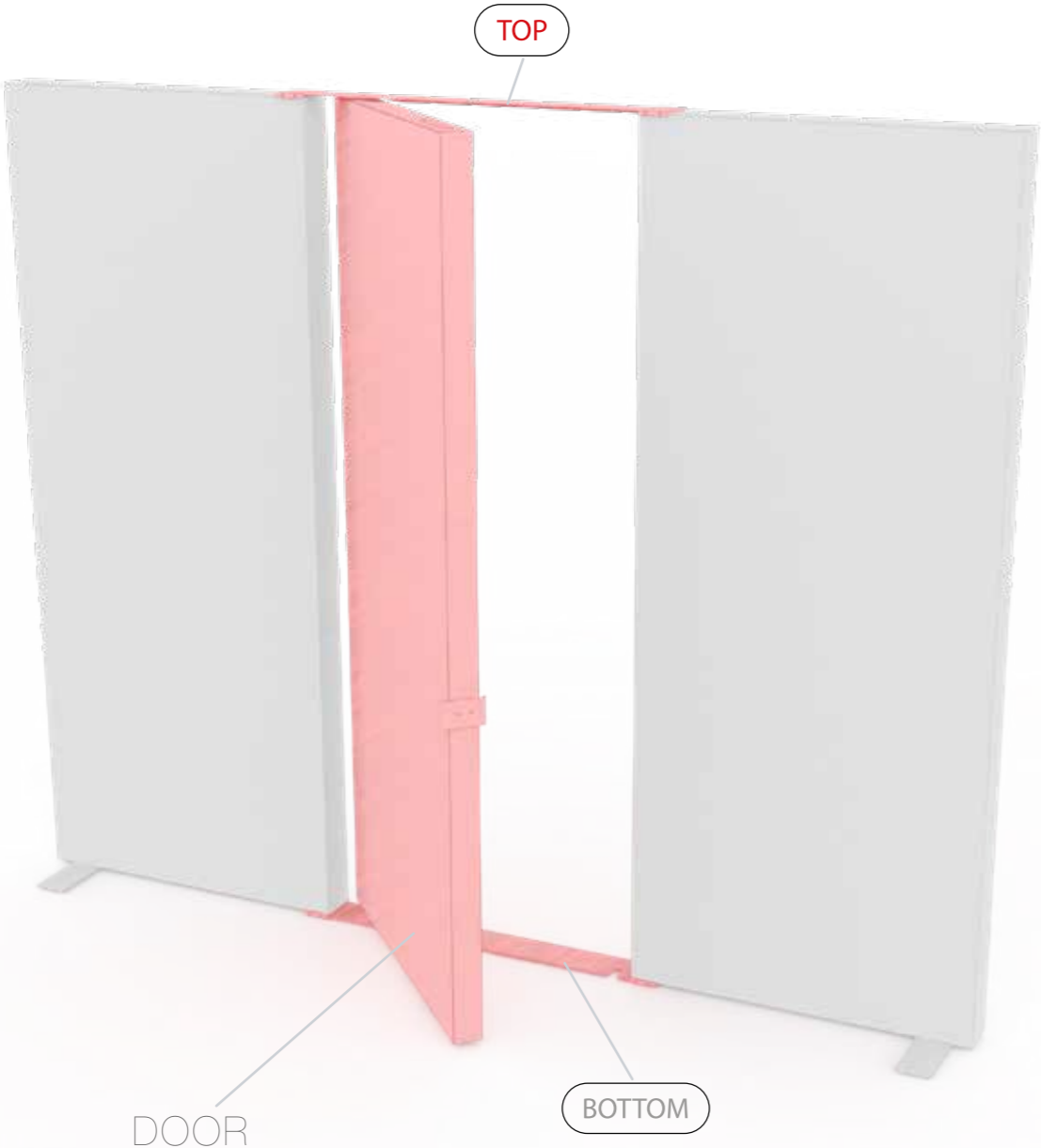




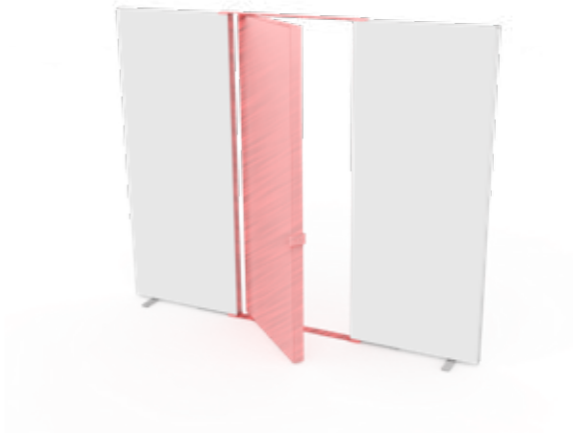
SET UP INSTRUCTION
ACCESSORIES

The text 'BIG LED UP DOOR' is displayed in a bold, stylized font. The letters are filled with a vibrant, multi-colored gradient of red, orange, yellow, and blue, creating a sense of motion and energy. The text is set against a solid black background and is enclosed within a thin red rectangular border.

**BIG LED UP
DOOR**



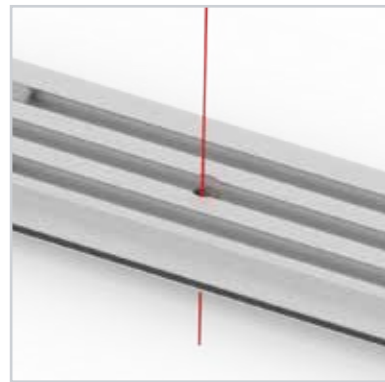
Gerade Version/straight version 4
Aufbauanleitung/set up instruction



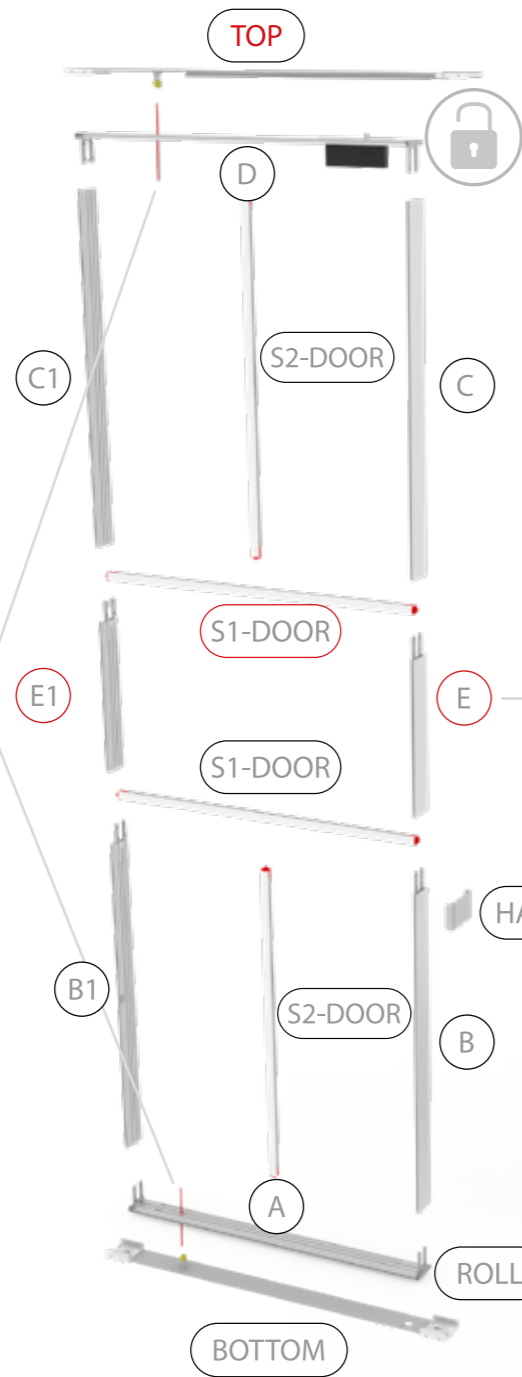
Eck- & Kojenversion/corner & storage version.....30
Aufbauanleitung/set up instruction



BIG LED UP DOOR



AXIS

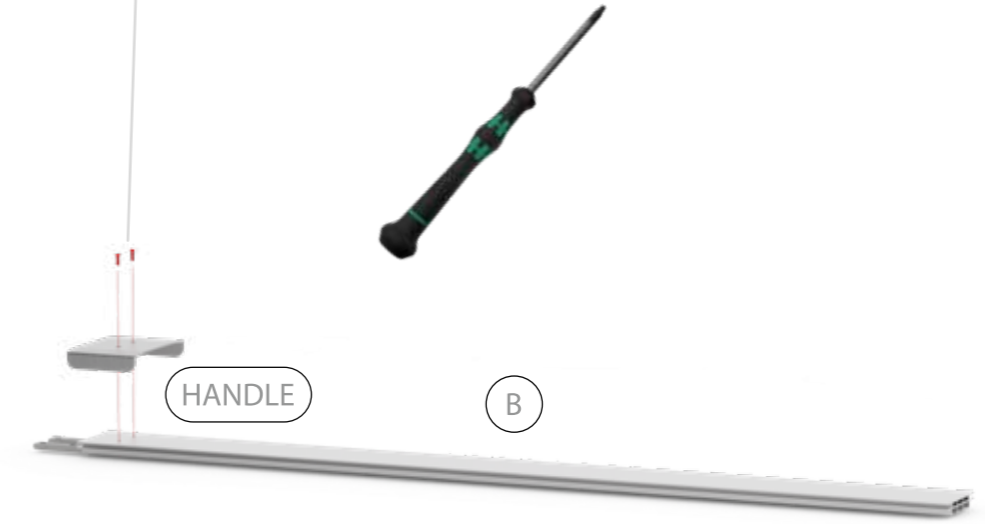


RAHMENGRÖSSE/FRAME
SIZE: 98 x 199,2 / 239,2 / 297,2cm

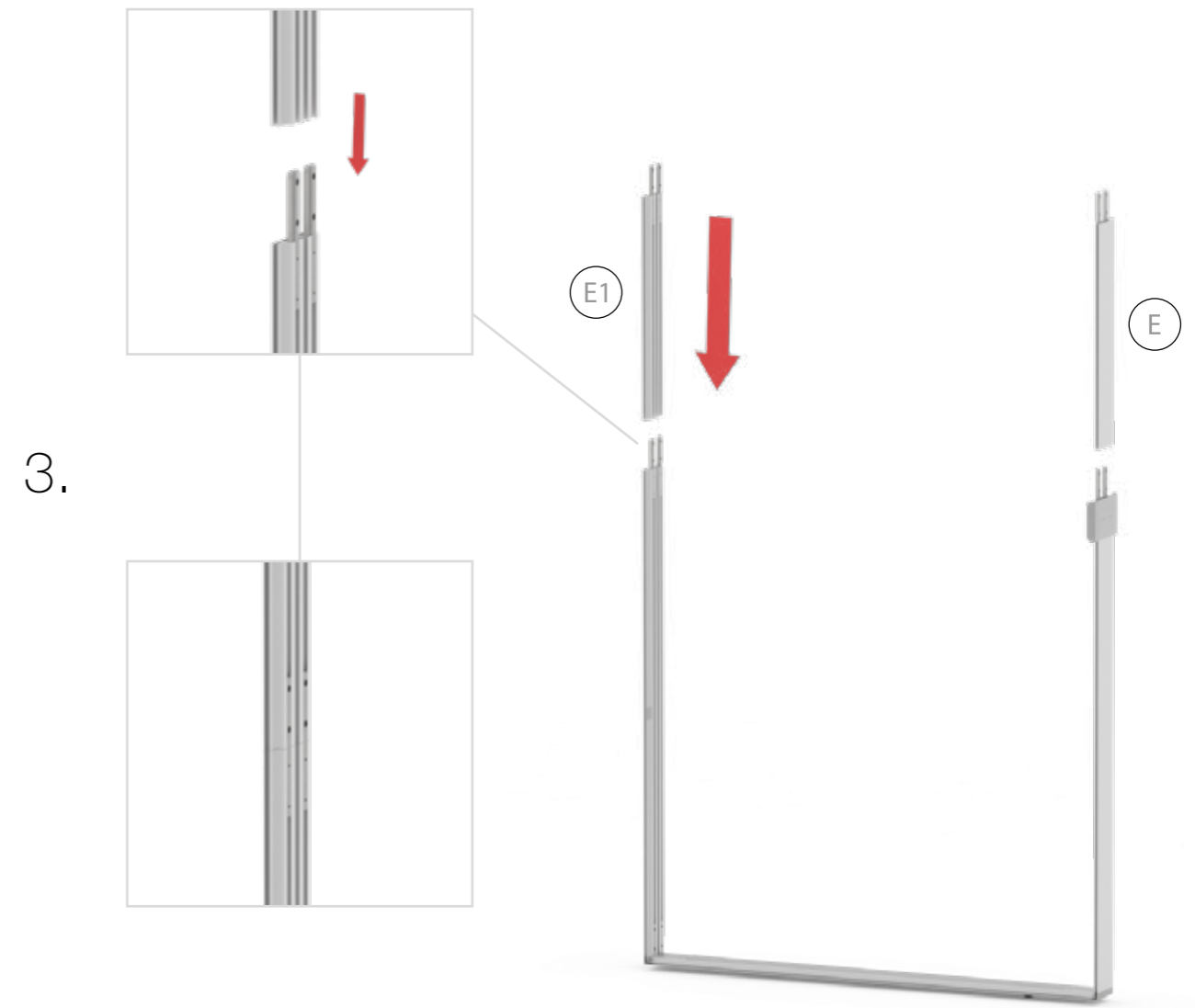
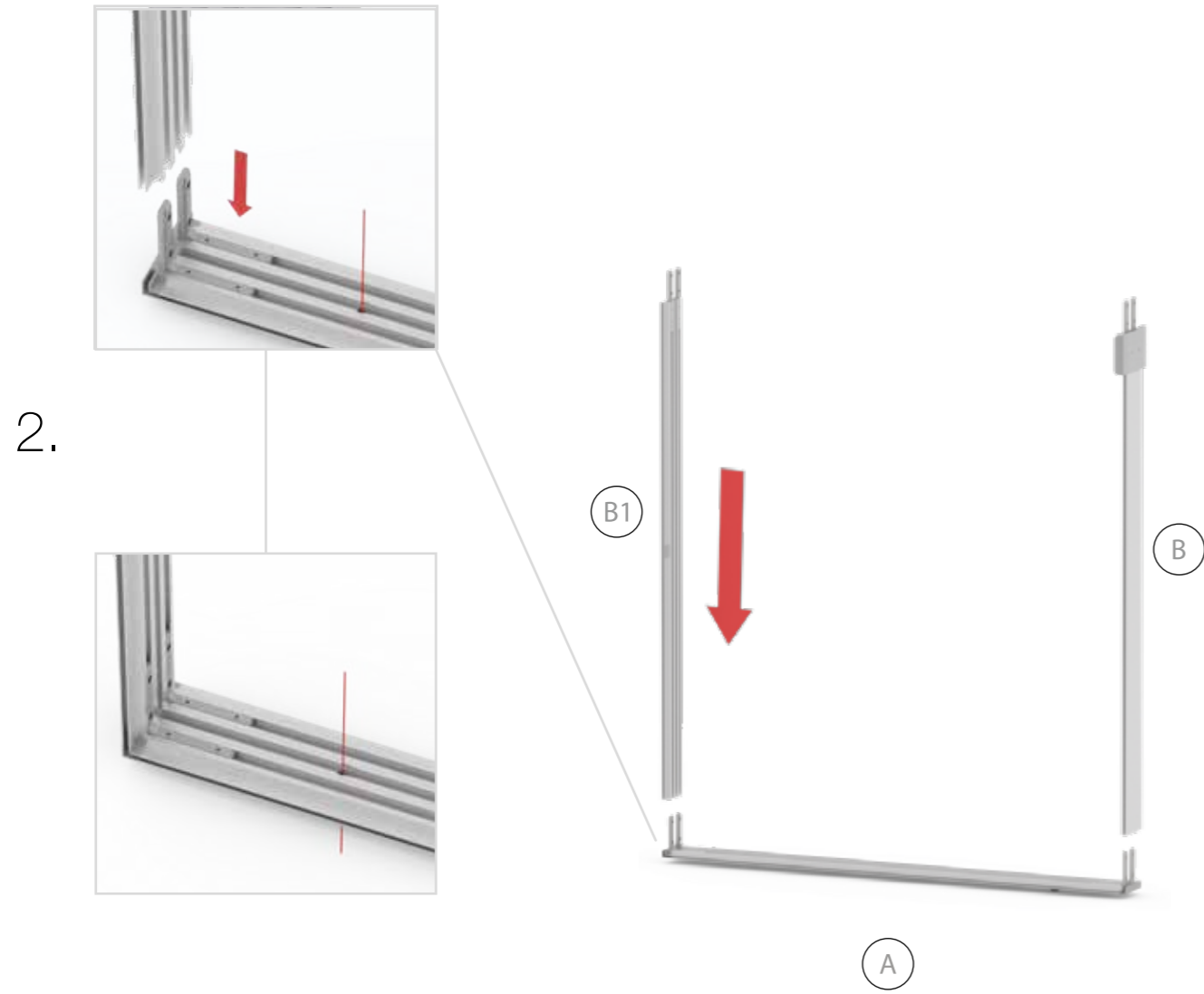
E1 S1-DOOR E
NUR FÜR DIE HÖHE
240/298 ERFORDERLICH
ONLY NEEDED FOR THE
HEIGHT 240/298



1.

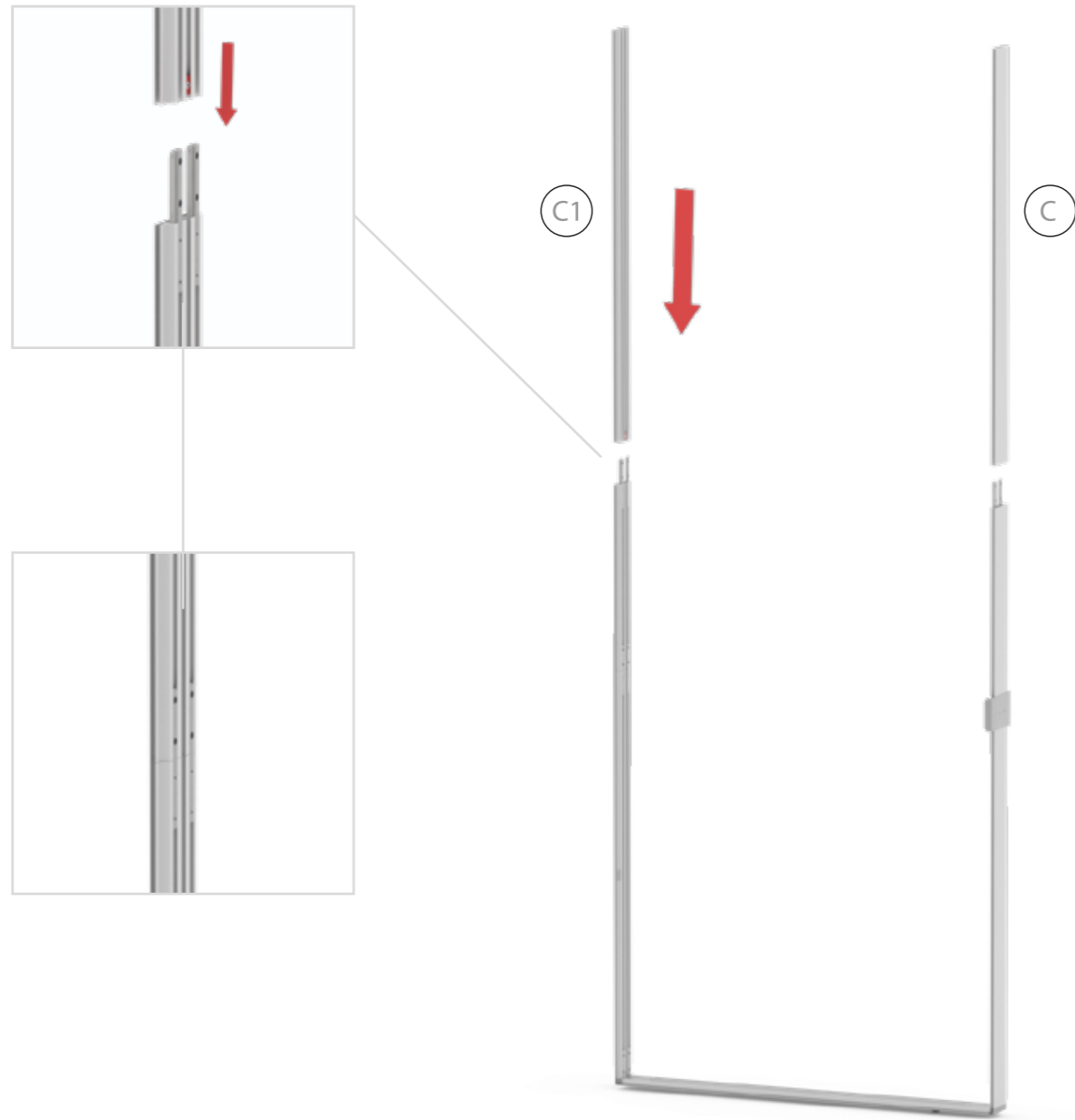


TÜR/DOOR

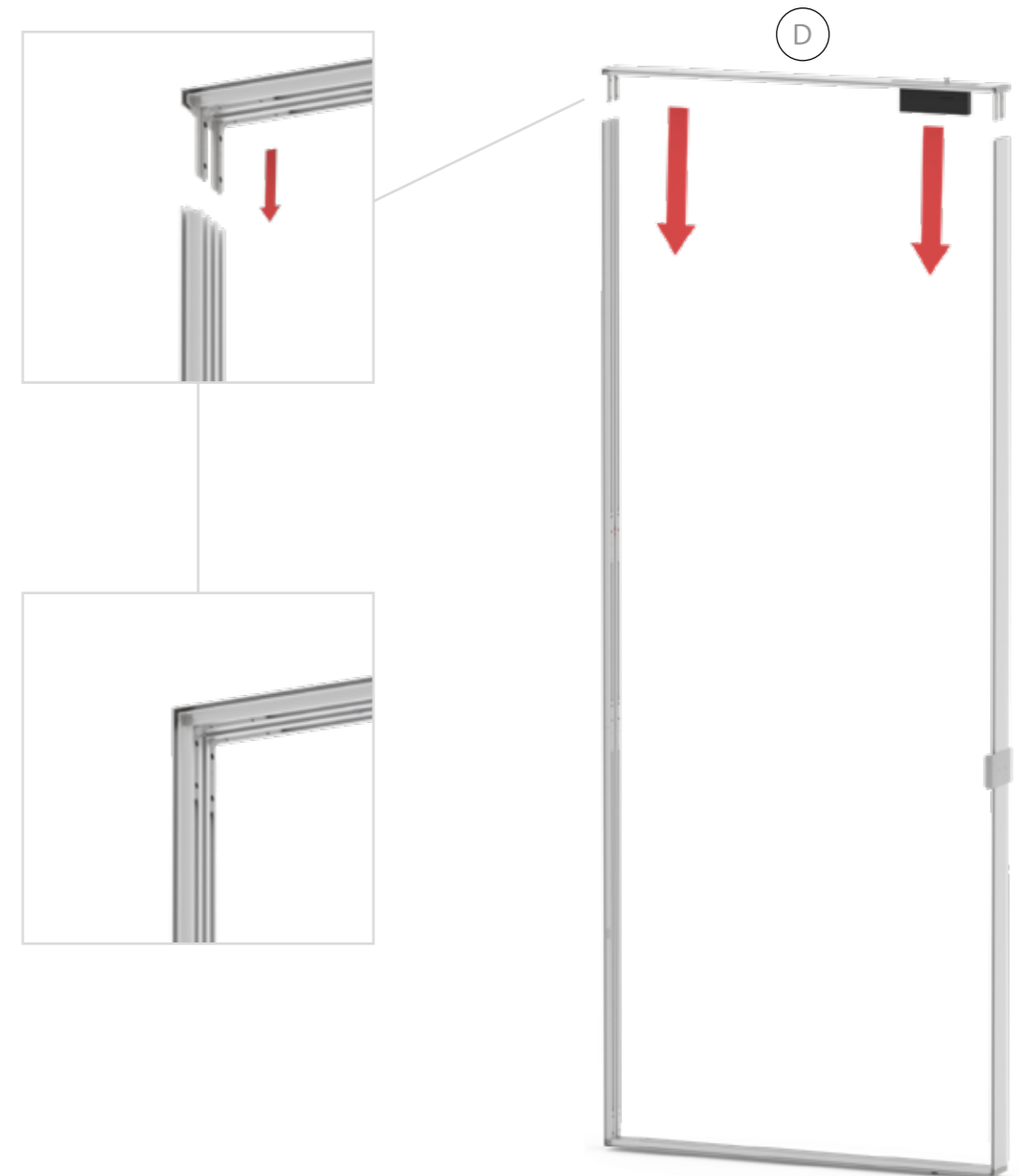


TÜR/DOOR

4.

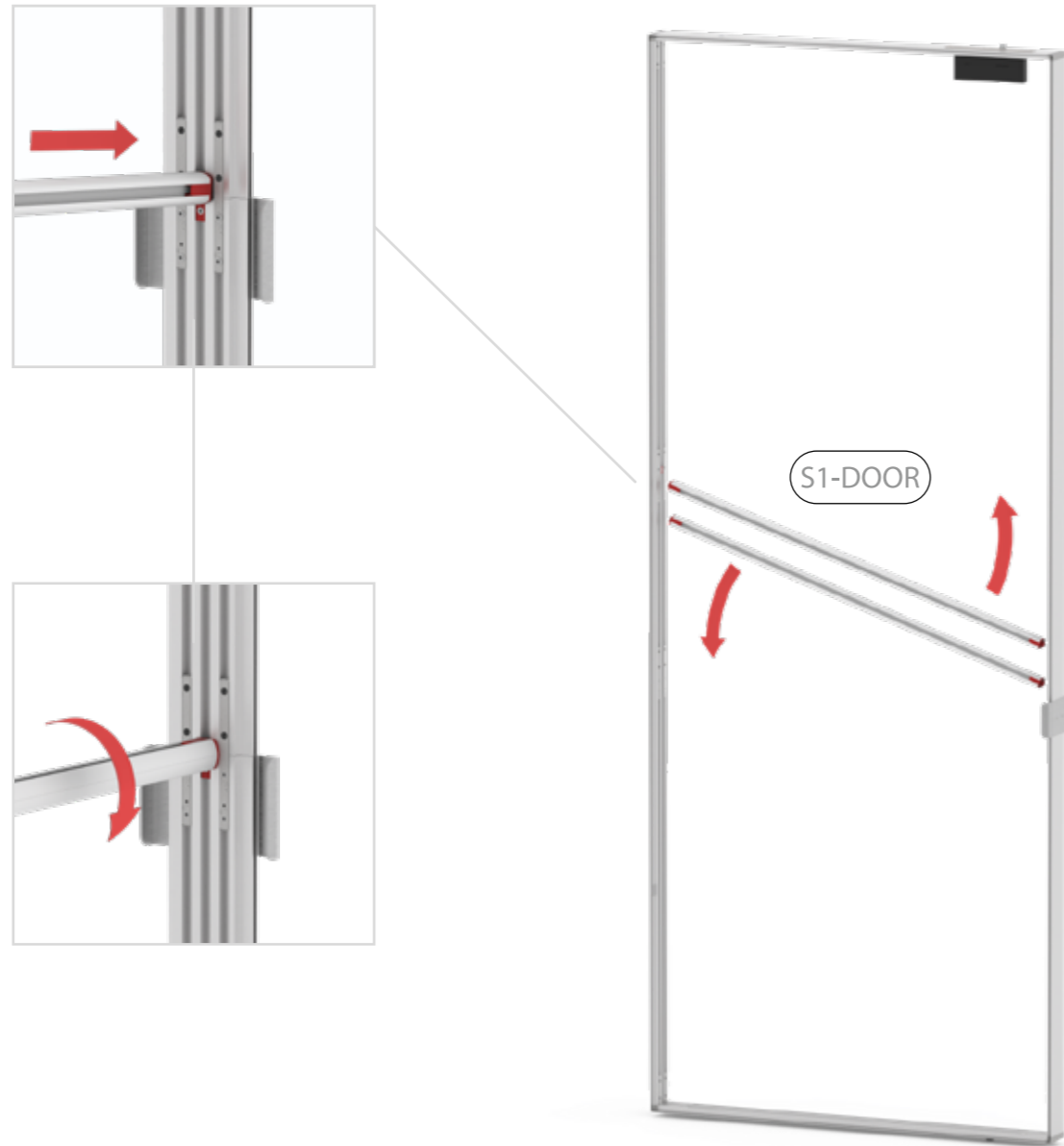


5.

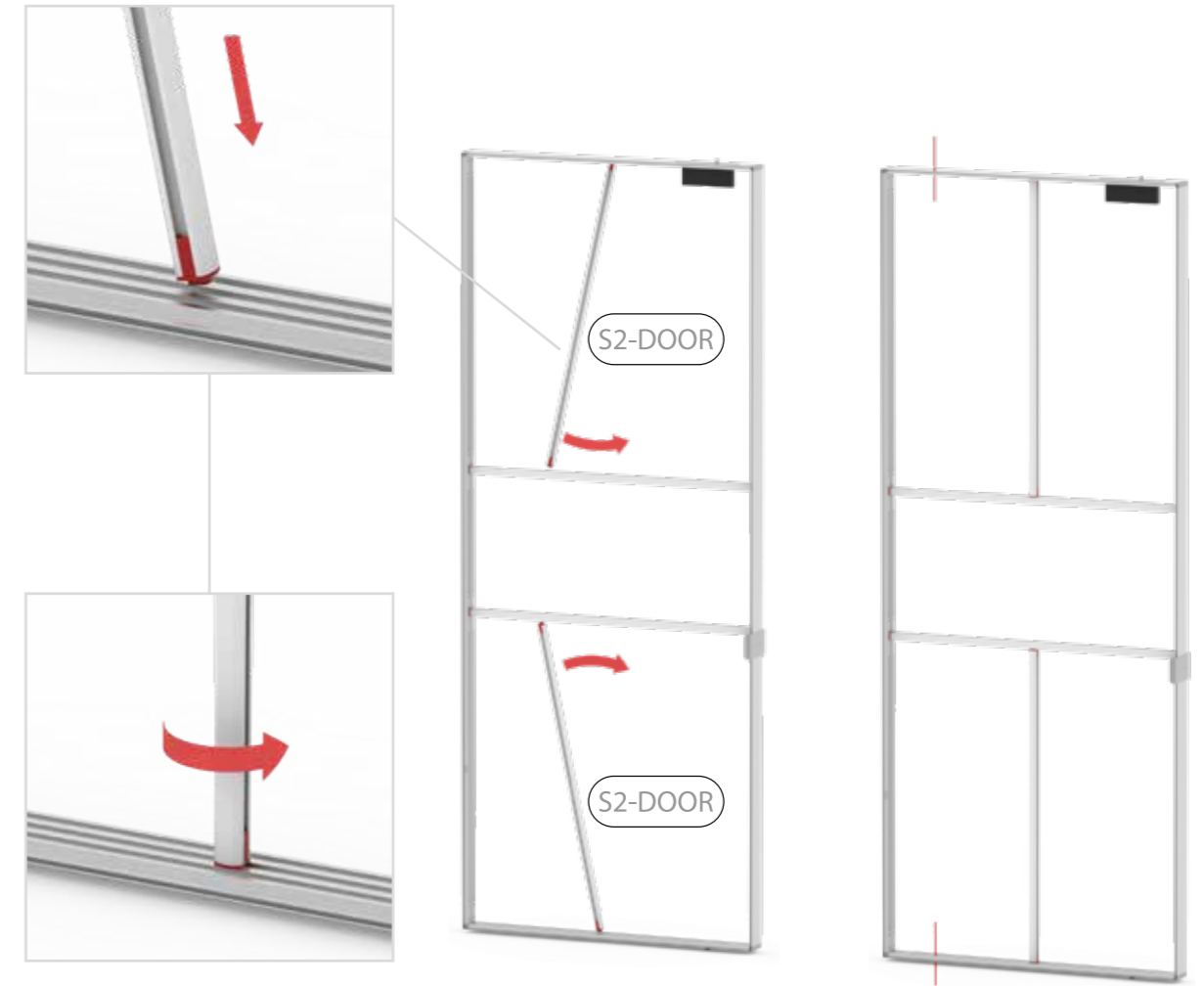


TÜR/DOOR

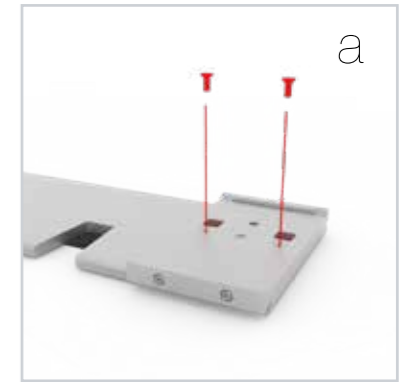
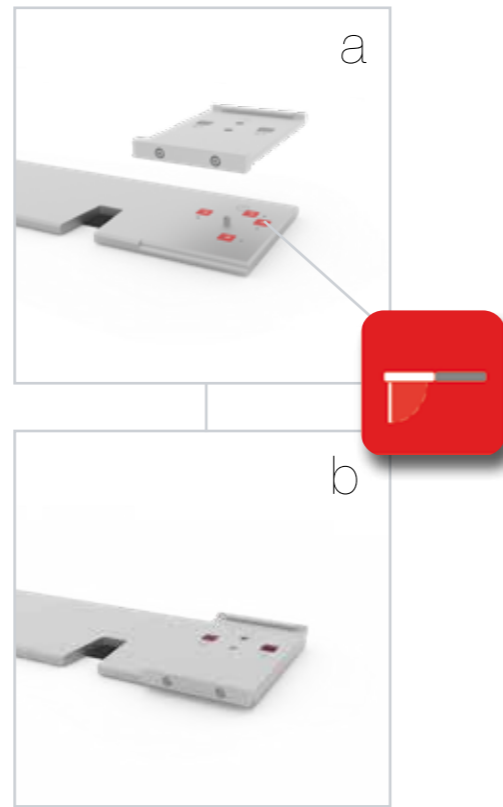
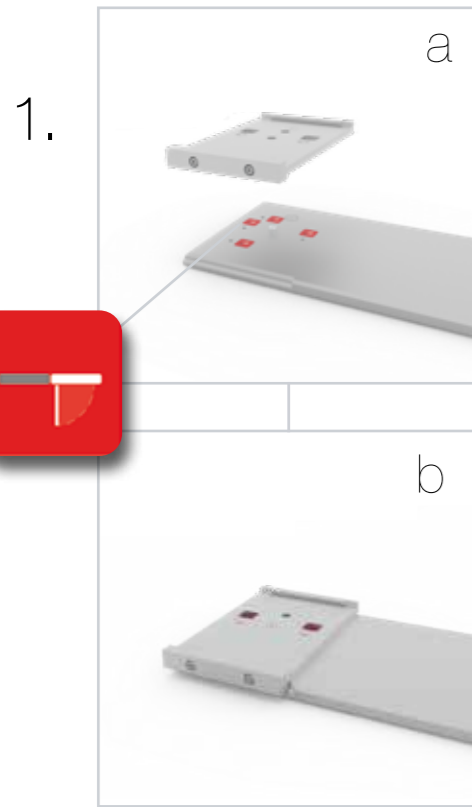
6.



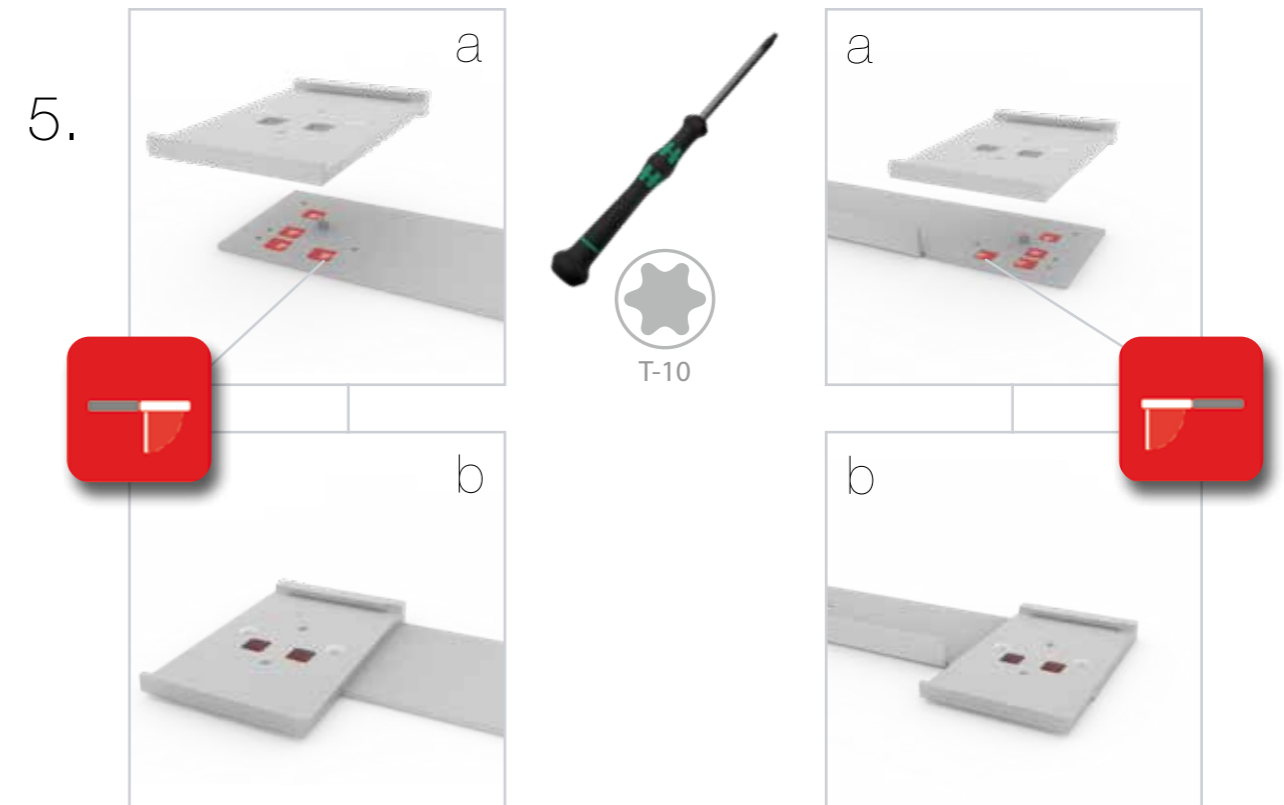
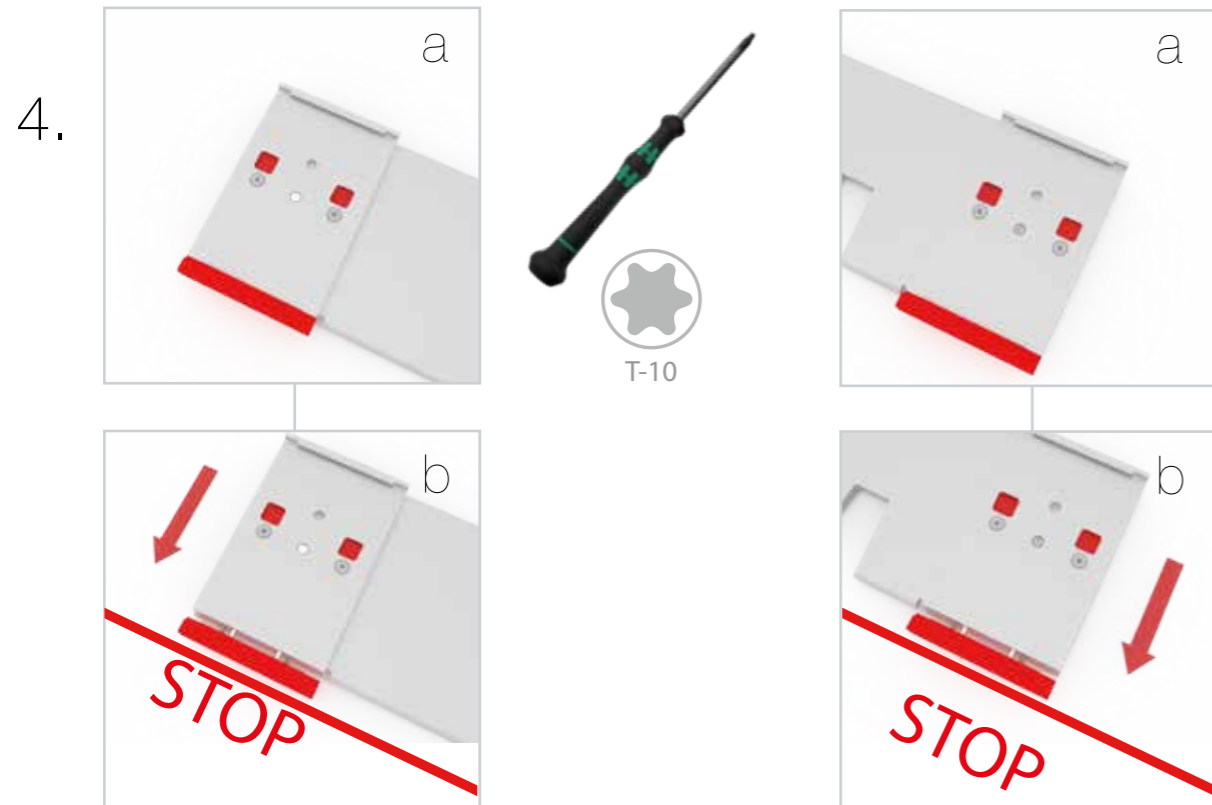
7.



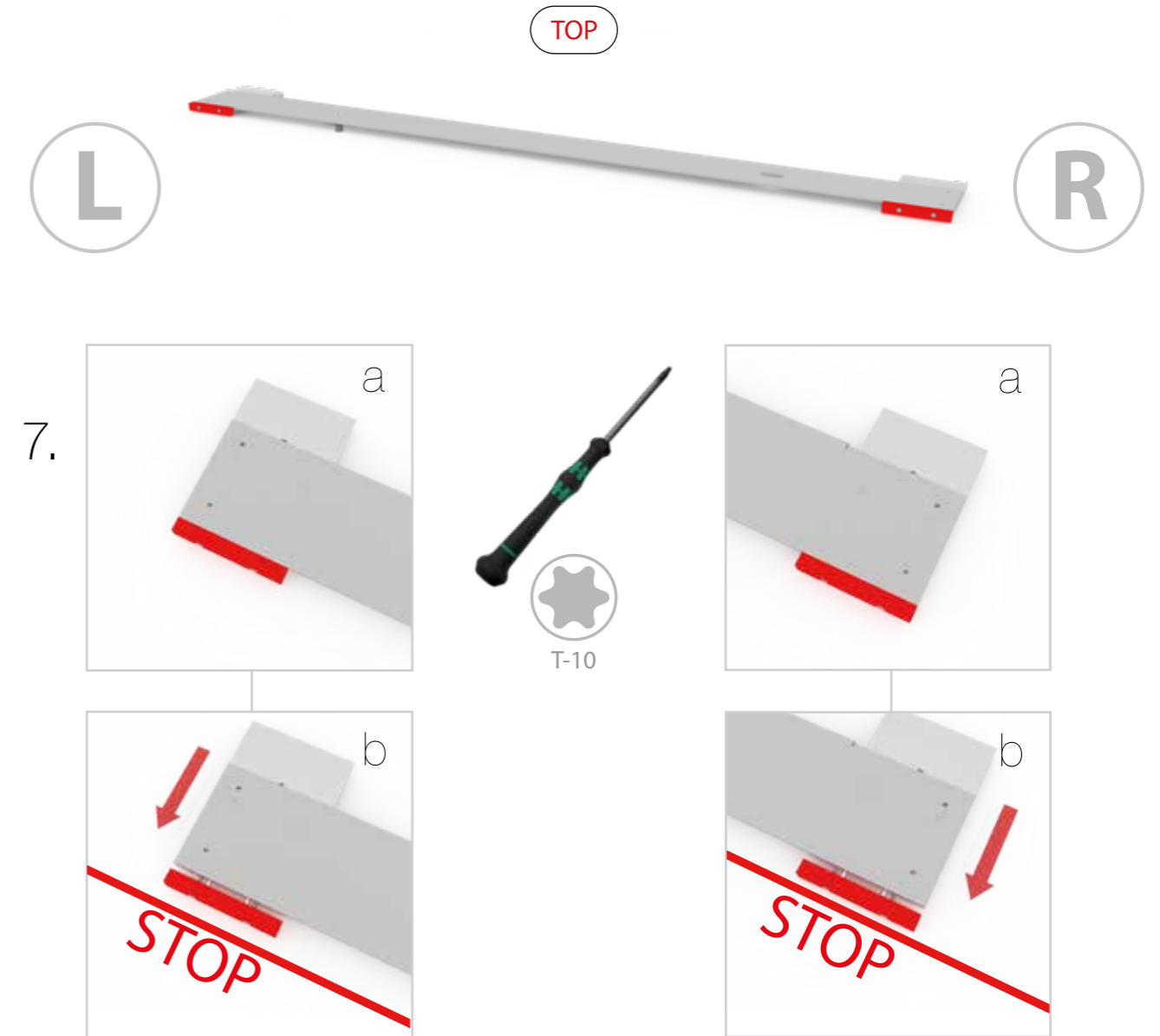
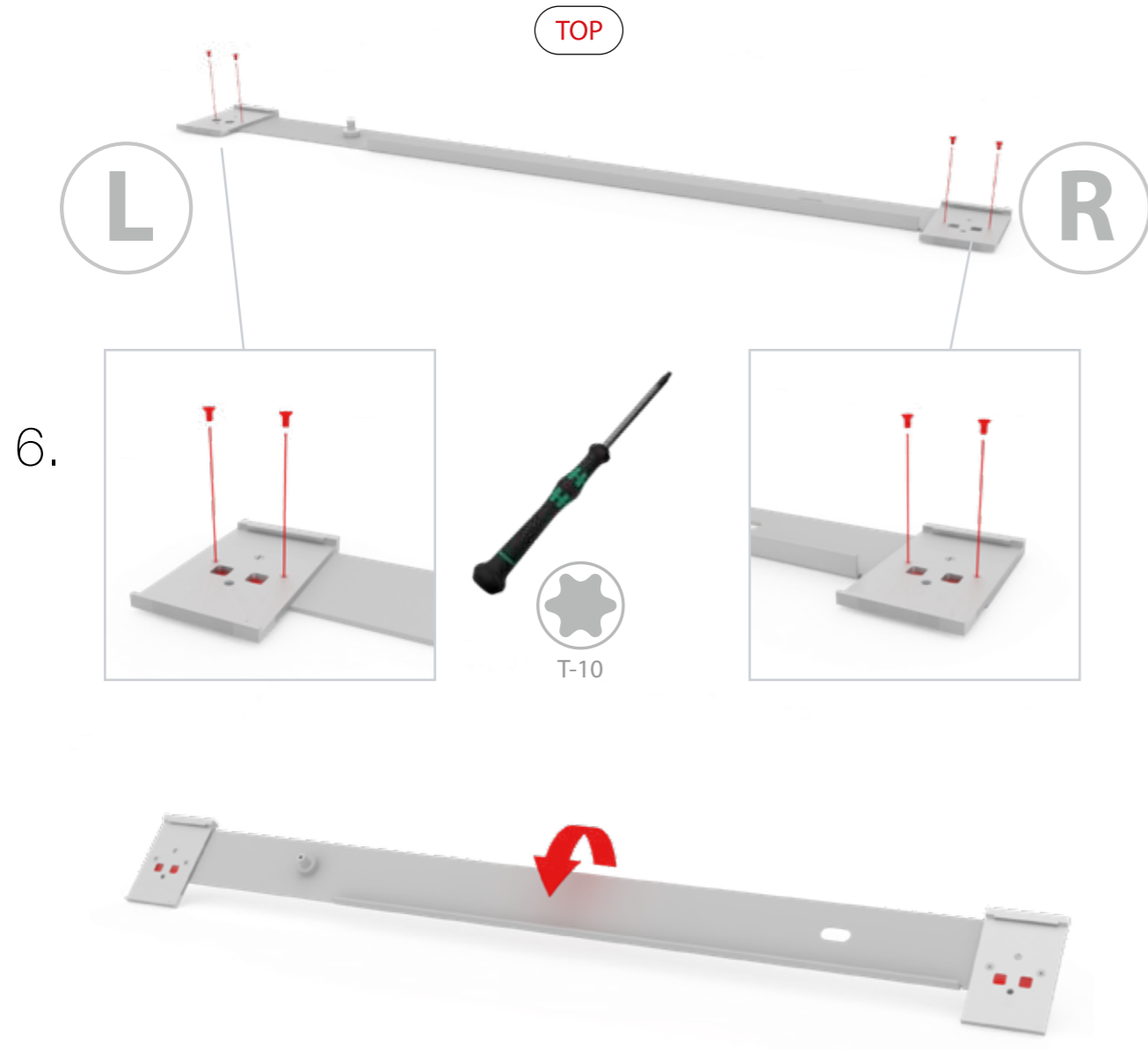
GERADE VERSION/STRAIGHT VERSION



GERADE VERSION/STRAIGHT VERSION

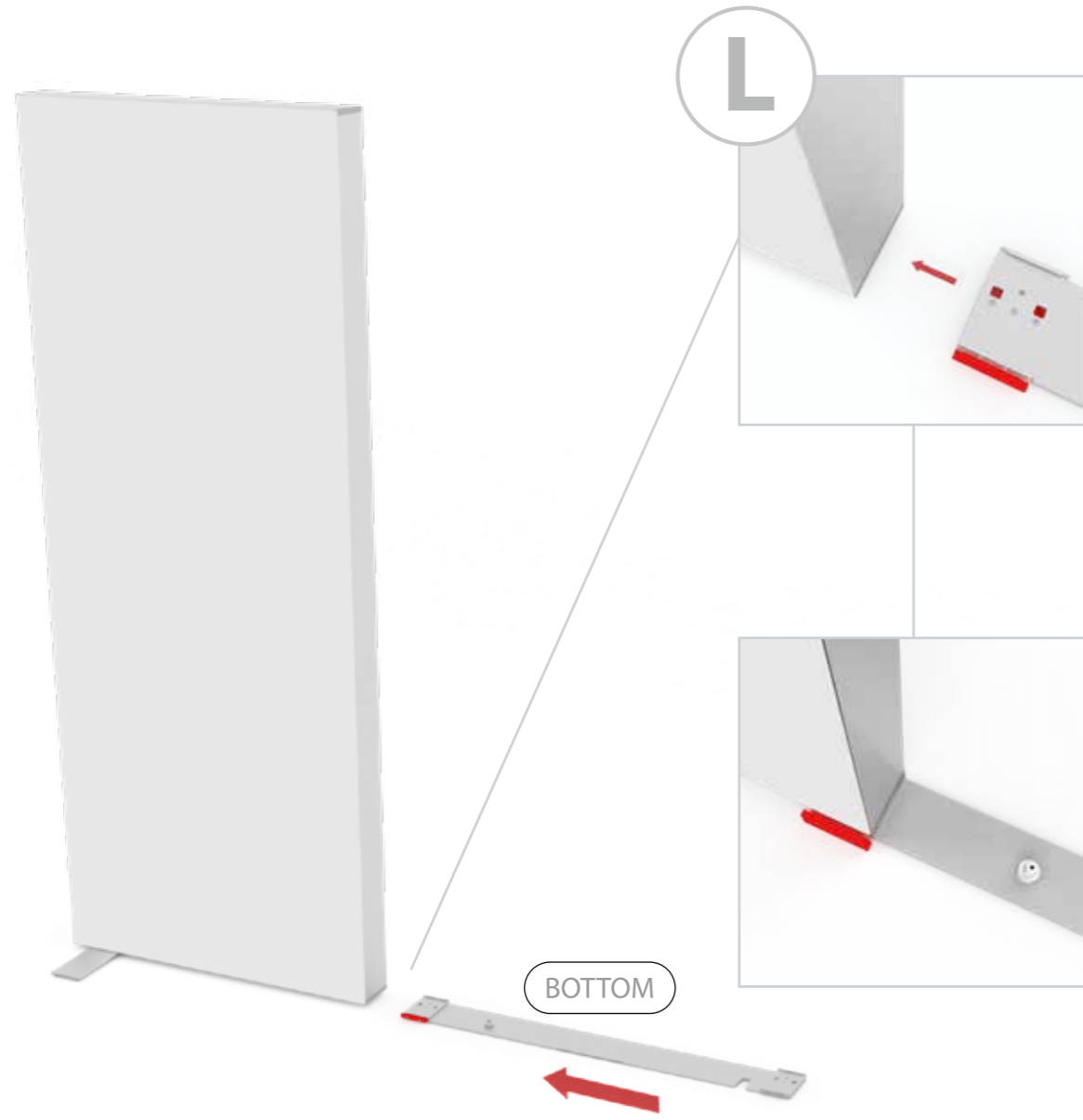


GERADE VERSION/STRAIGHT VERSION

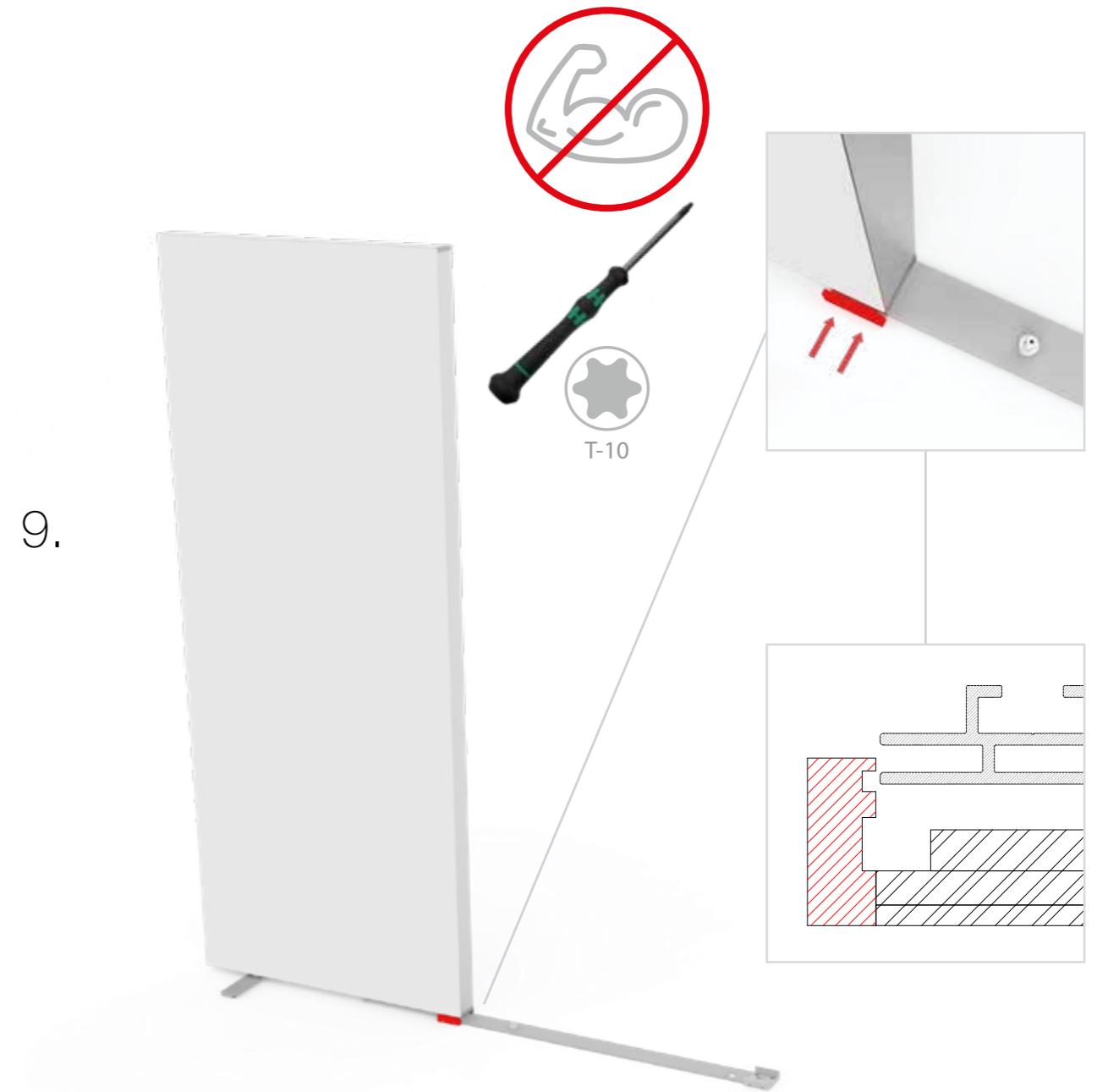


GERADE VERSION/STRAIGHT VERSION

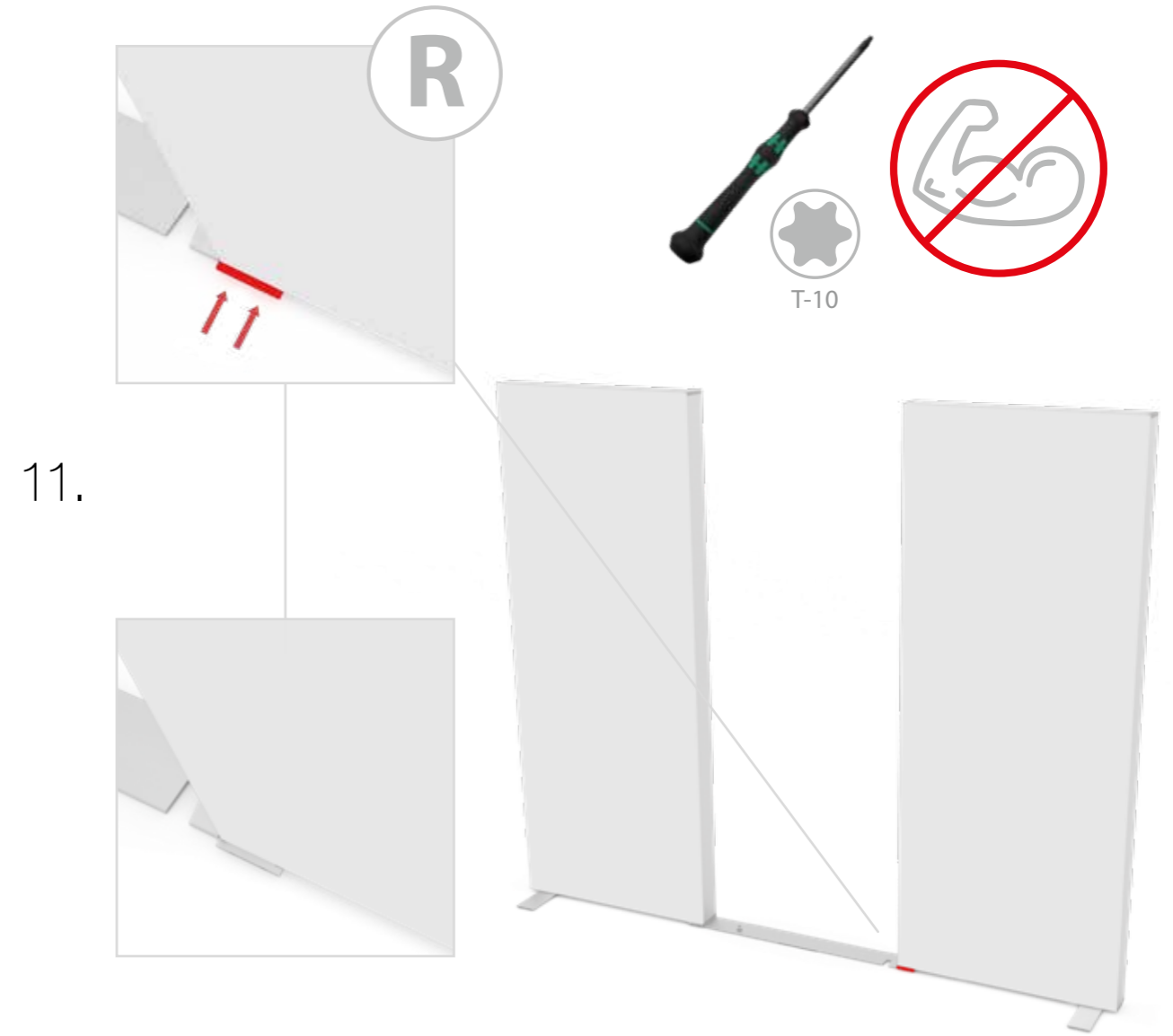
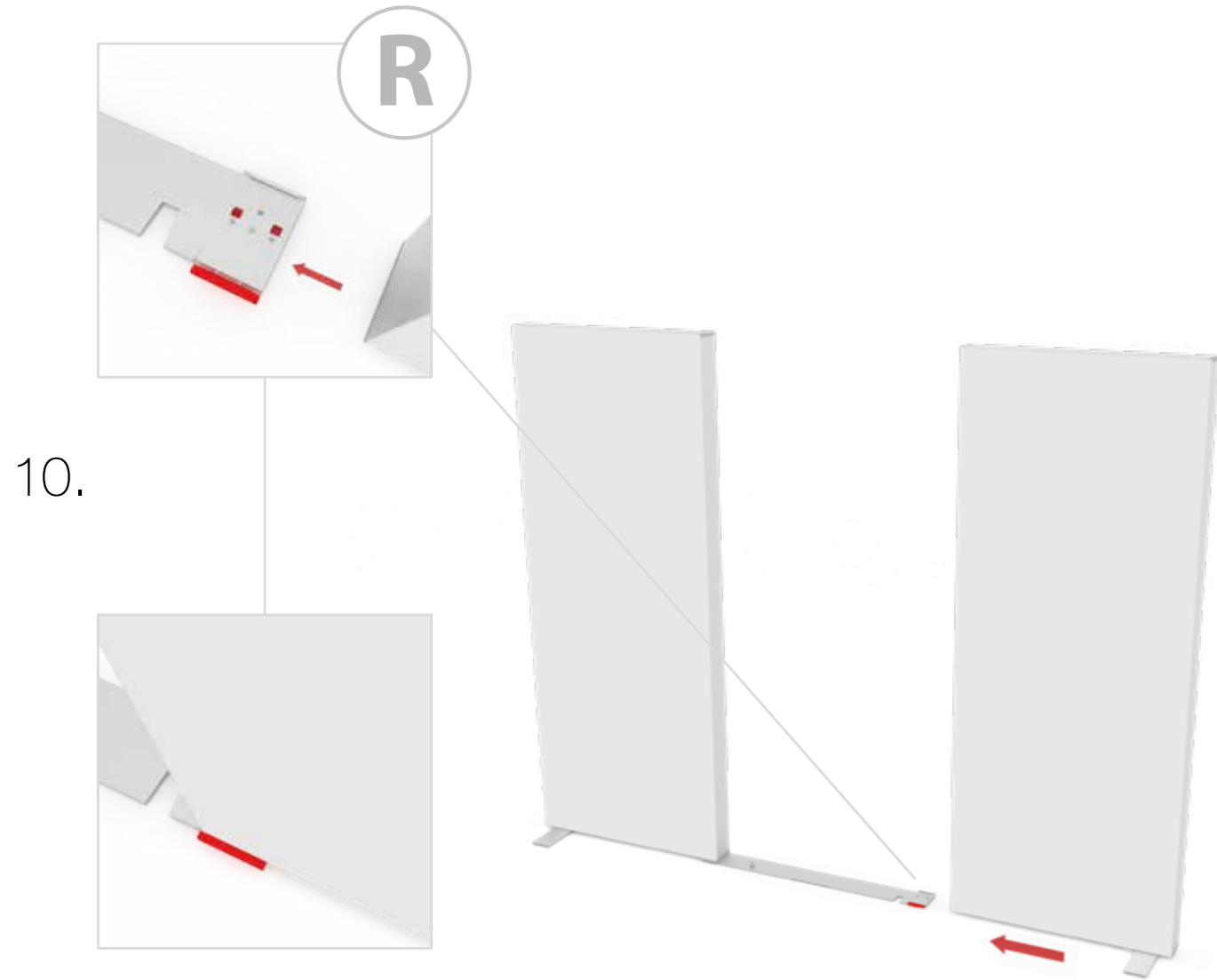
8.



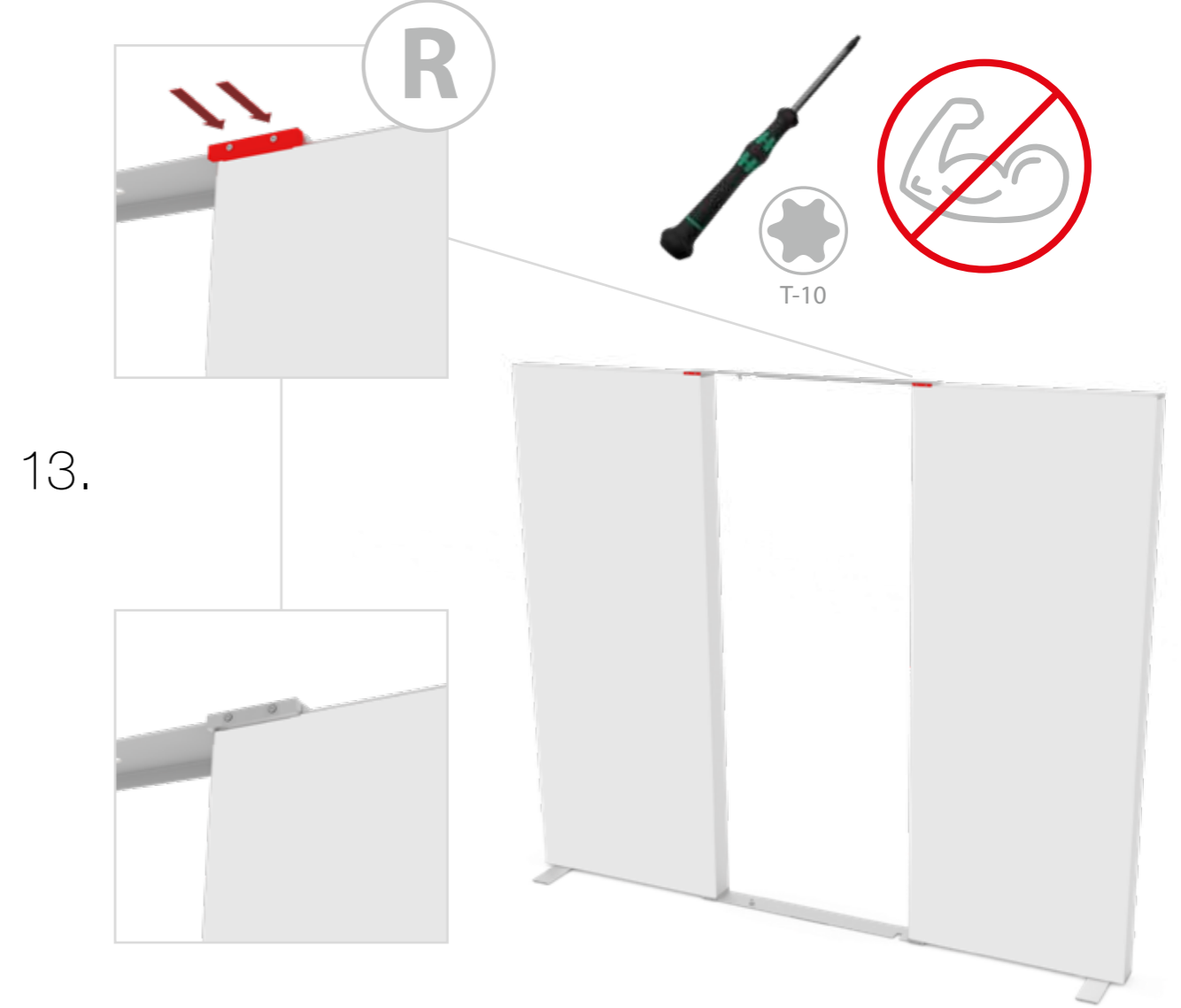
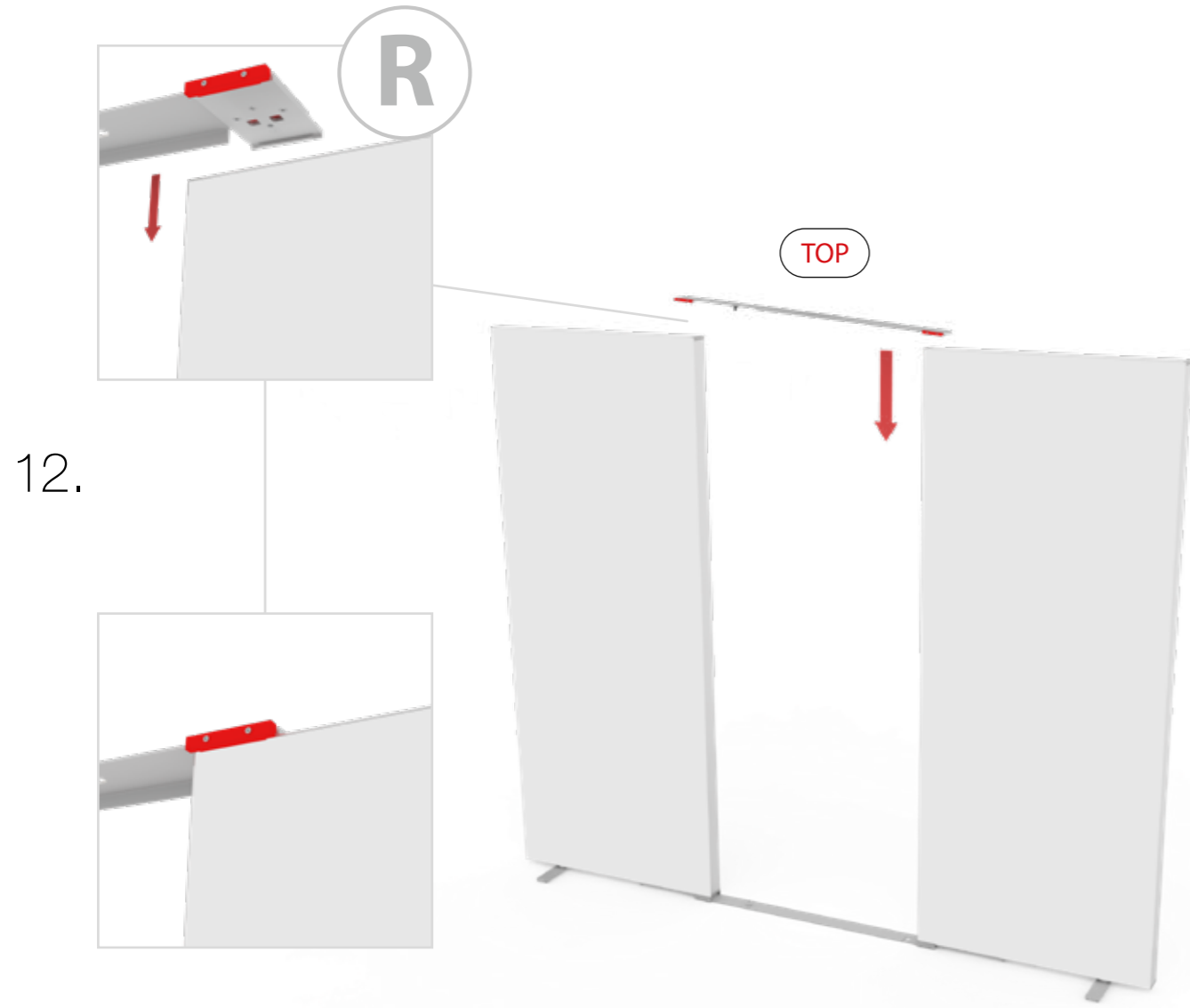
9.



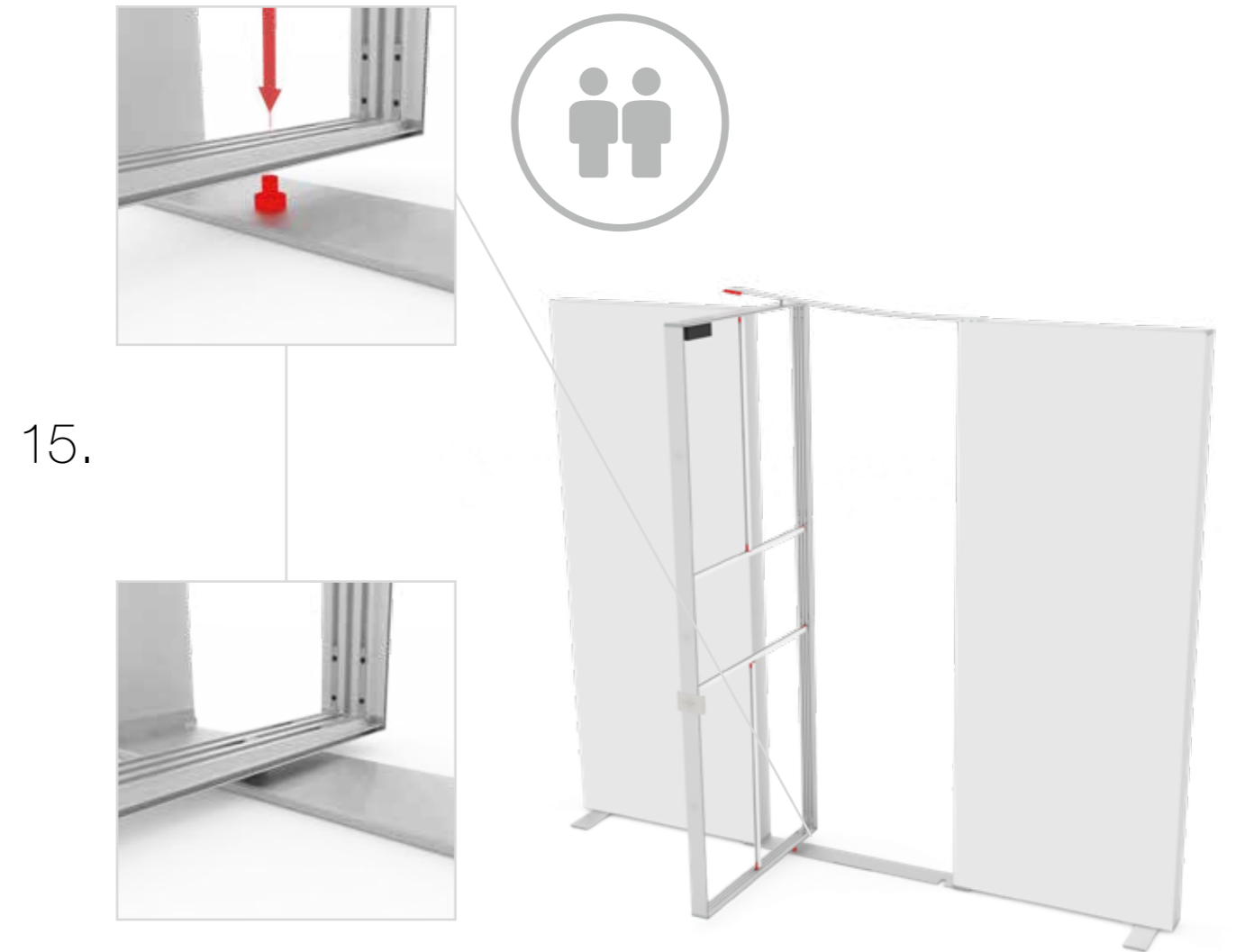
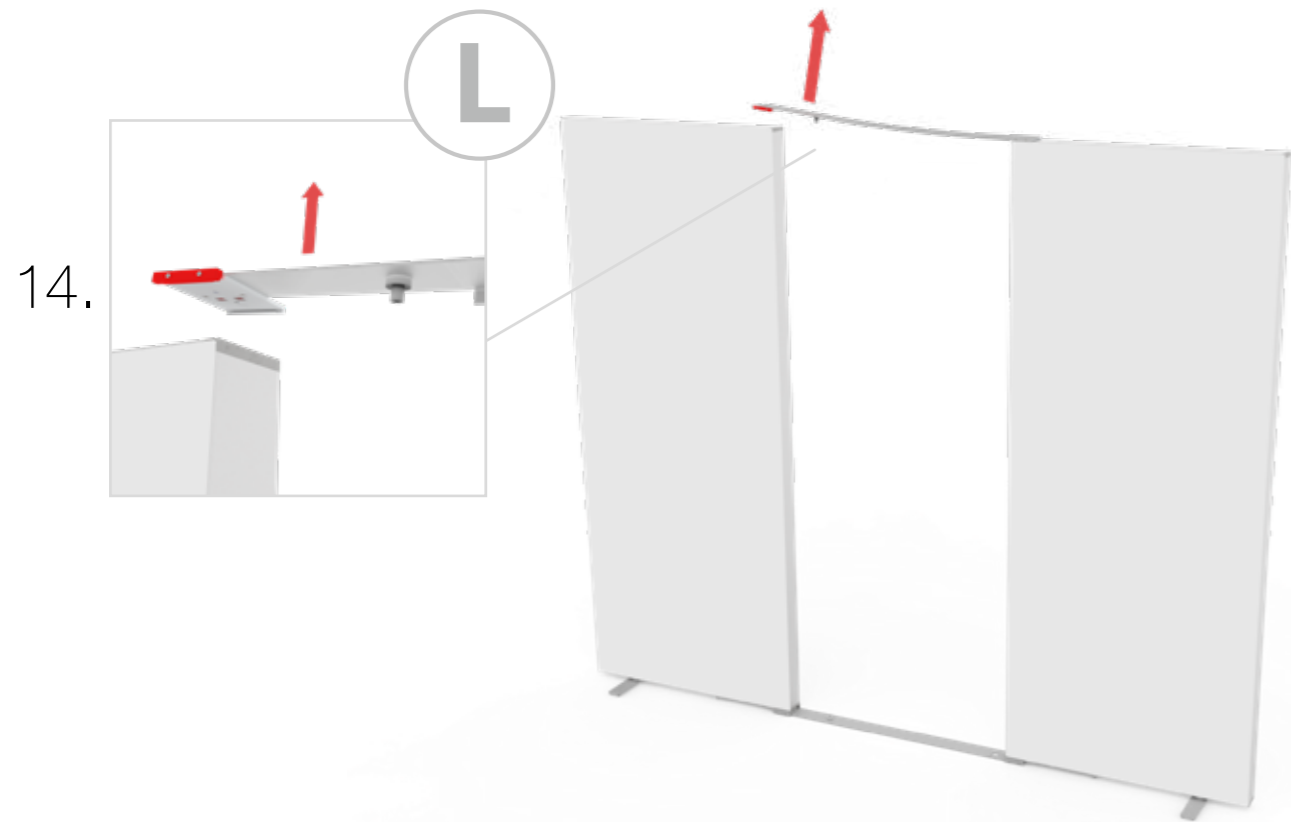
GERADE VERSION/STRAIGHT VERSION



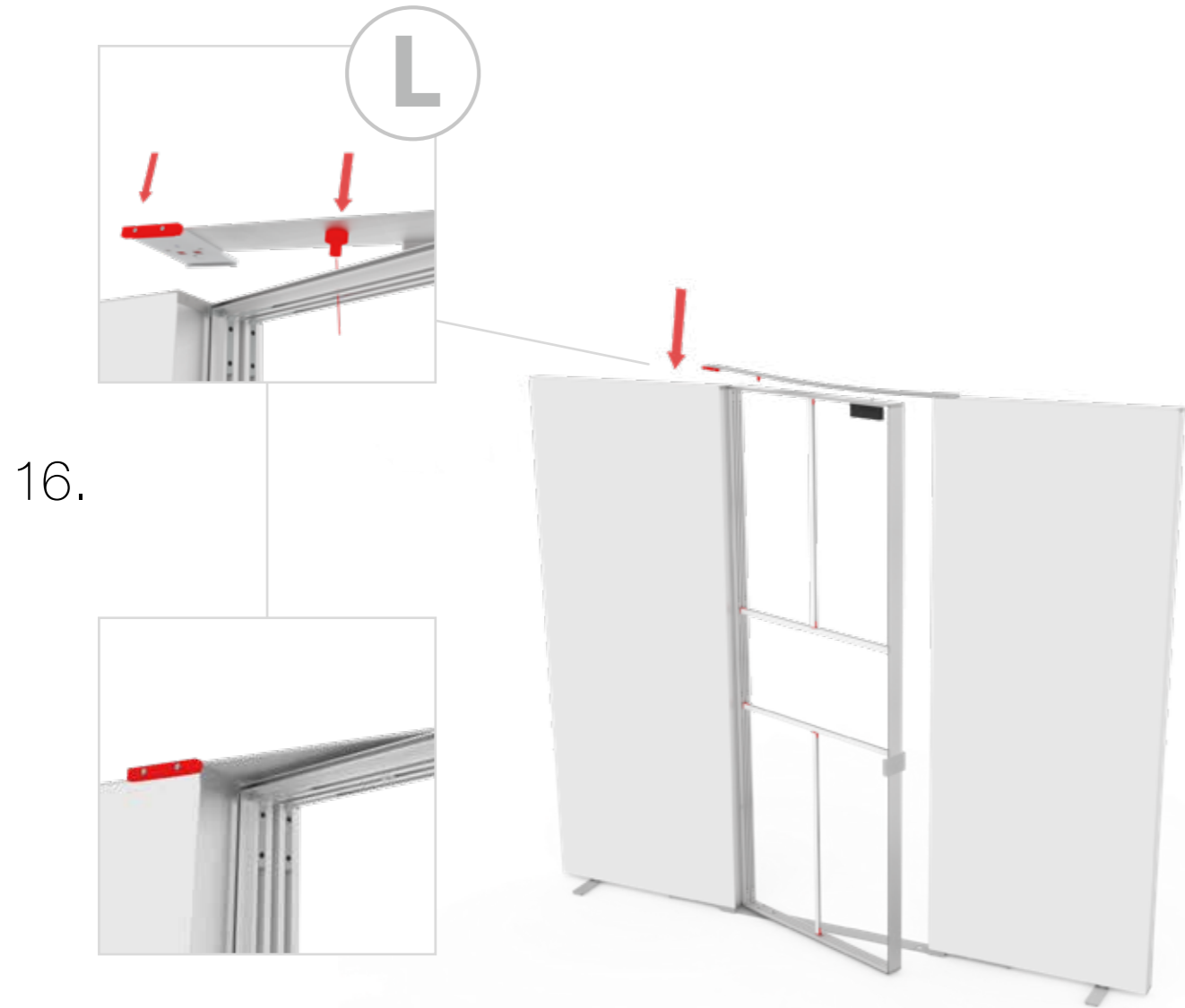
GERADE VERSION/STRAIGHT VERSION



GERADE VERSION/STRAIGHT VERSION

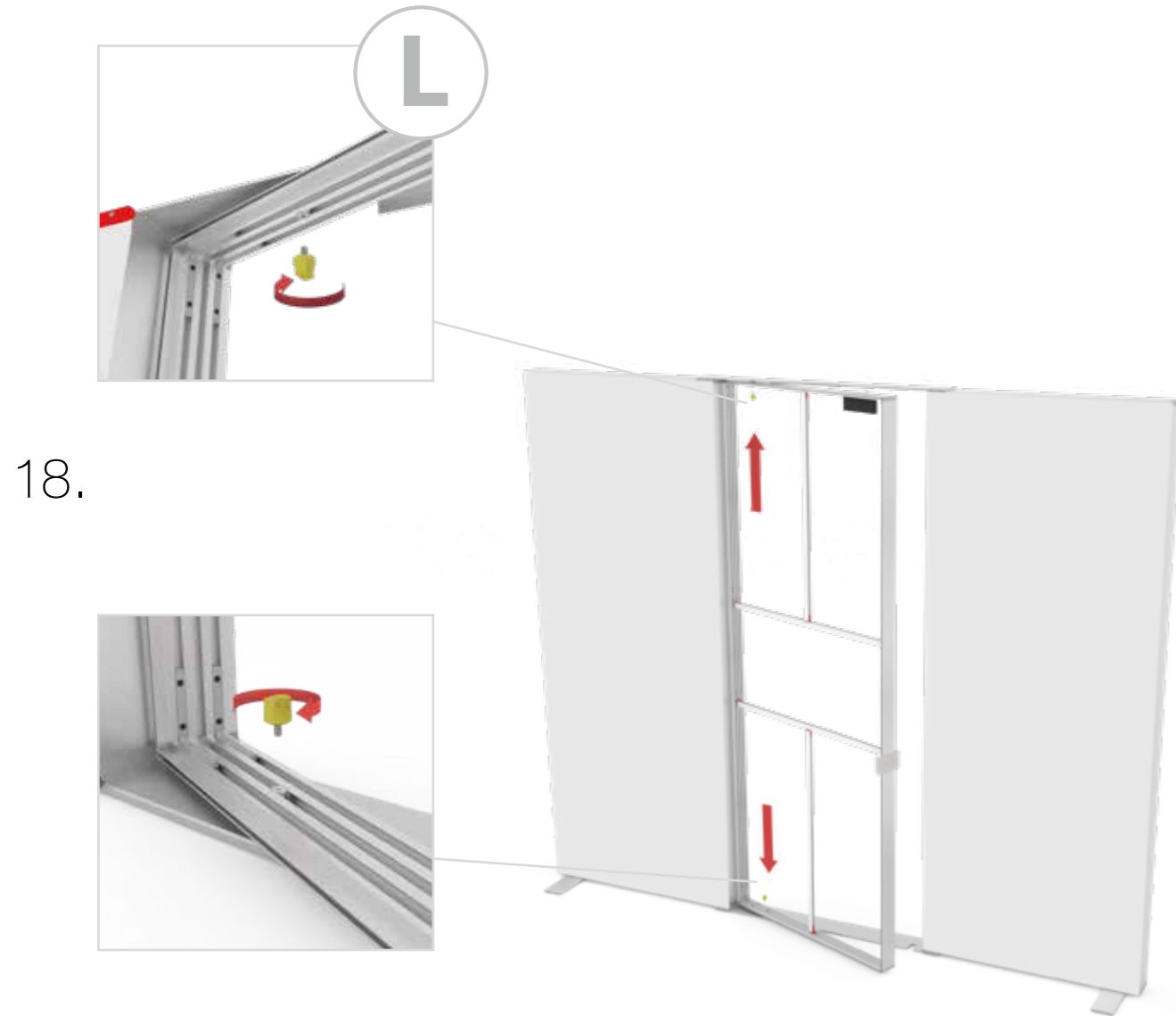


GERADE VERSION/STRAIGHT VERSION



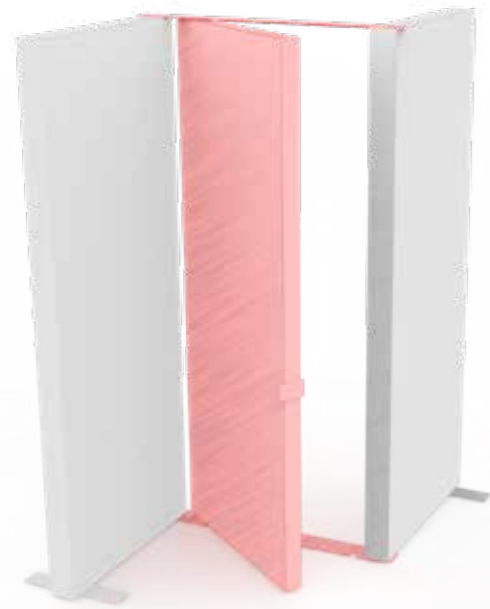
GERADE VERSION/STRAIGHT VERSION

GERADE VERSION/STRAIGHT VERSION



2 SEK. DRÜCKEN
PRESS FOR 2 SEC.

ECK- & KOJENVERSION/CORNER & STORAGE VERSION



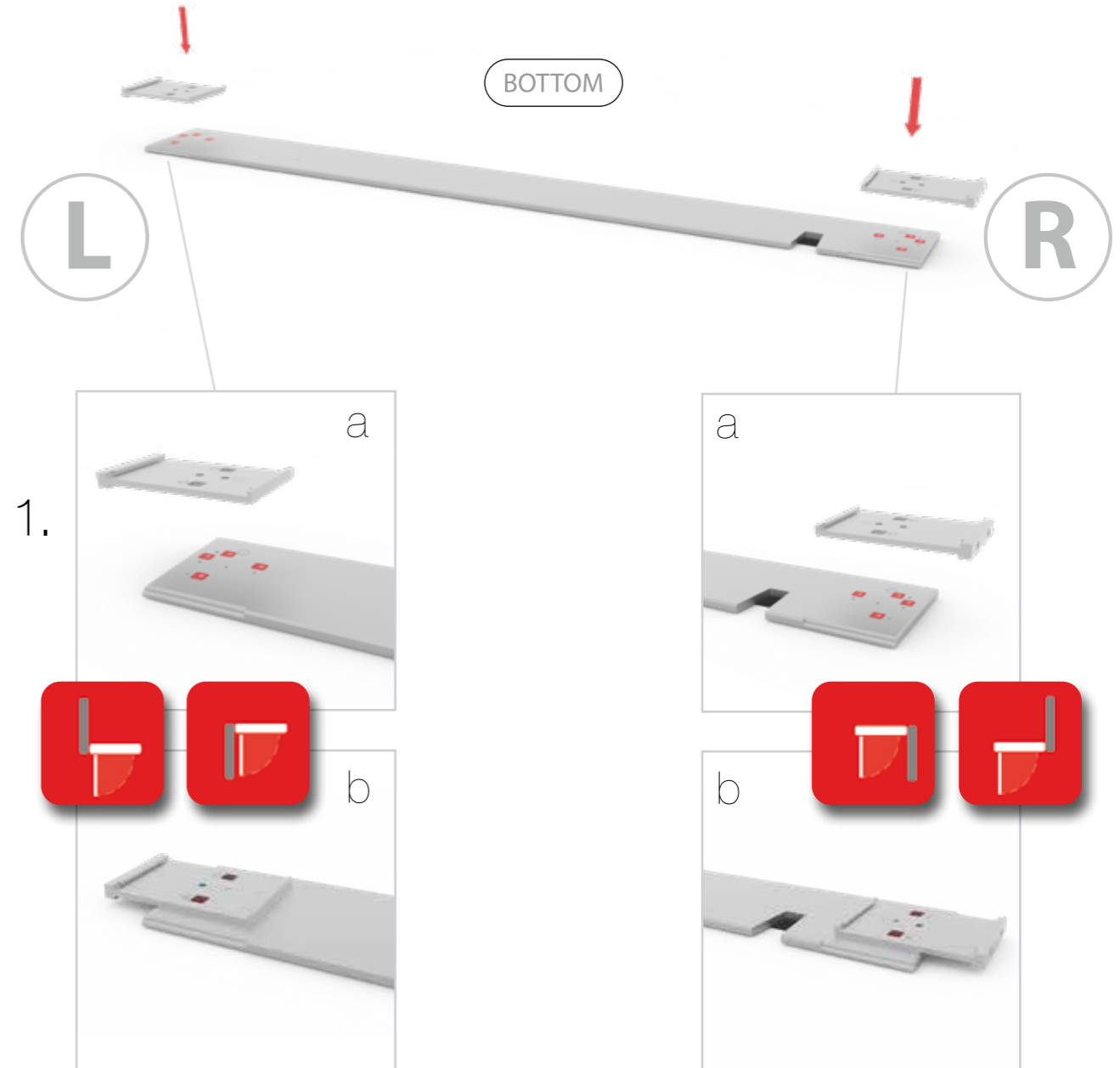
corner-L



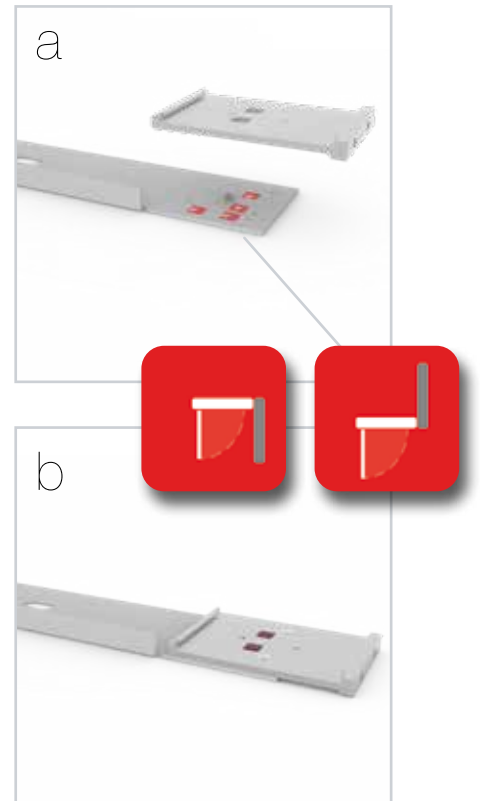
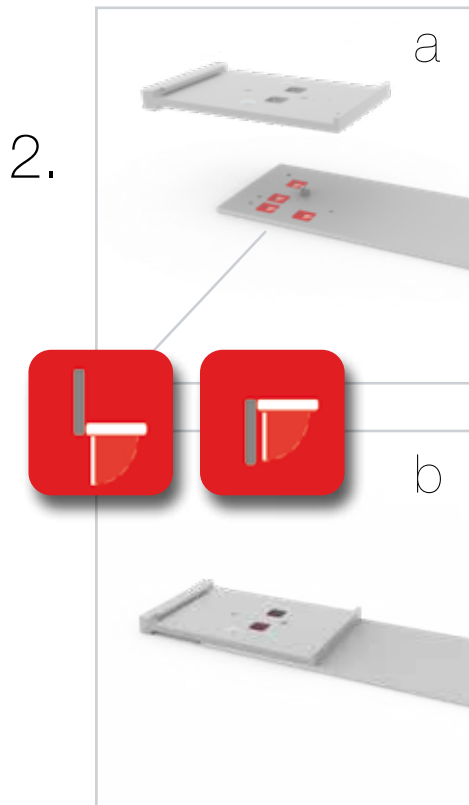
corner-R



storage room



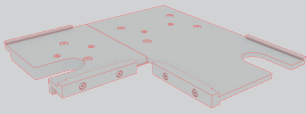
ECK- & KOJENVERSION/CORNER & STORAGE VERSION



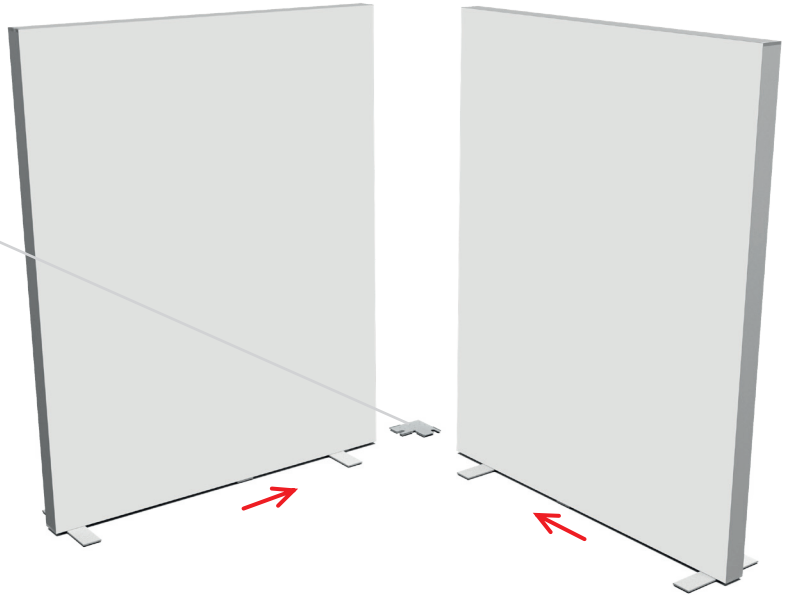
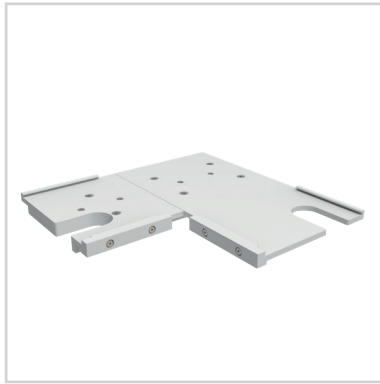
ZUBEHÖR
ACCESSORIES



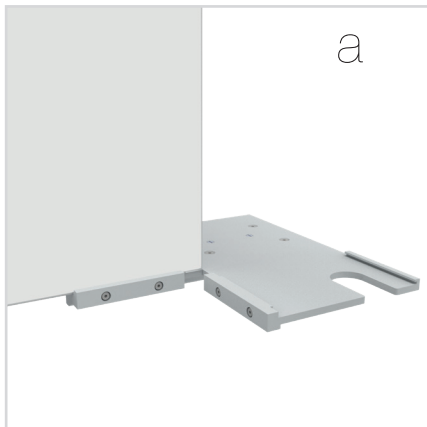
BIG LED UP



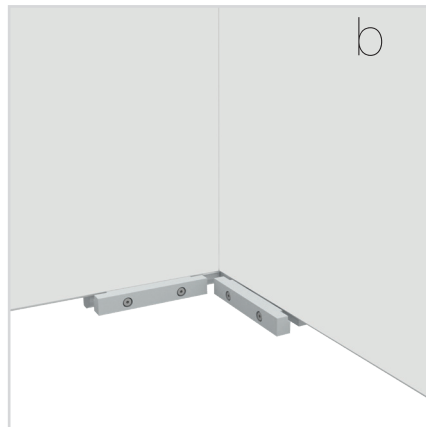
BLUP-conn-90



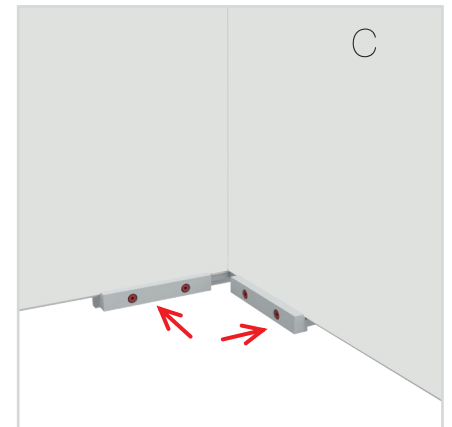
1.



a

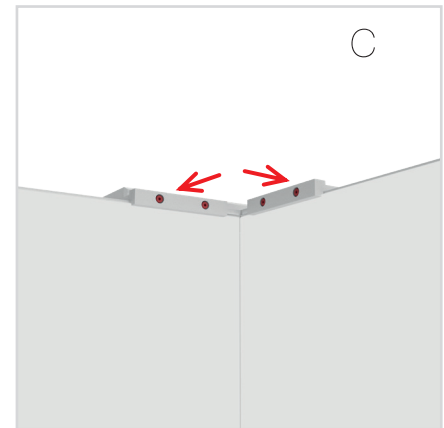
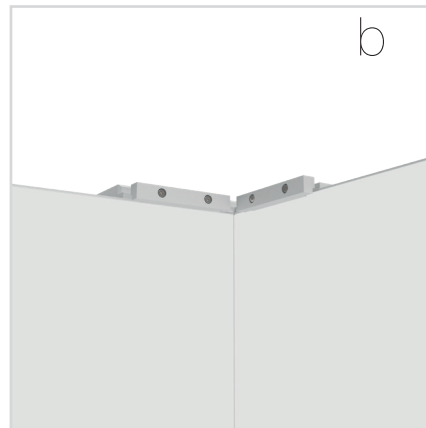
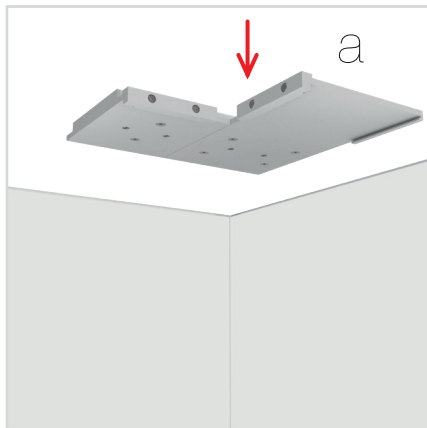
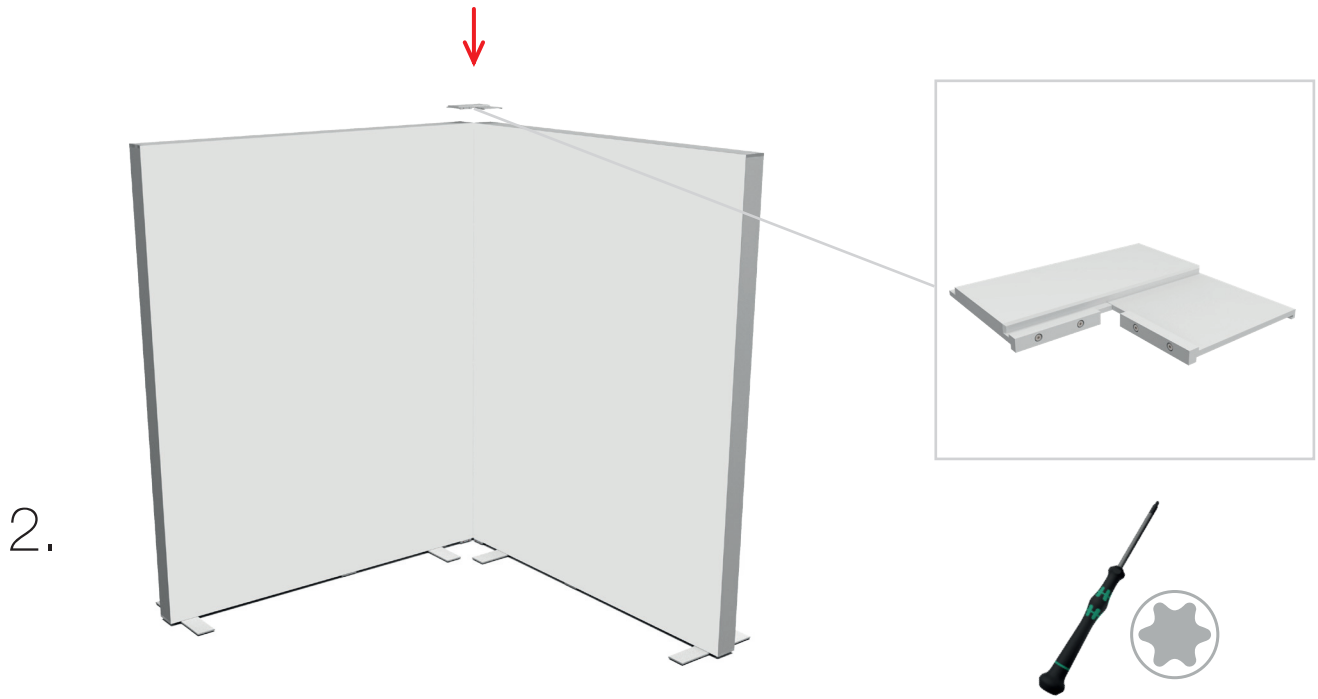


b



c

ECK KLEMME/ CORNER CLAMP

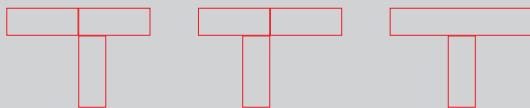
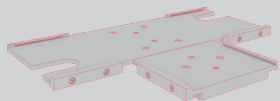




ZUBEHÖR
ACCESSORIES

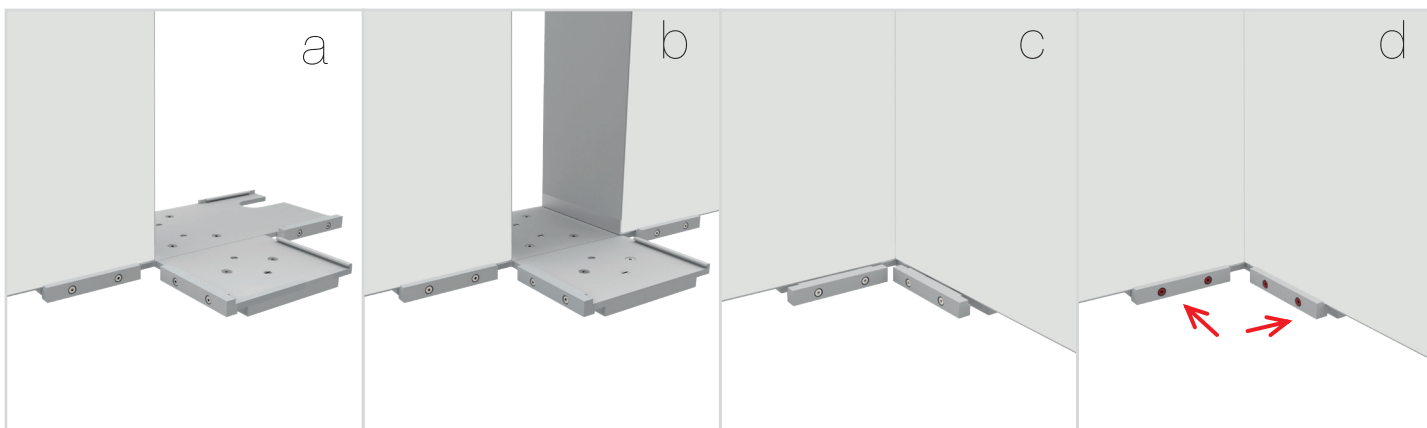
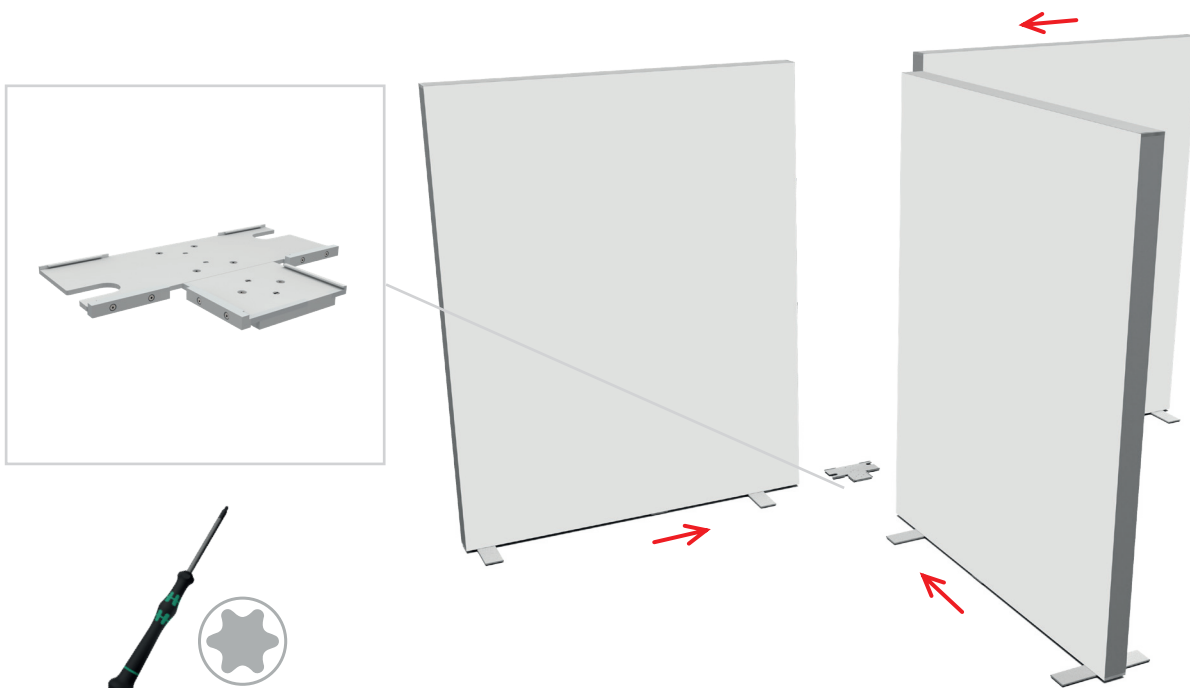


BIG LED UP

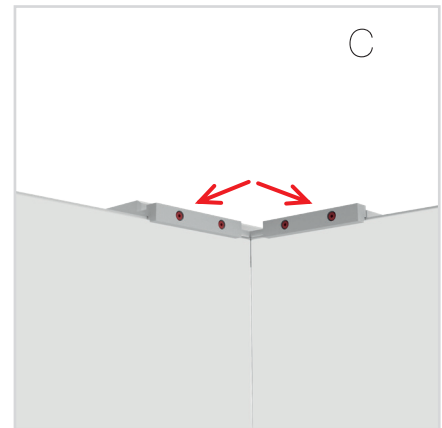
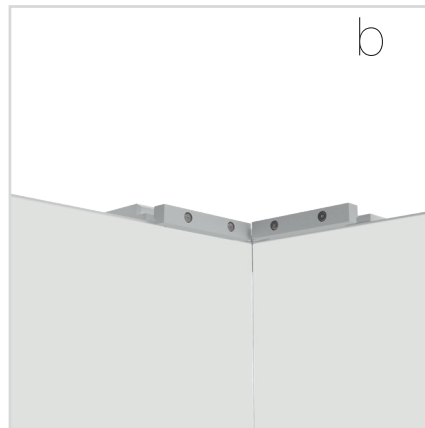
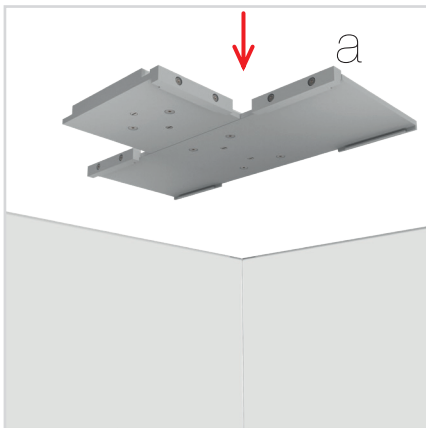
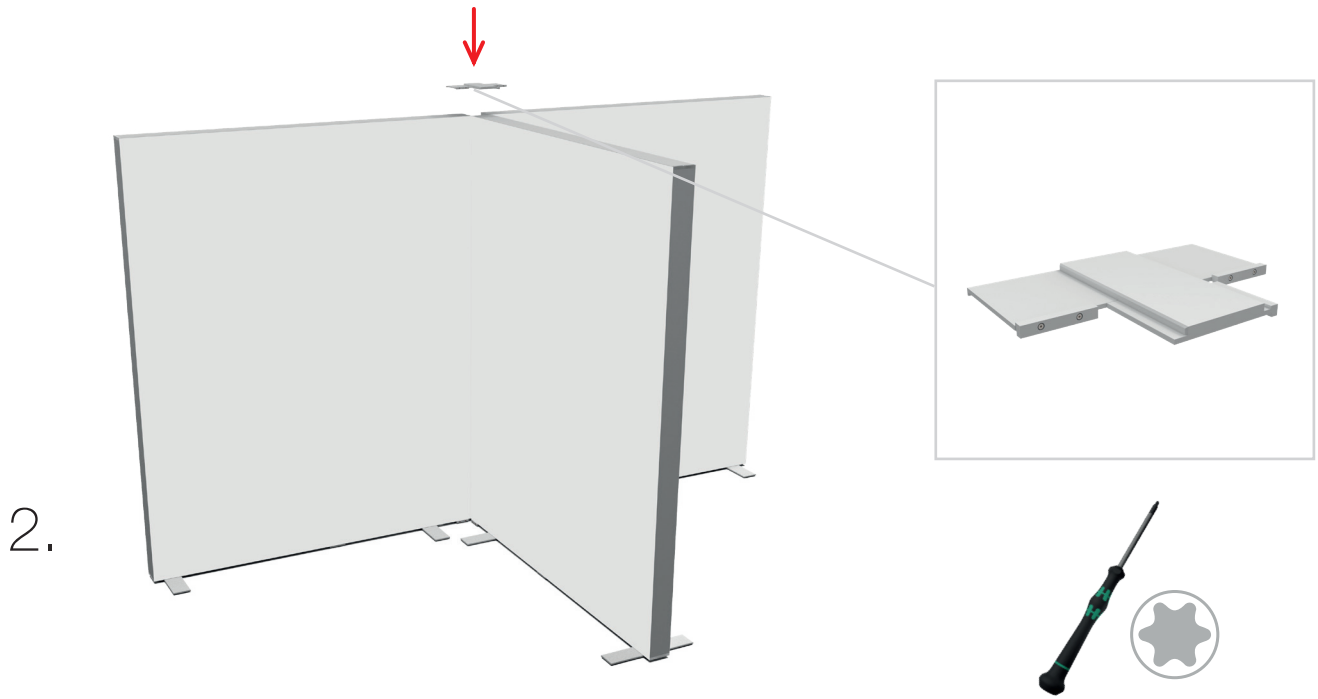


BLUP-conn-T

1.



T-FORM KLEMME/ T-SHAPE CLAMP





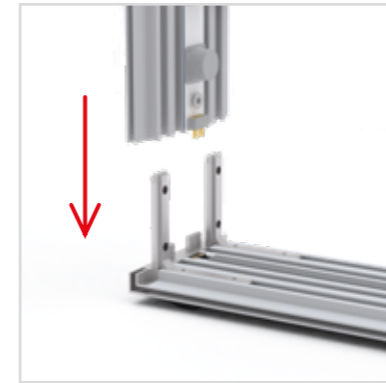
AUFBAUANLEITUNG SETUP INSTRUCTION



COUNTER



1.



(A2)

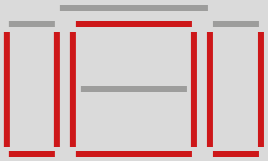
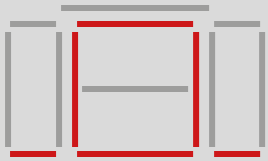
(A4)

(A1)

2.



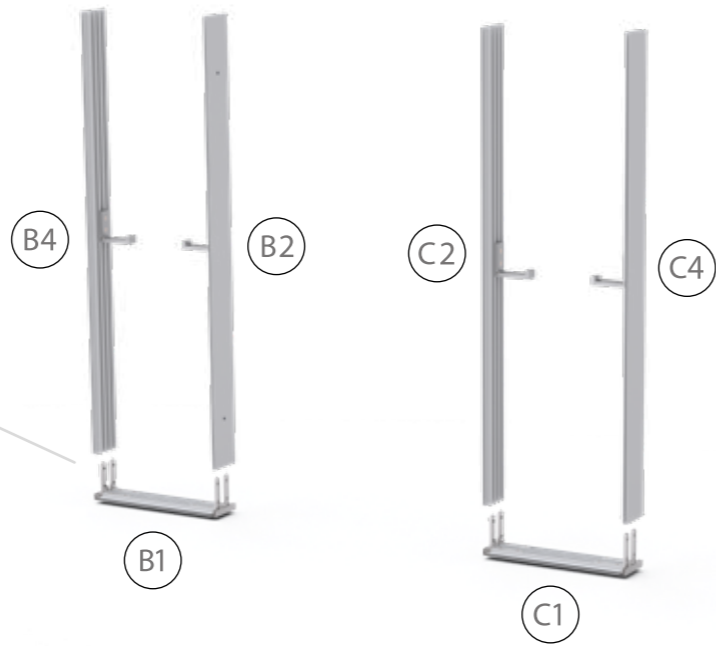
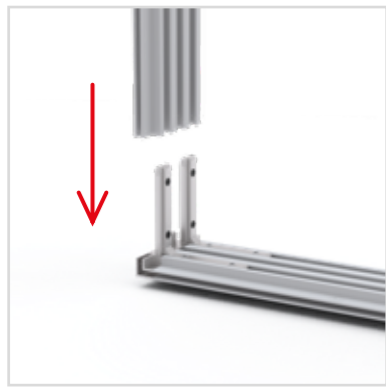
(A3)



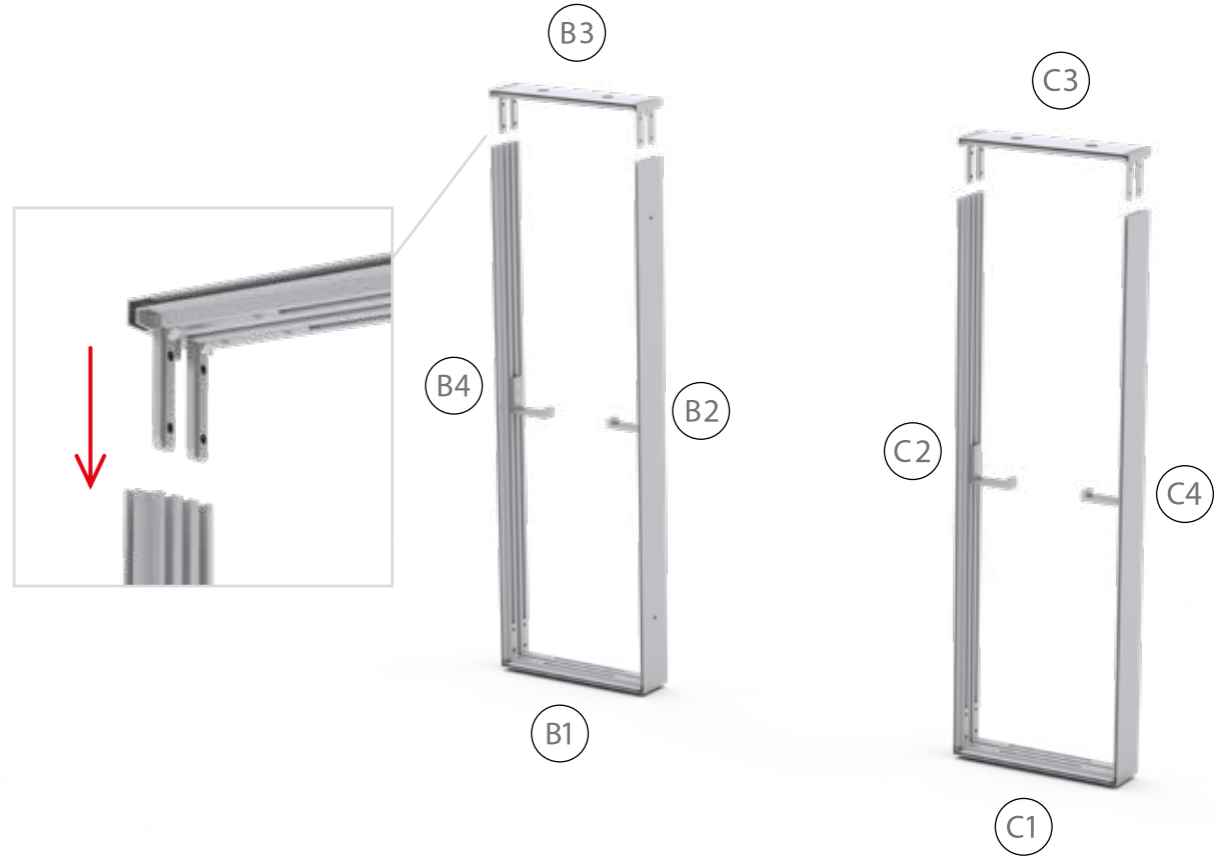
3.

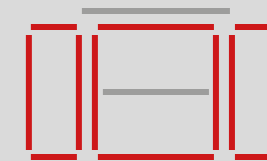
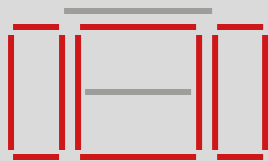


4.

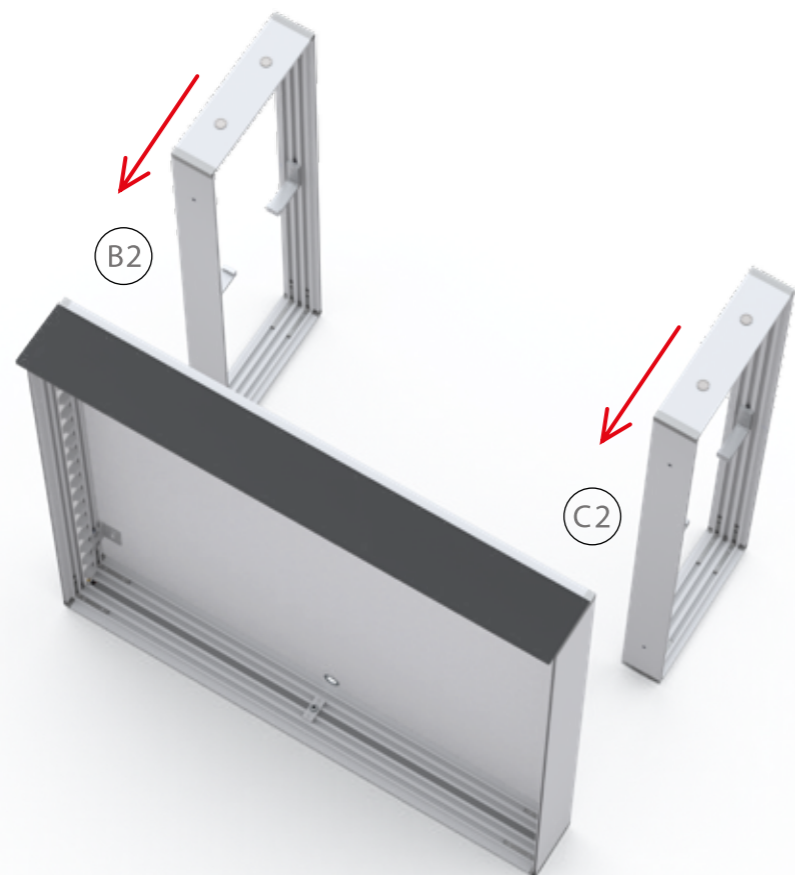


5.

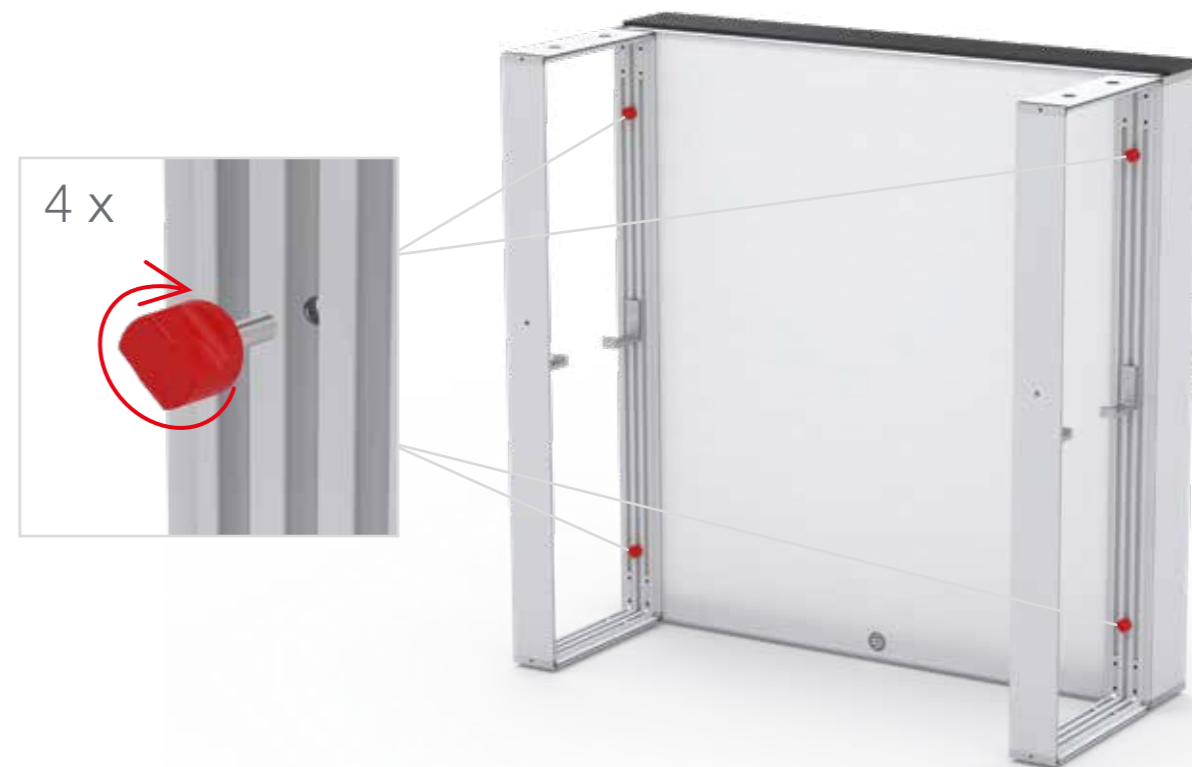


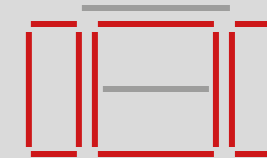


6.

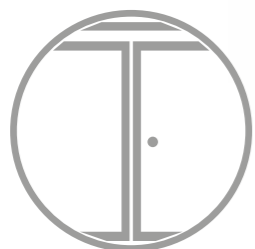


7.





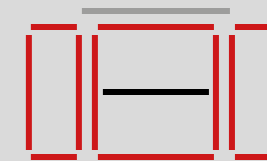
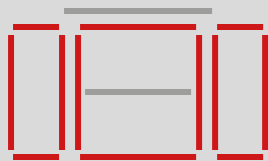
8.



TÜRE / DOOR
S. 50 / P. 50

9.



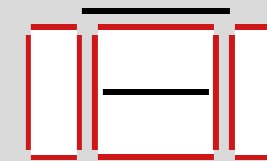
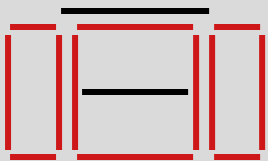


10.



11.





12.



13.

