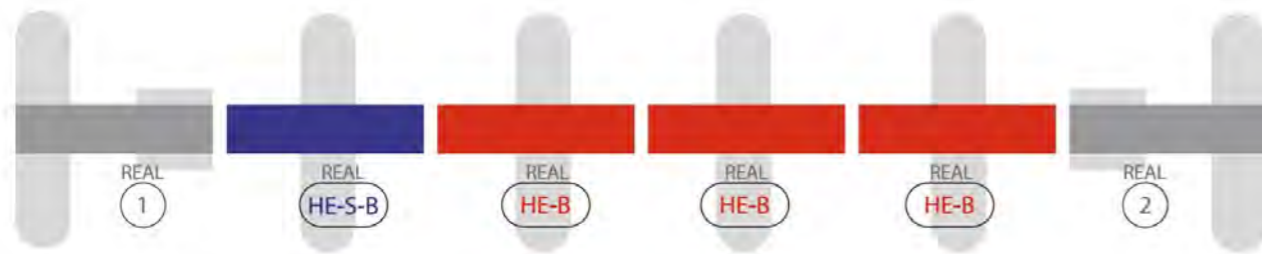
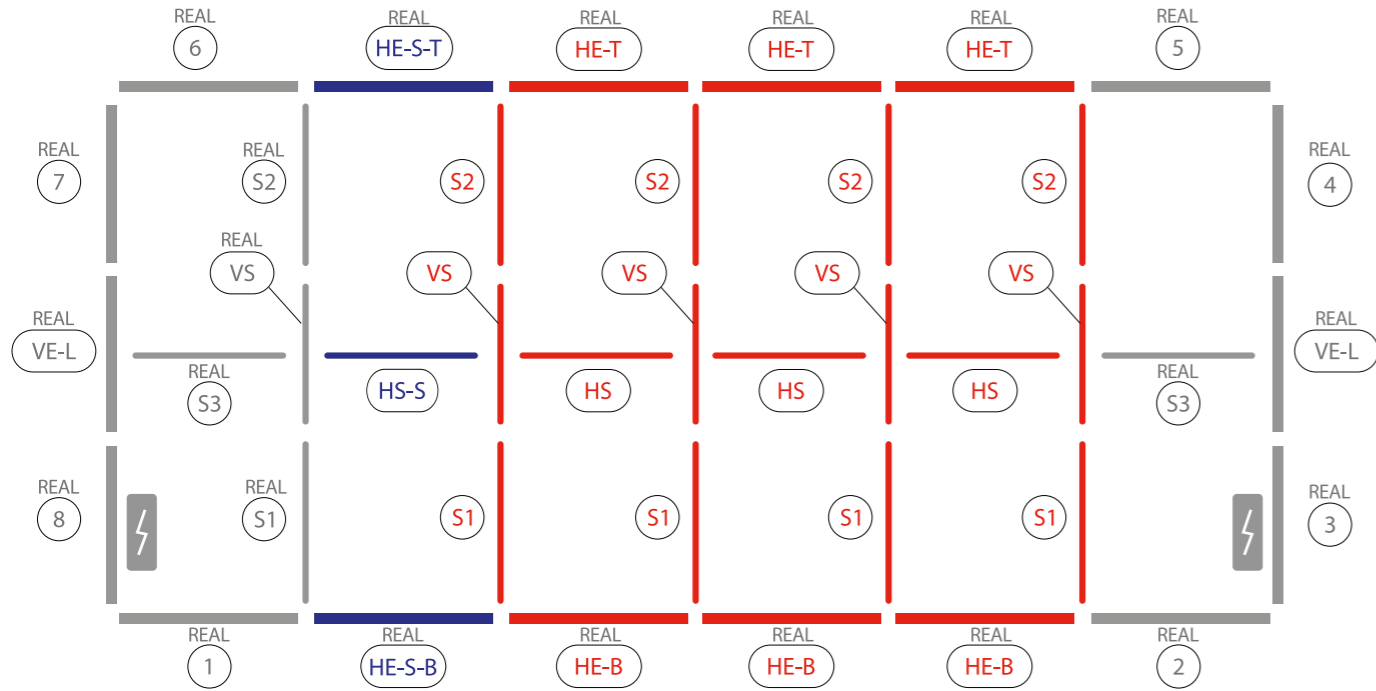


# AUFBAUANLEITUNG SET UP INSTRUCTION



**BIG LED UP**

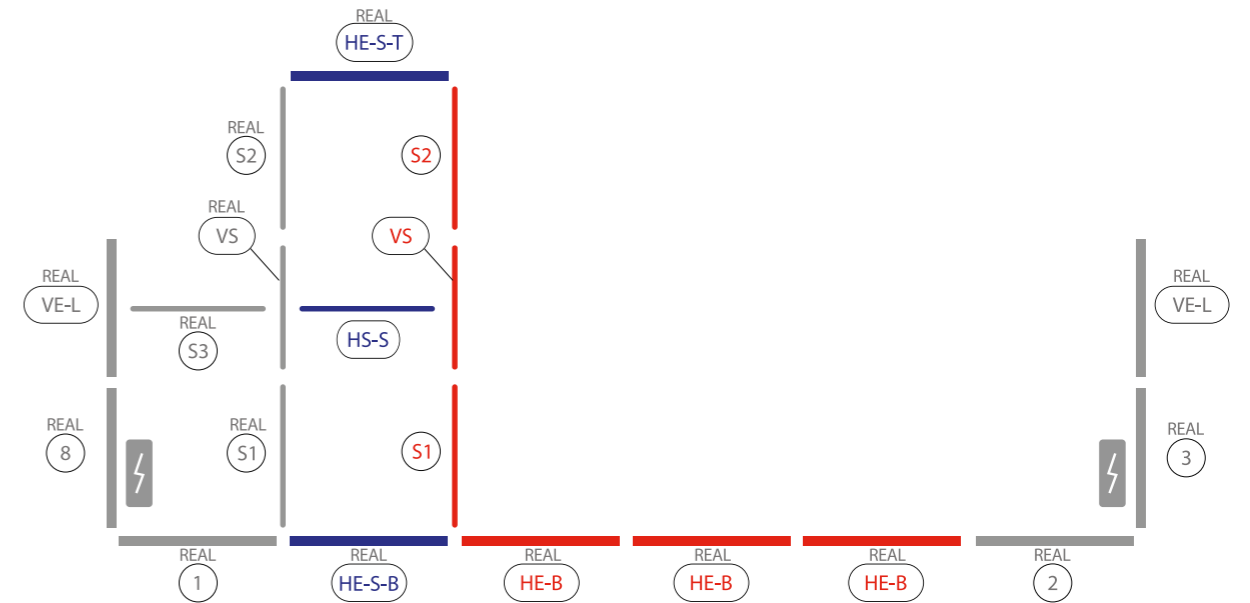


BASEPLATE PLACEMENT

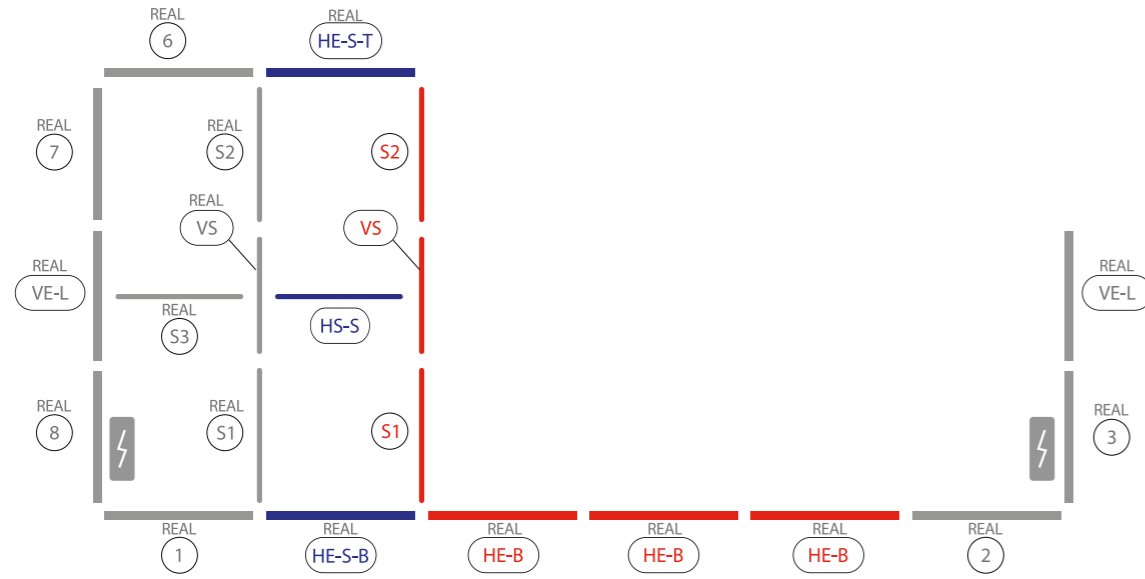
1.



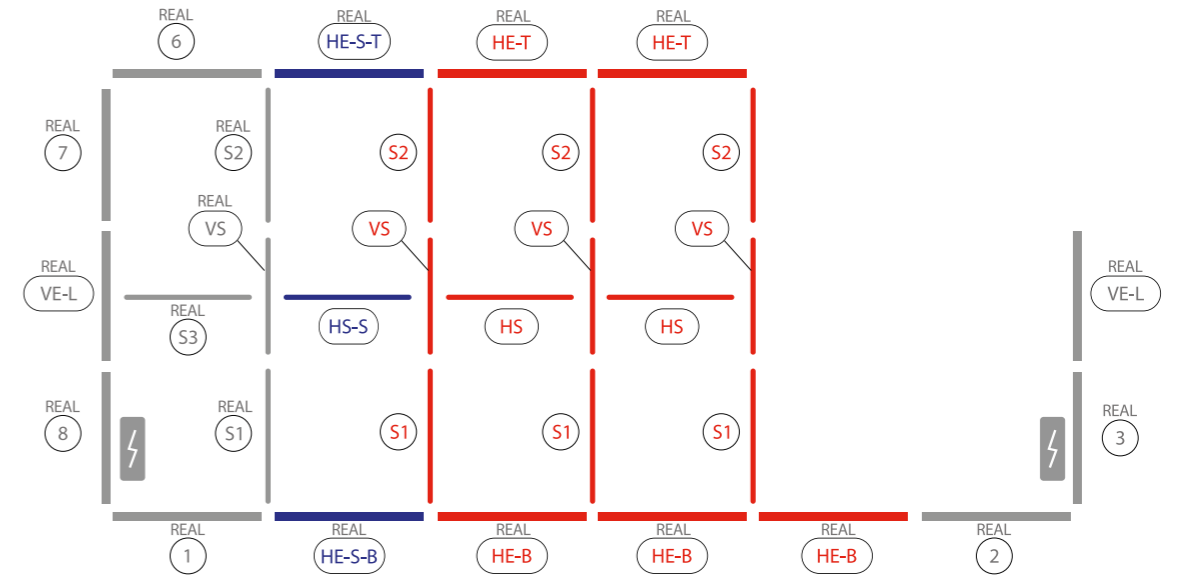
2.



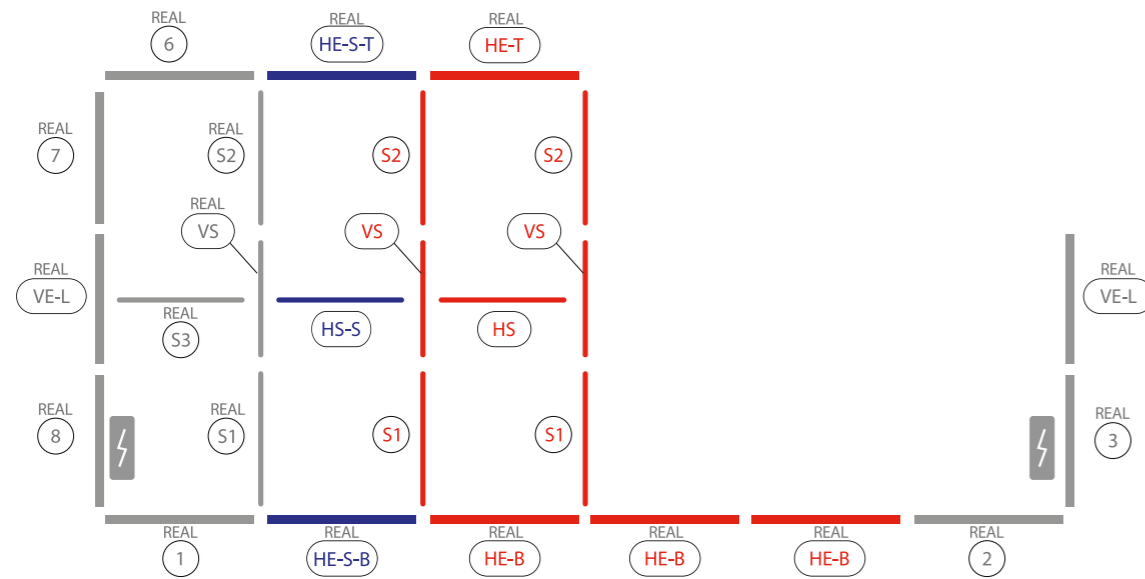
3.



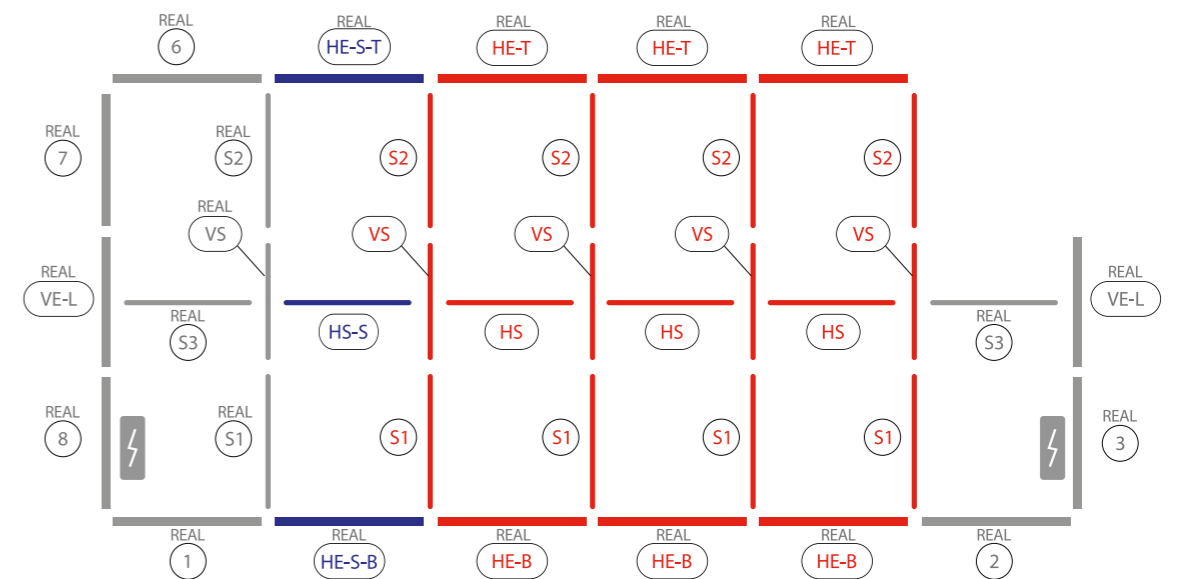
5.



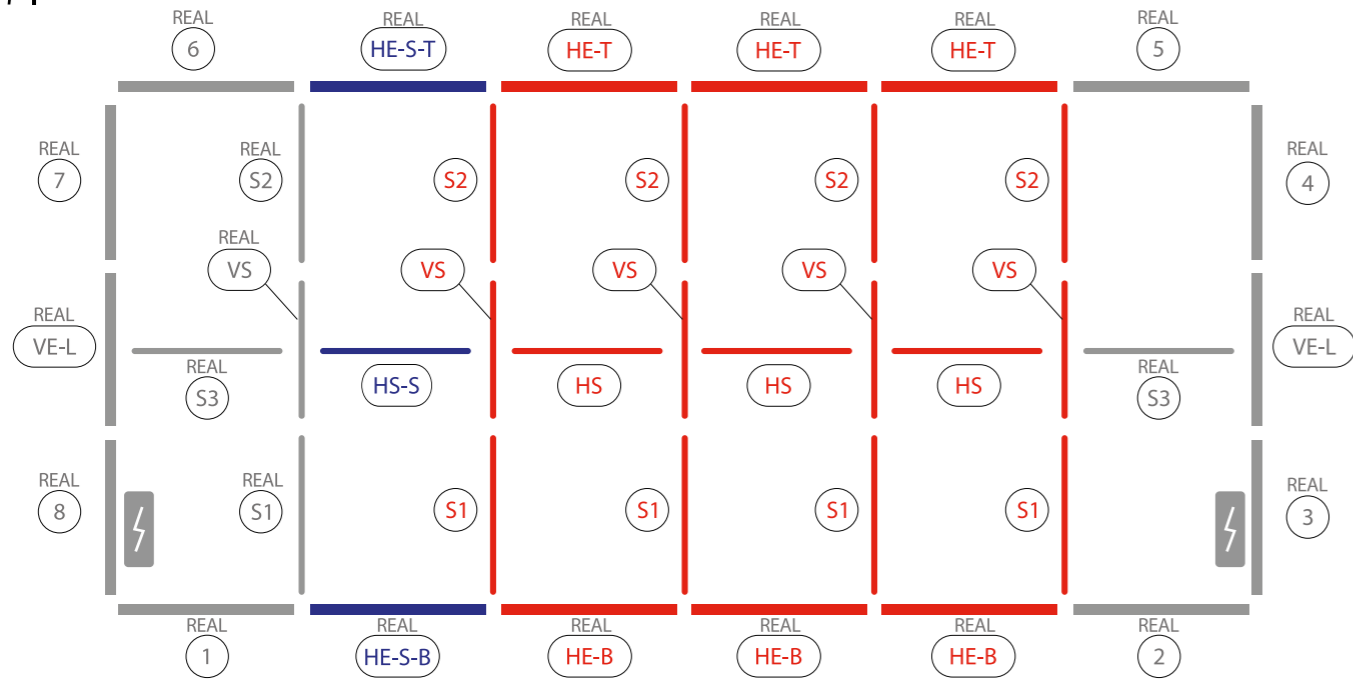
4.



6.

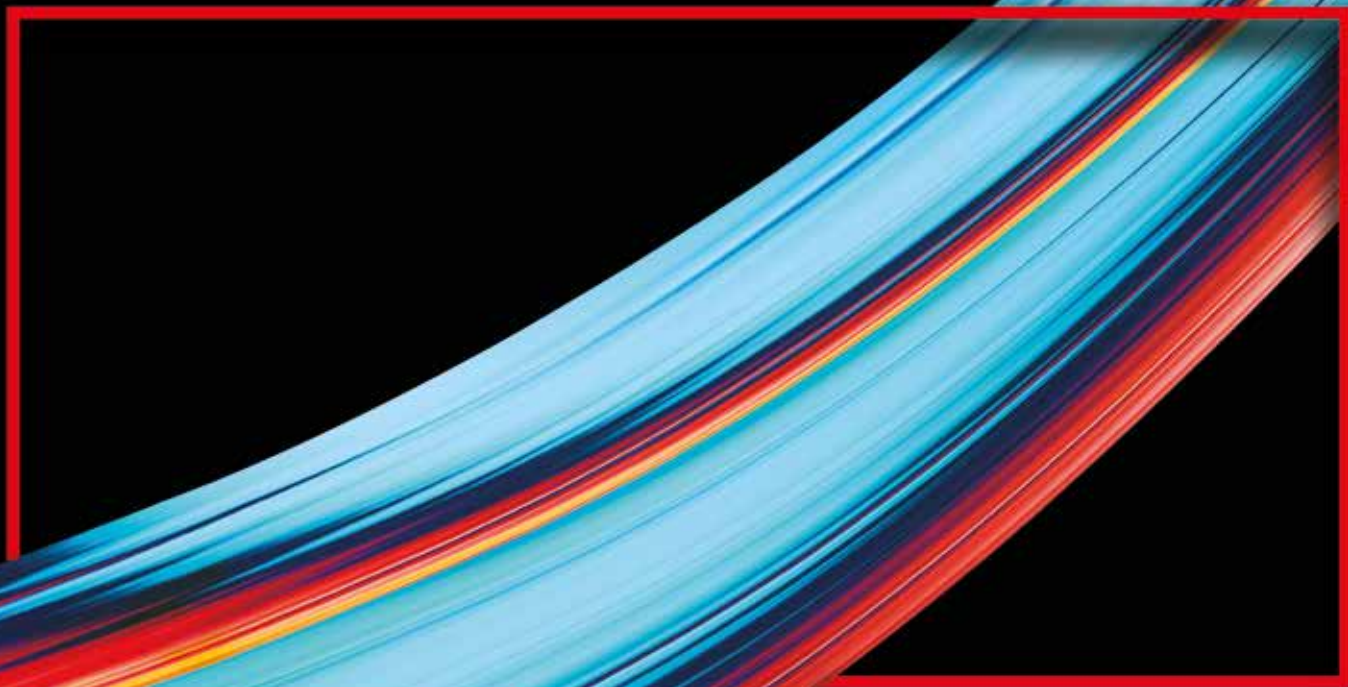


7.

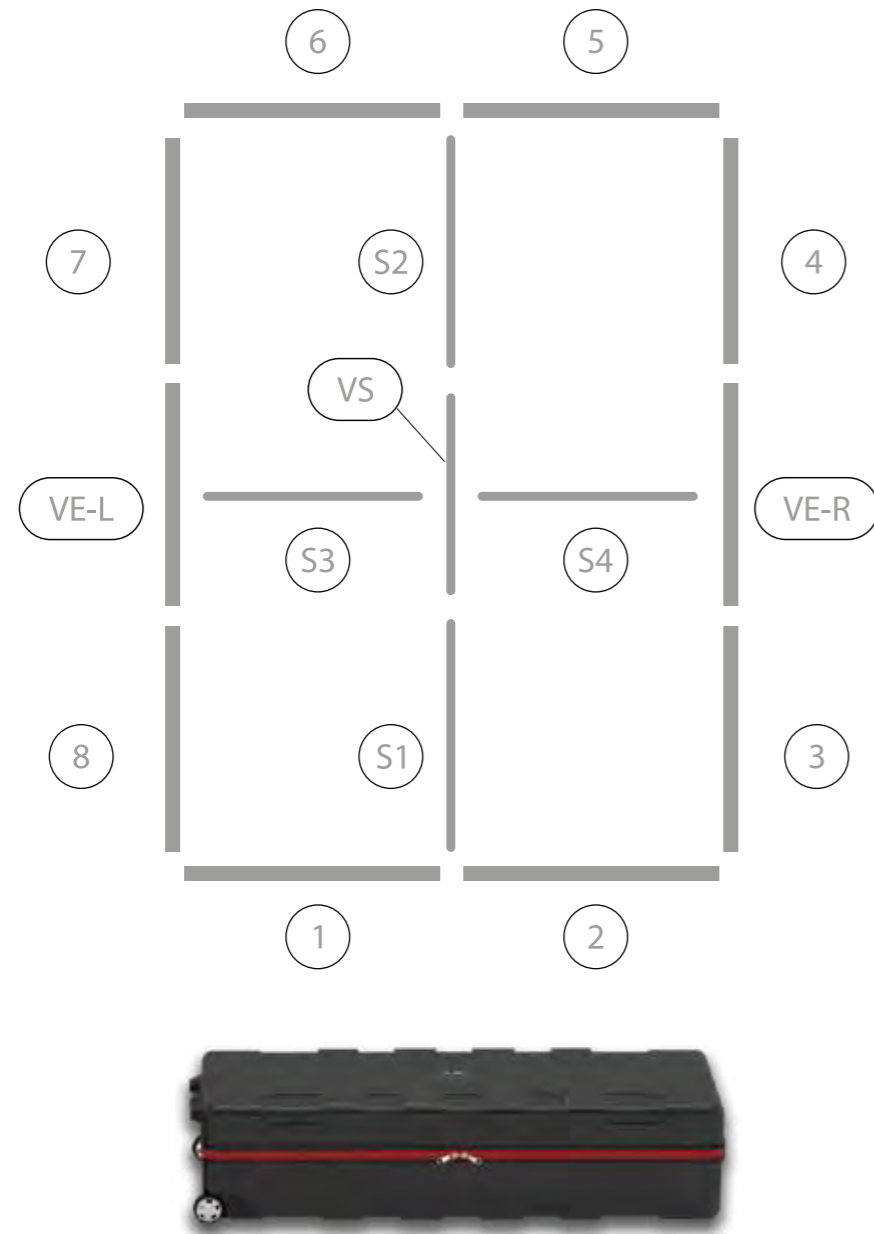




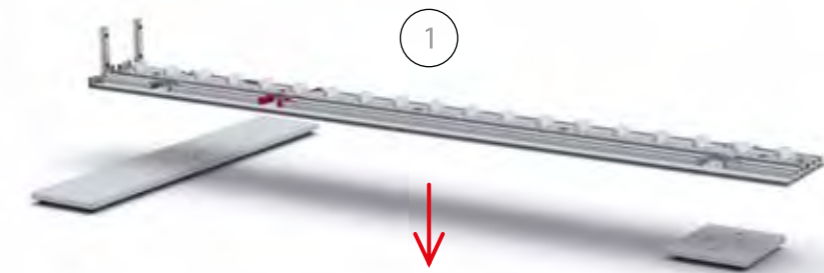
# AUFBAUANLEITUNG SET UP INSTRUCTION



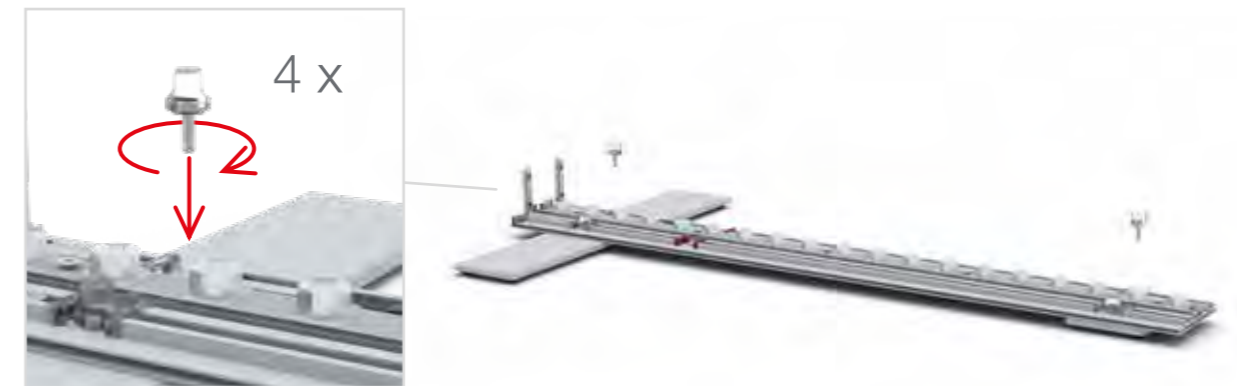
**BIG LED UP**

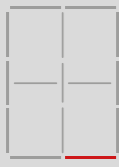


1.

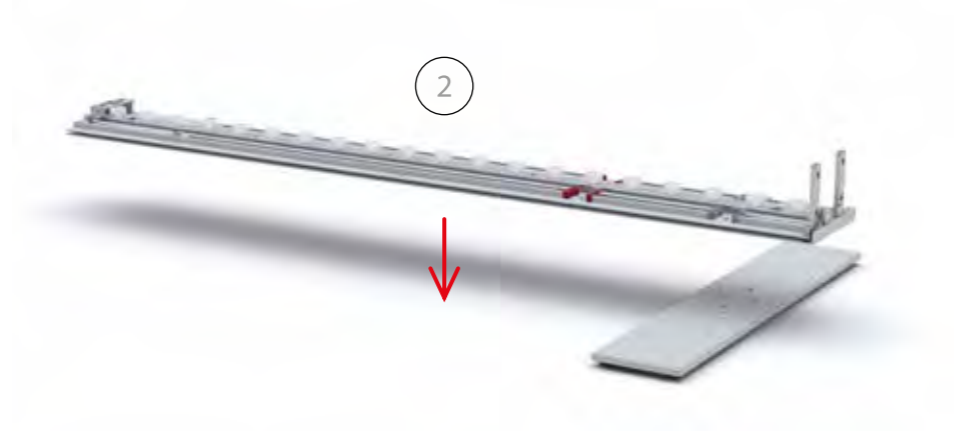


2.

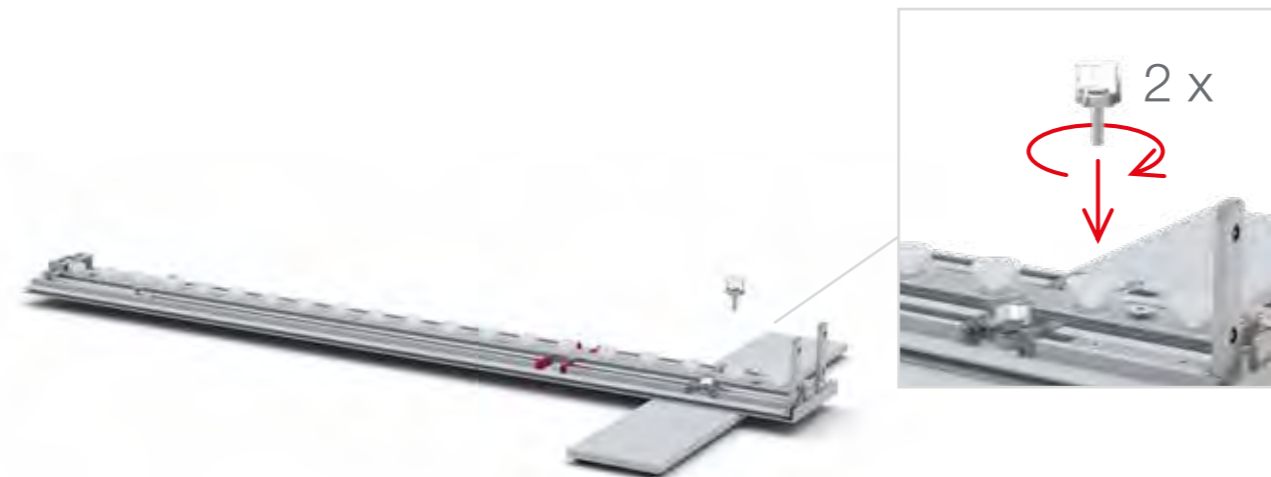




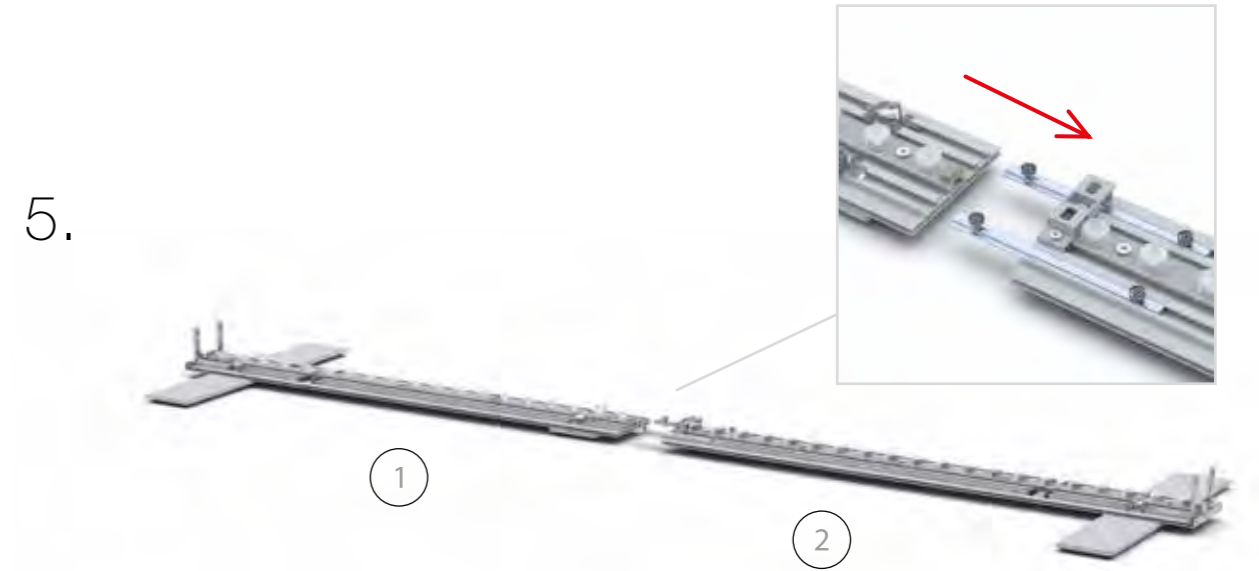
3.



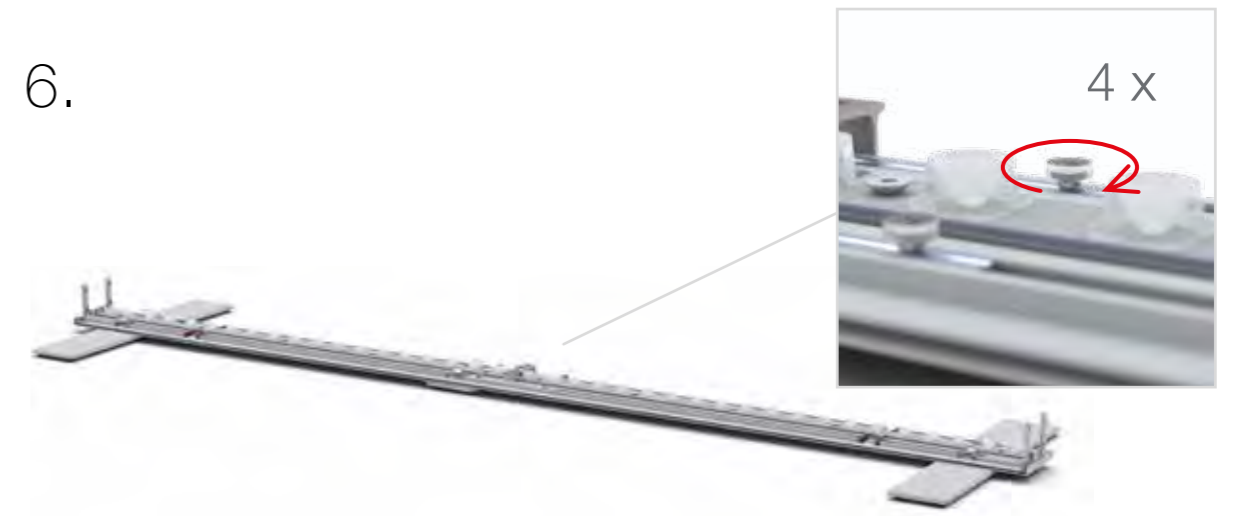
4.

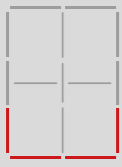


5.

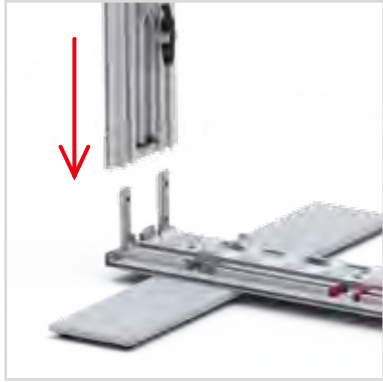


6.





7.

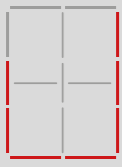


8.



9.



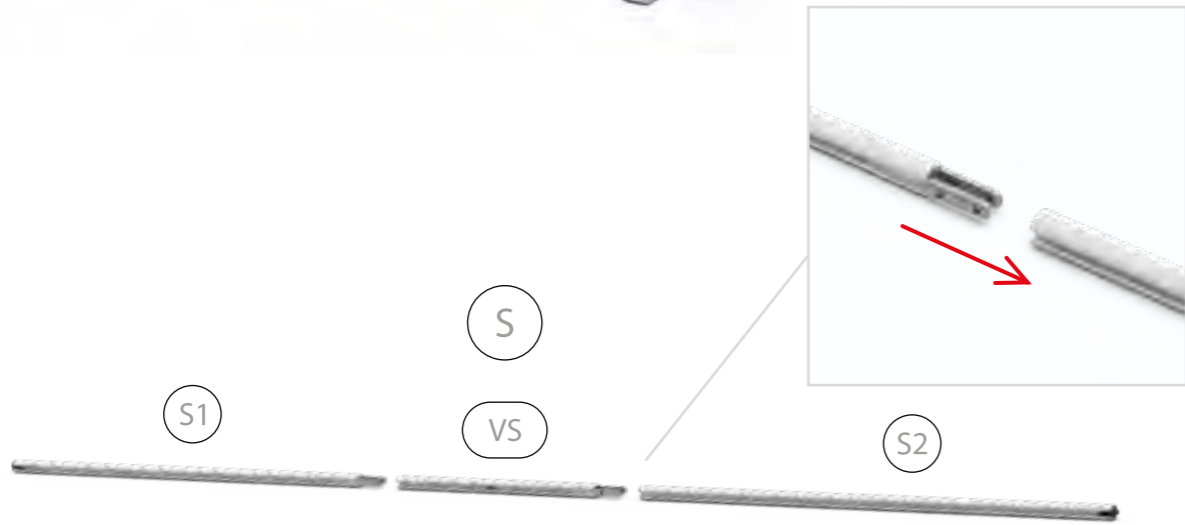


10.



4

11.



S1

S

VS

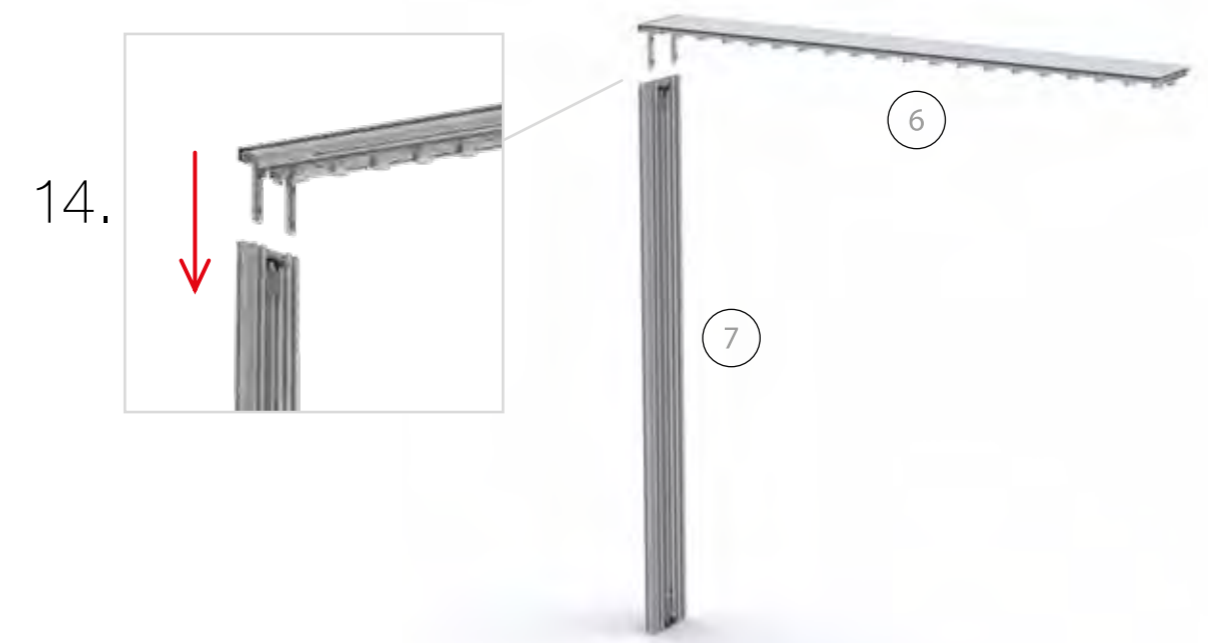
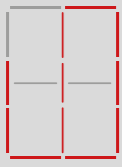
S2

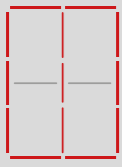
12.



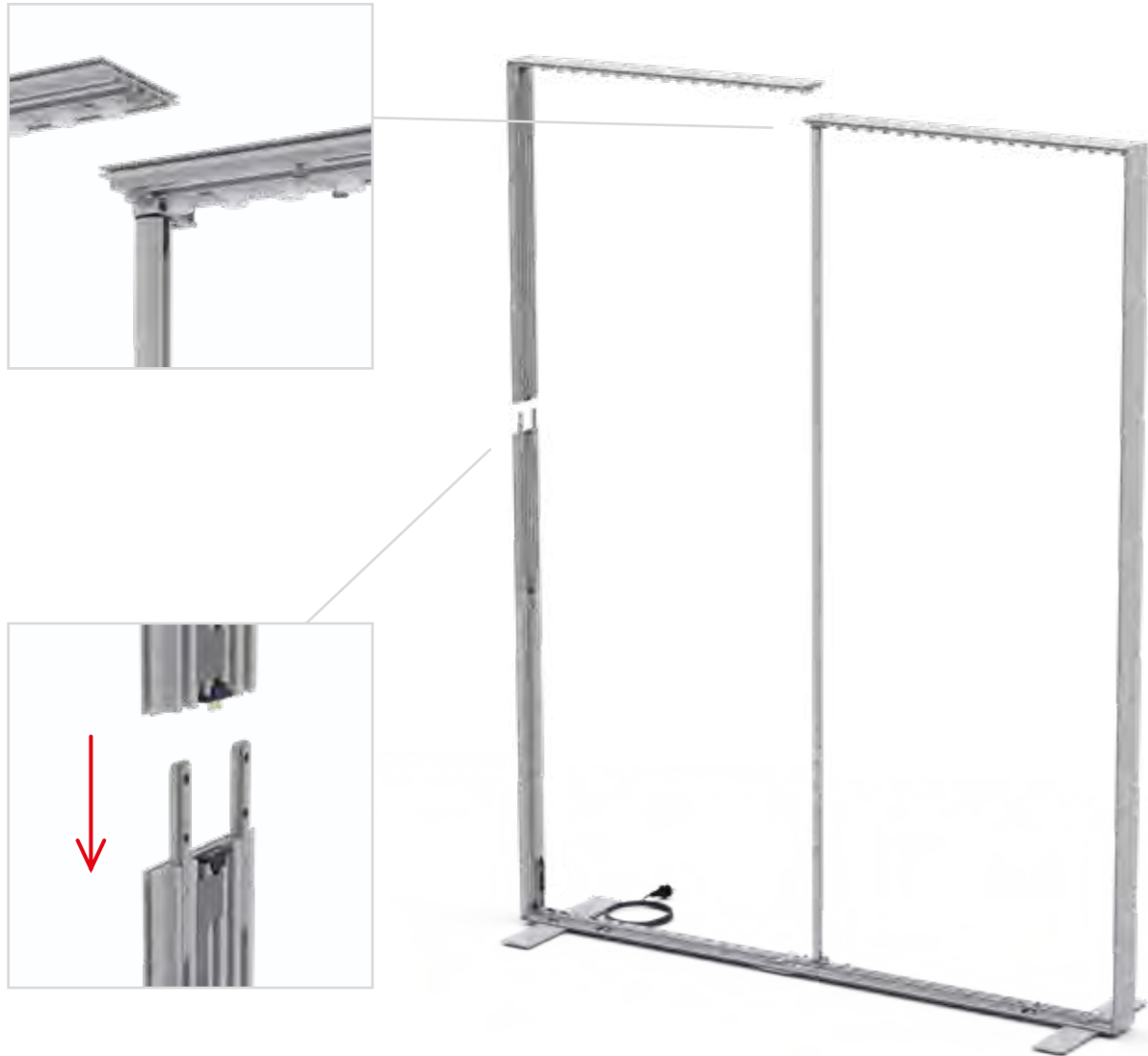
5

S



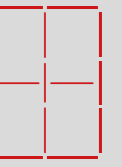
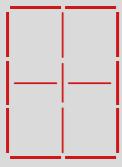


15.

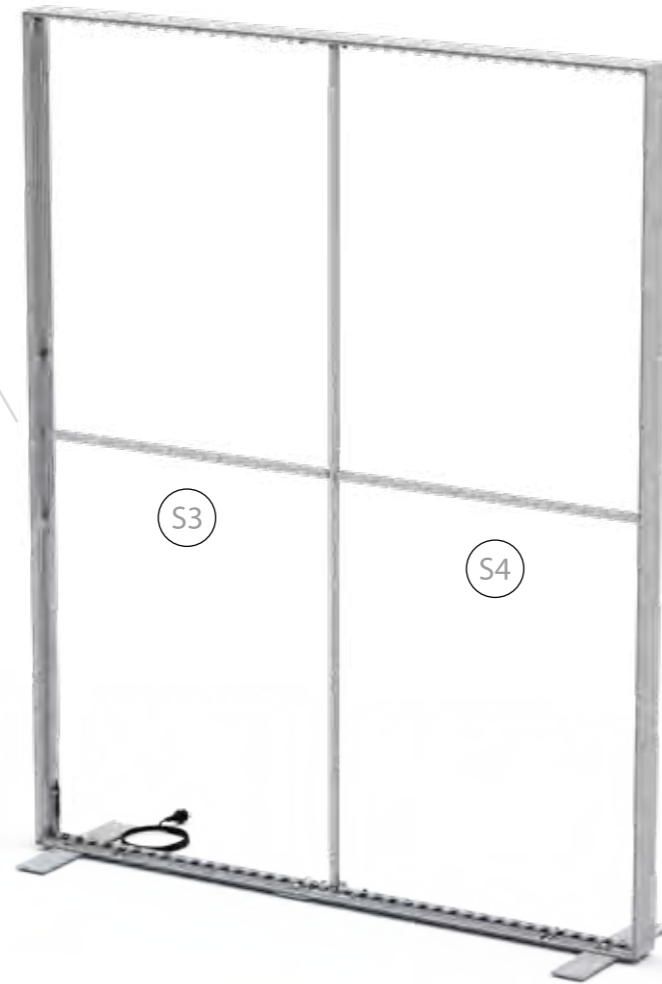
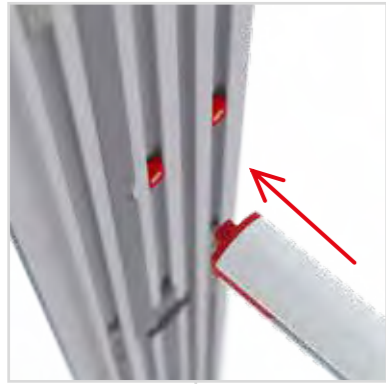


16.



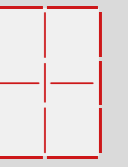
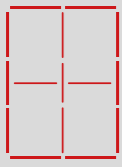


17.

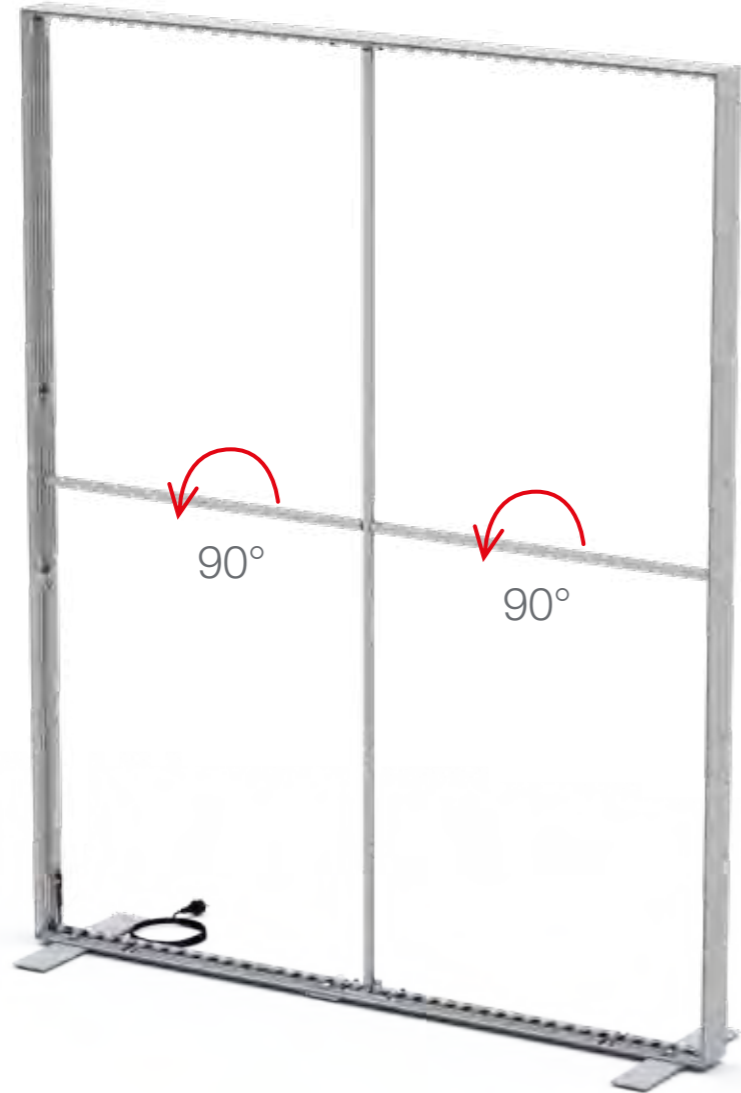


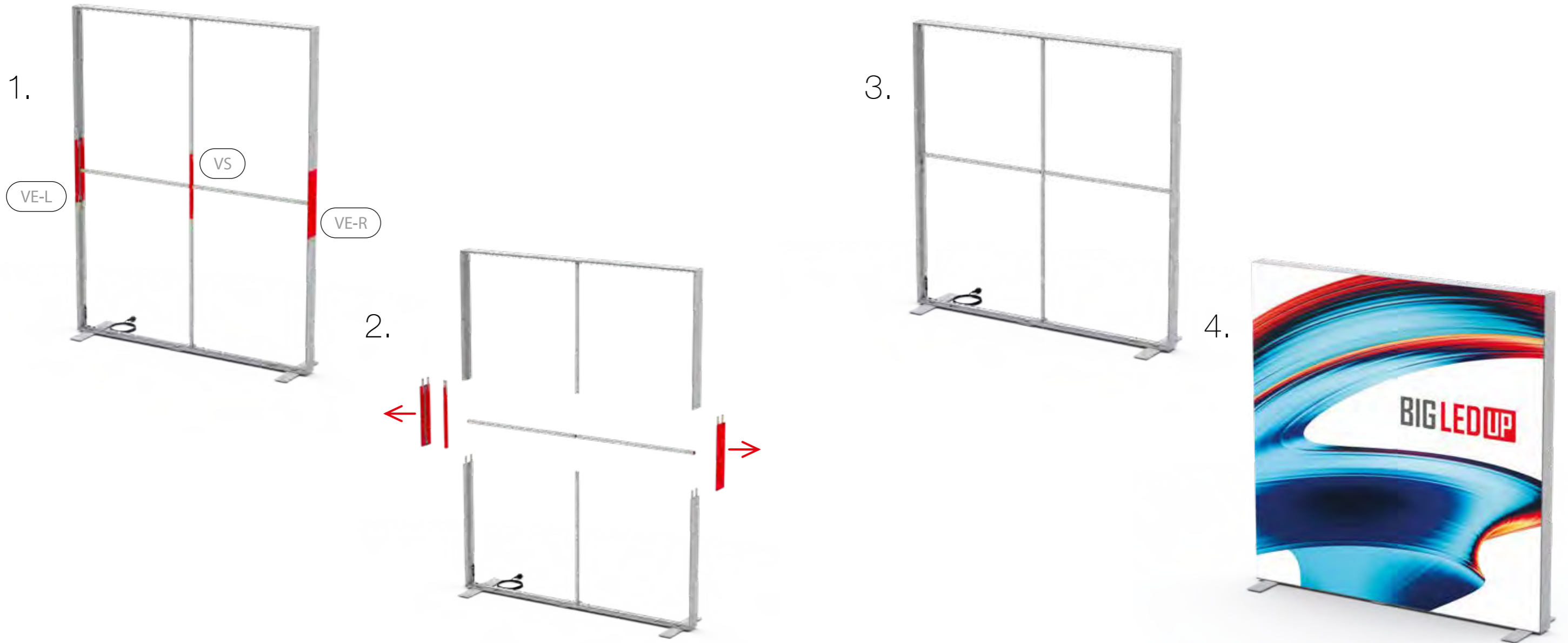
18.





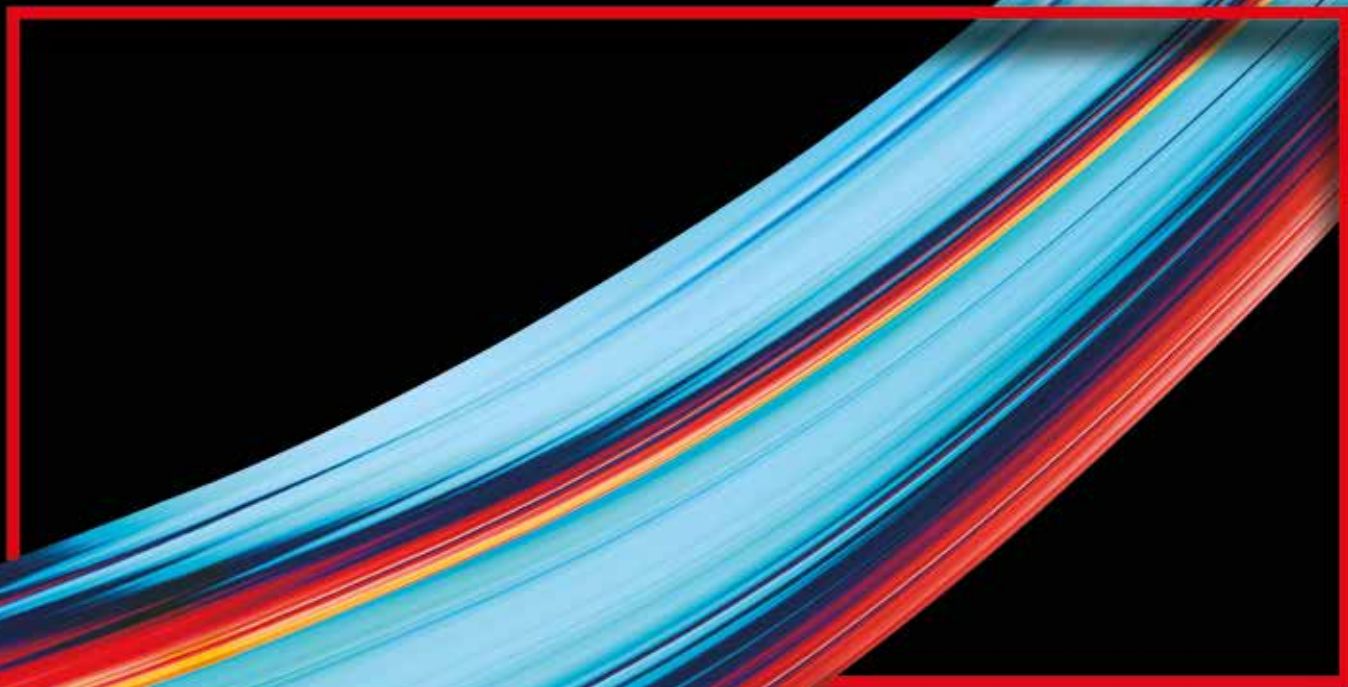
19.



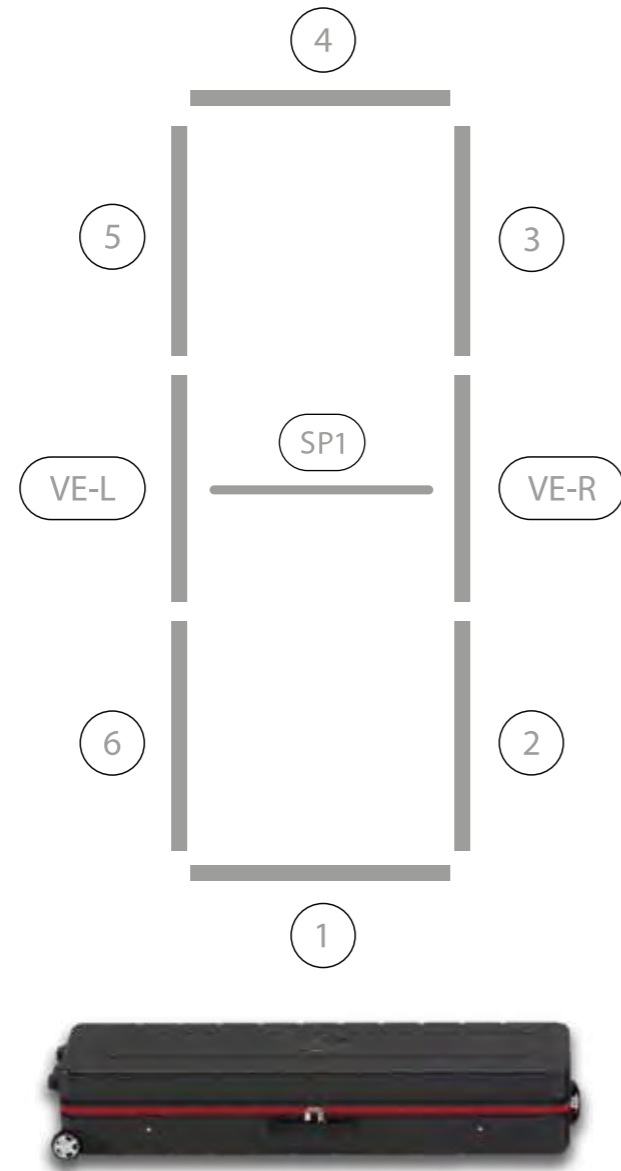




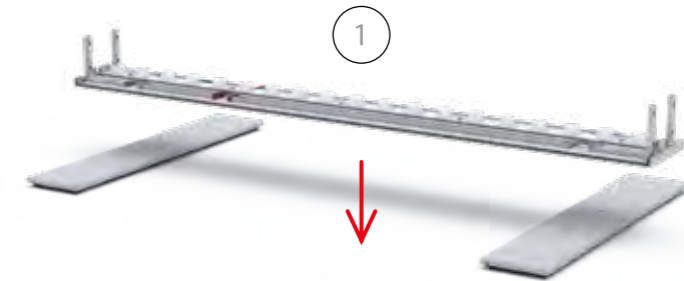
# AUFBAUANLEITUNG SET UP INSTRUCTION



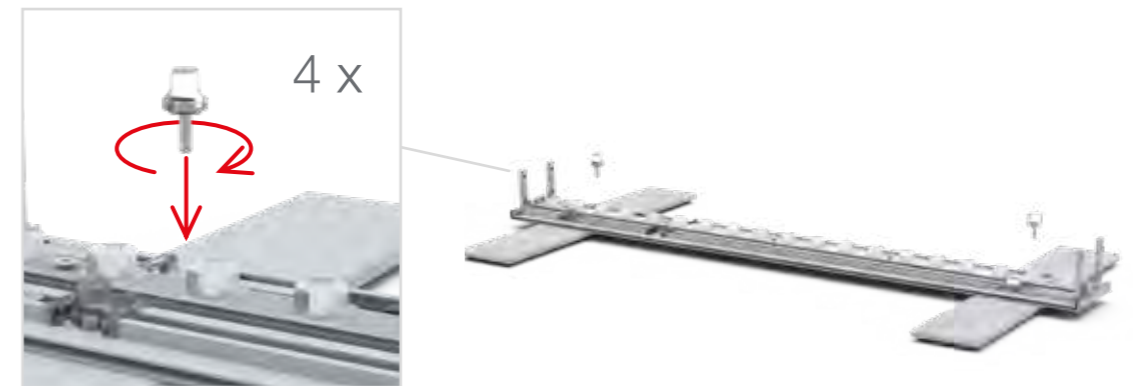
**BIG LED UP**



1.

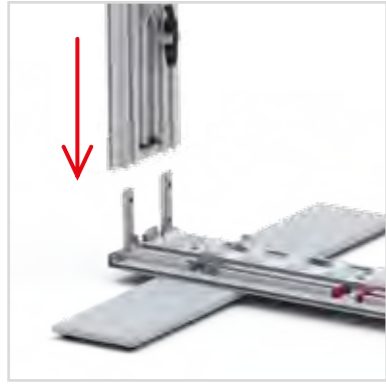


2.

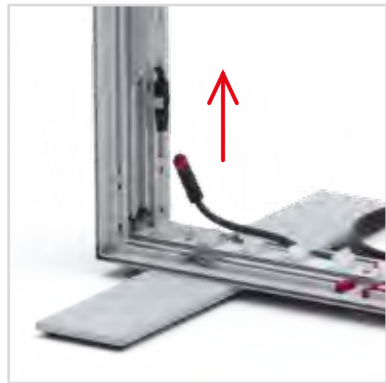




3.



4.



5.





6.

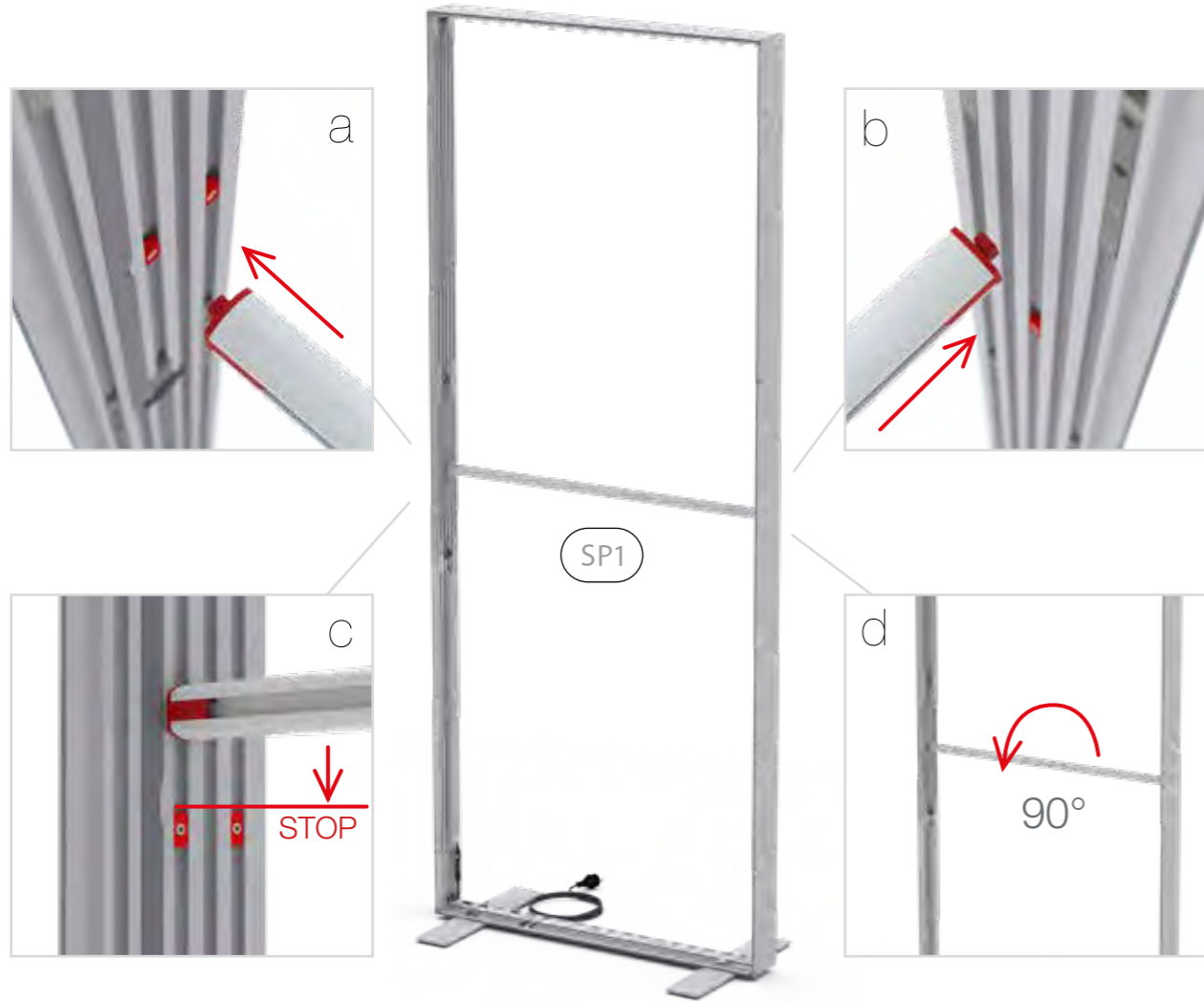


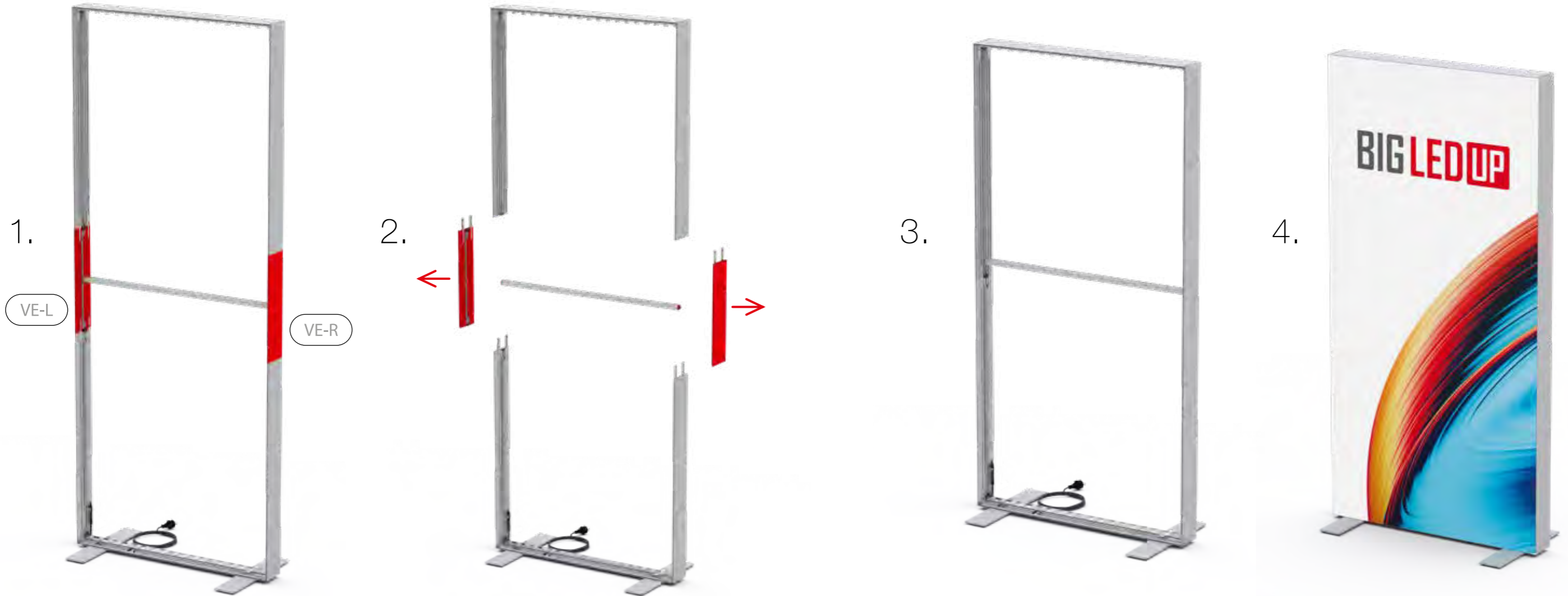
7.





8.







AUFBAUANLEITUNG  
SET UP INSTRUCTION

**BIG LED UP  
BRIDGE**



BLUP-br-kit

AUFBAUANLEITUNG / SET UP INSTRUCTION

START  
2 x BLUP-100-2XX



+



BLUP-br-kit

=



BLUP-100-2xx



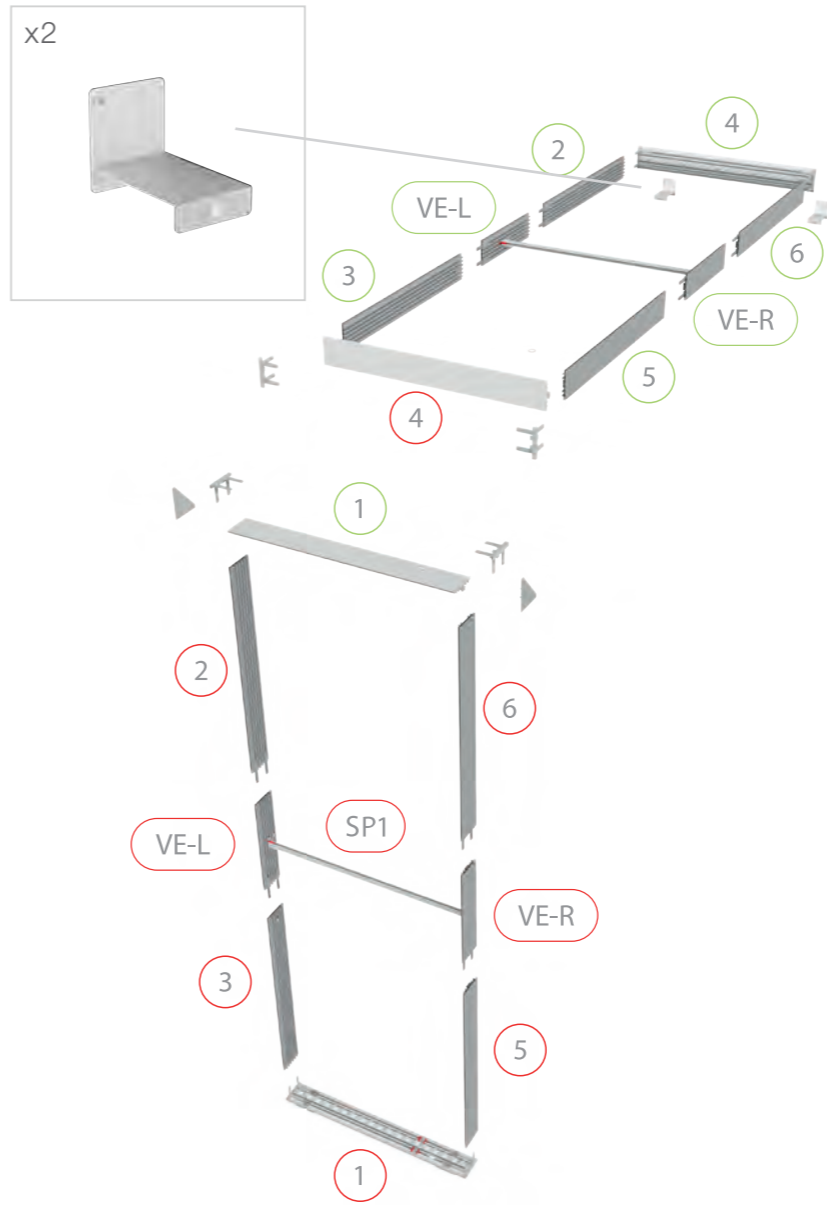
BLUP-100-2xx



# BLUP-br-kit



BLUP-br-kit



BLUP-100-2xx



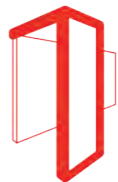
BLUP-100-2xx

+



BLUP-br-kit

=



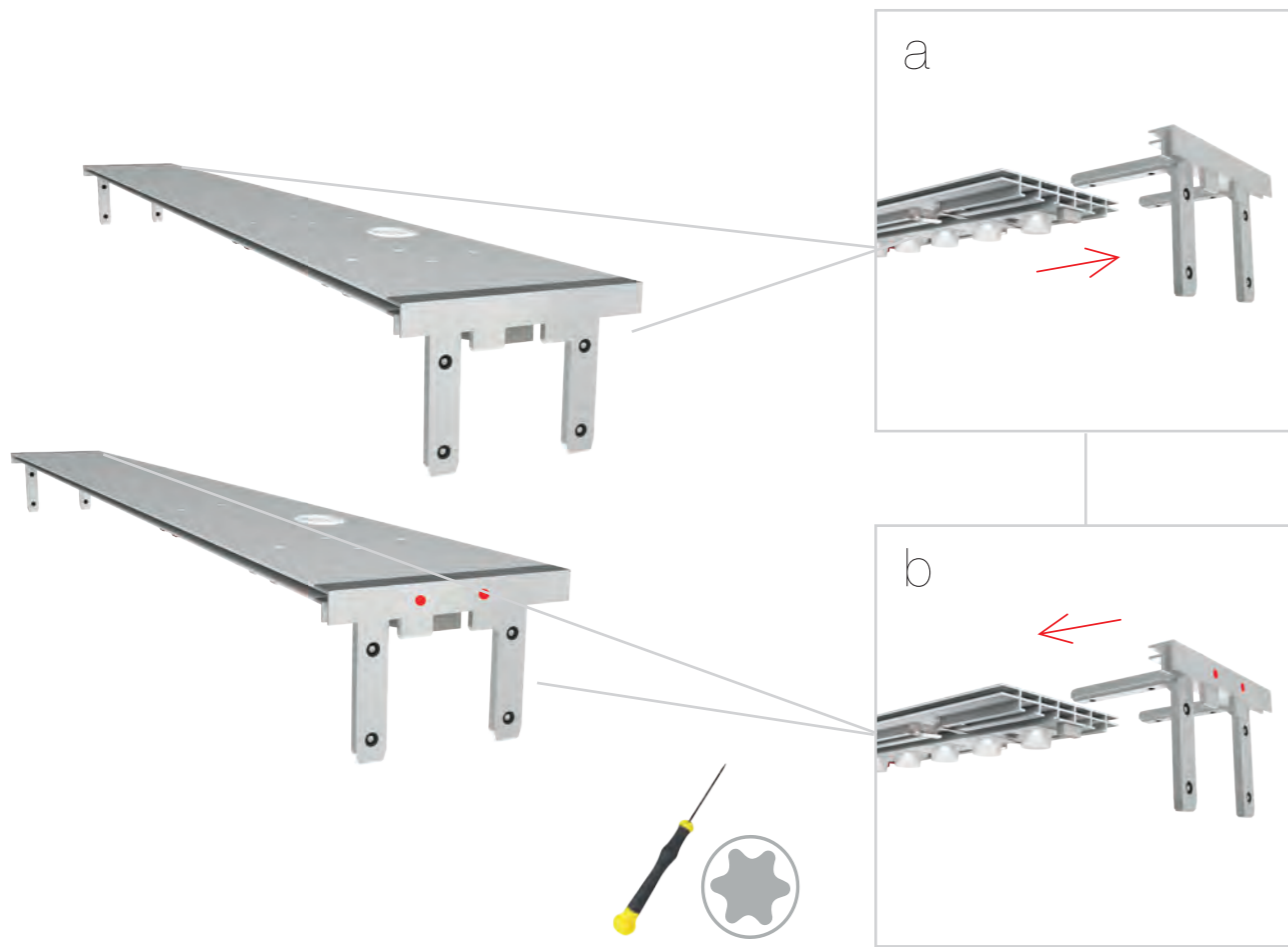
BLUP-br-2xx-2xx



# BLUP-br-kit

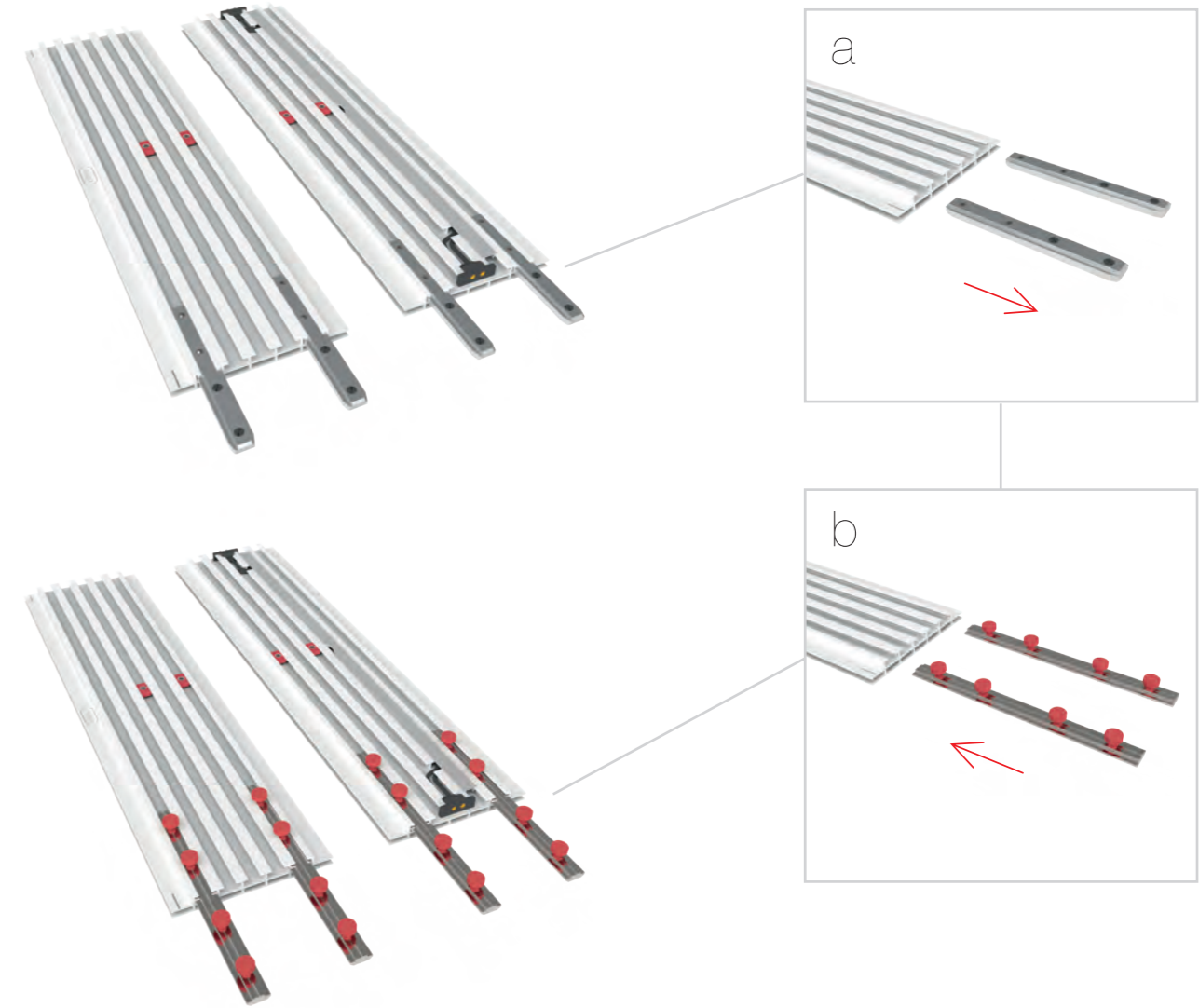
1.

4 1  
BEIDE SEITEN/  
BOTH SIDES



2.

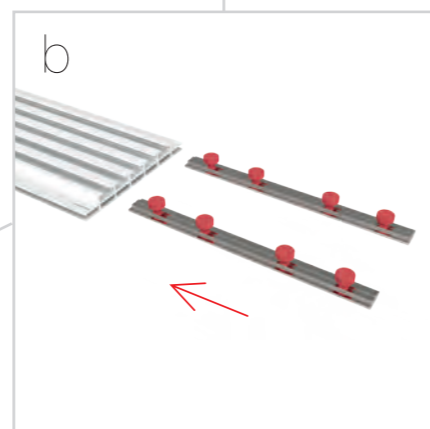
VE-L VE-R

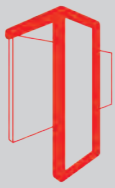




3.

2 6





BLUP-br-2xx-2xx

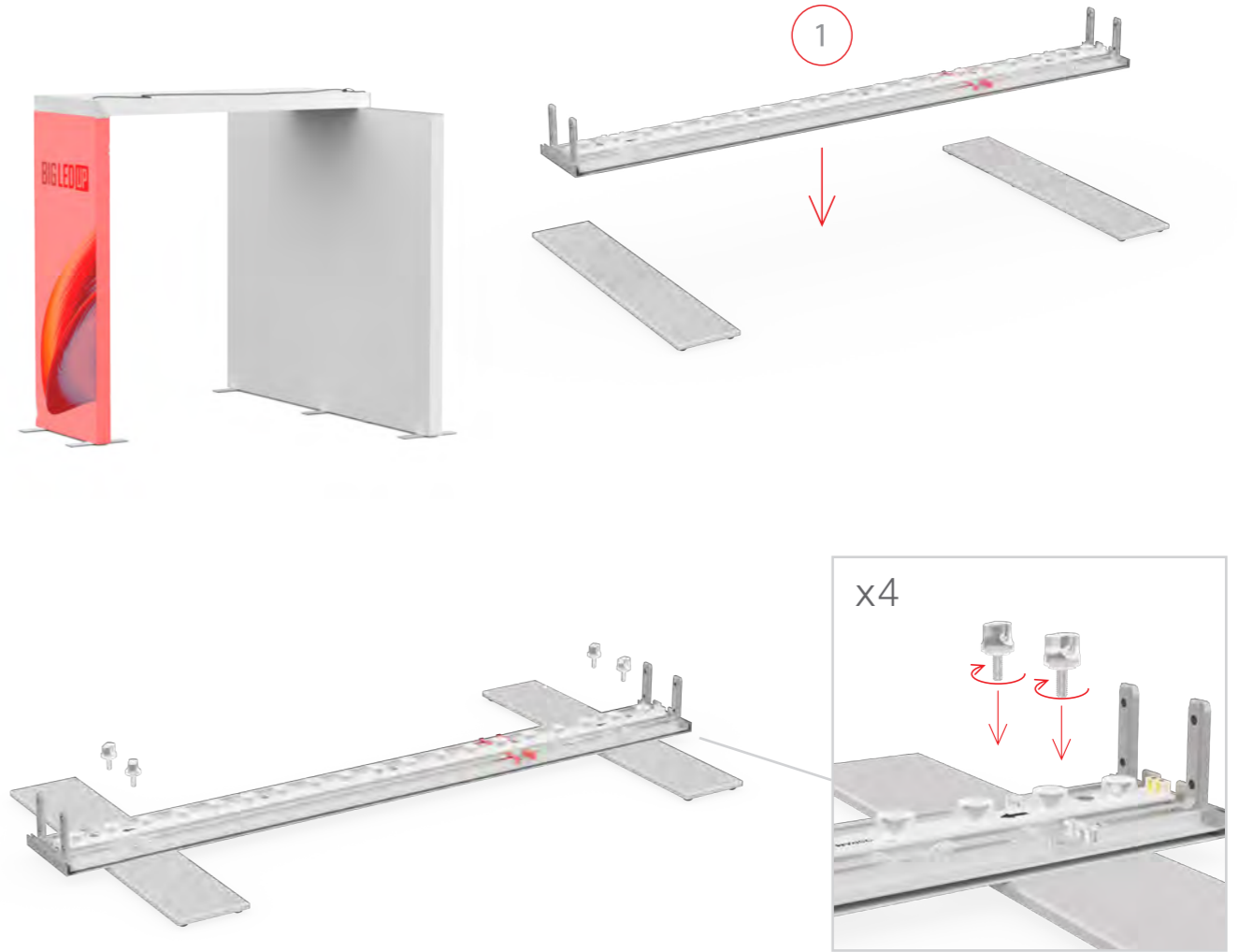


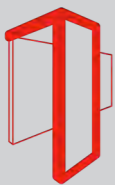
OPTIONAL

x2 BLUP-base-m

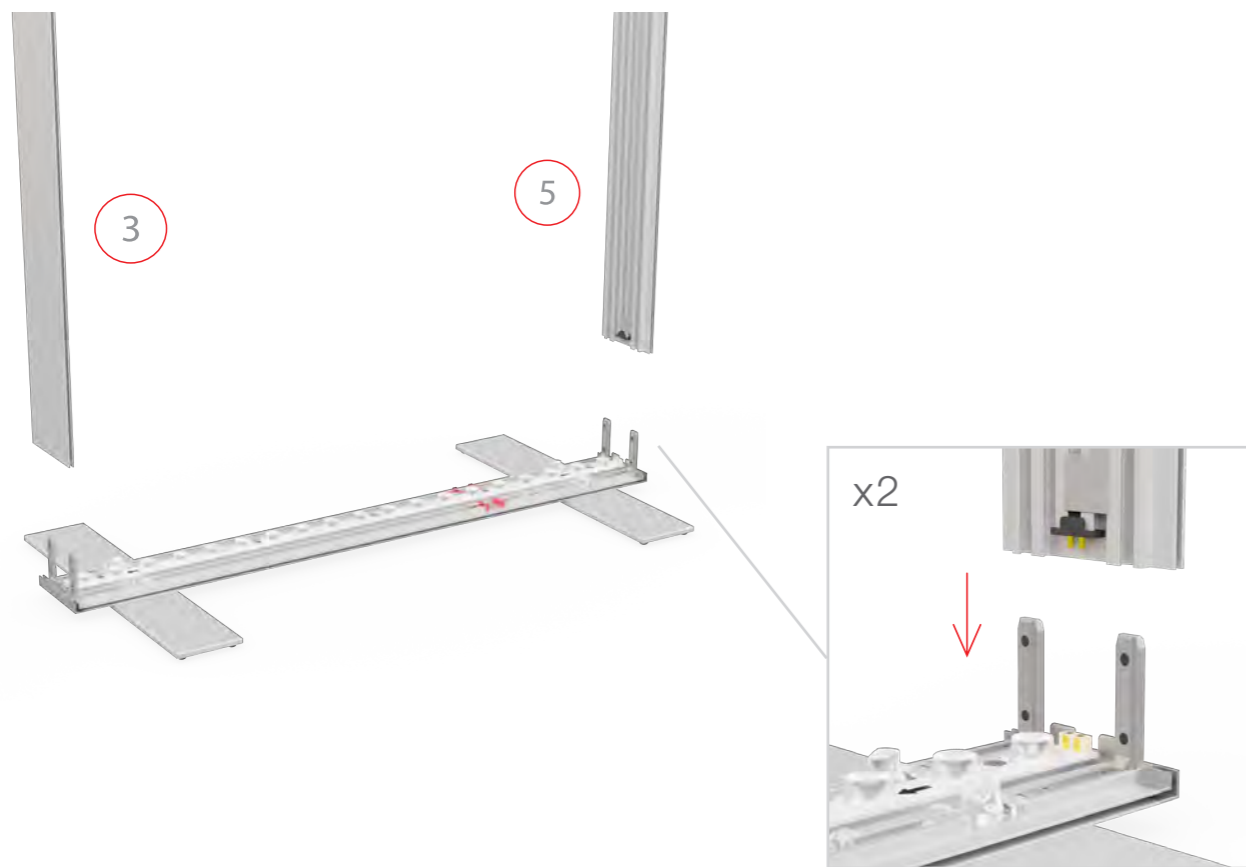


4.

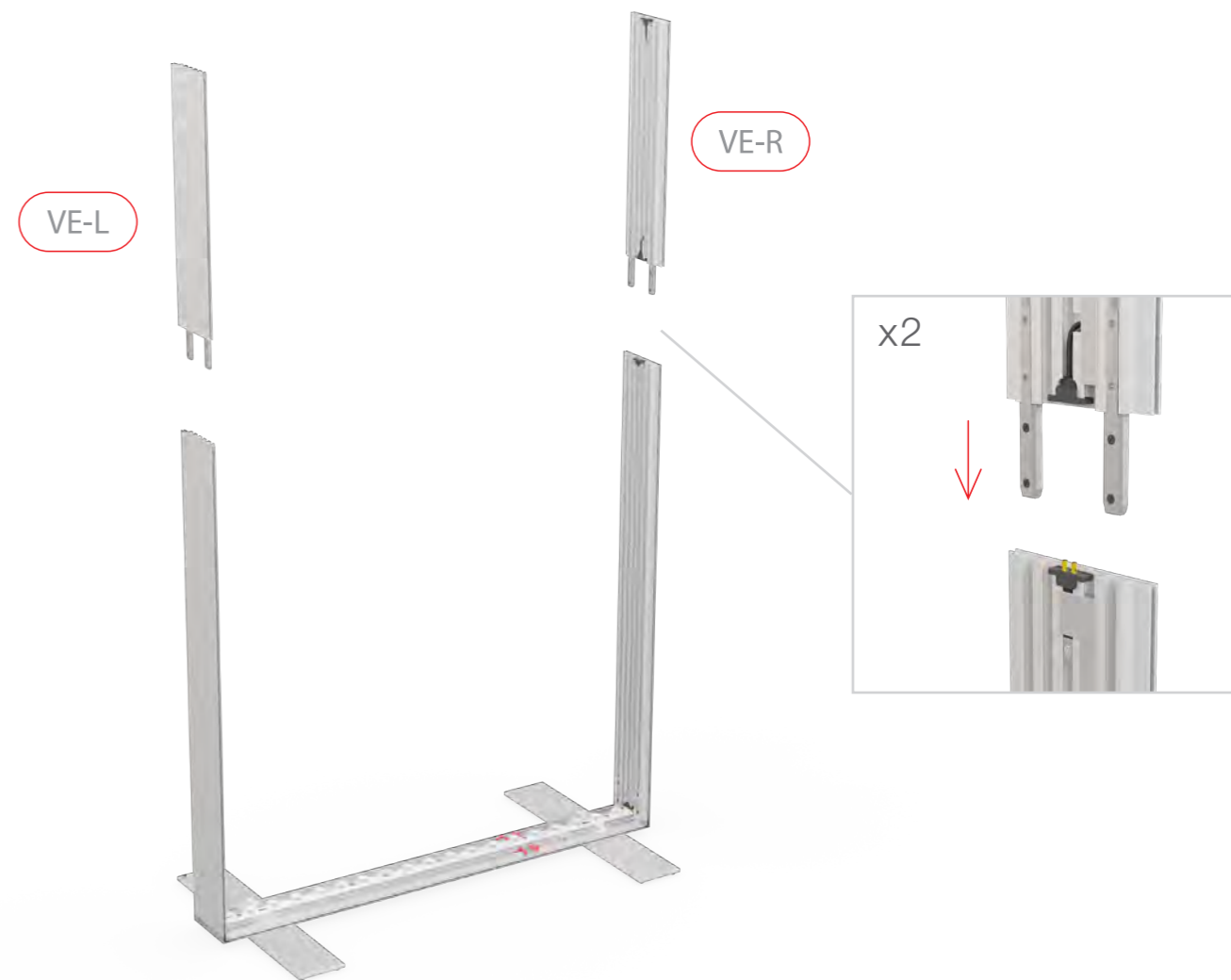


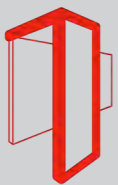


5.

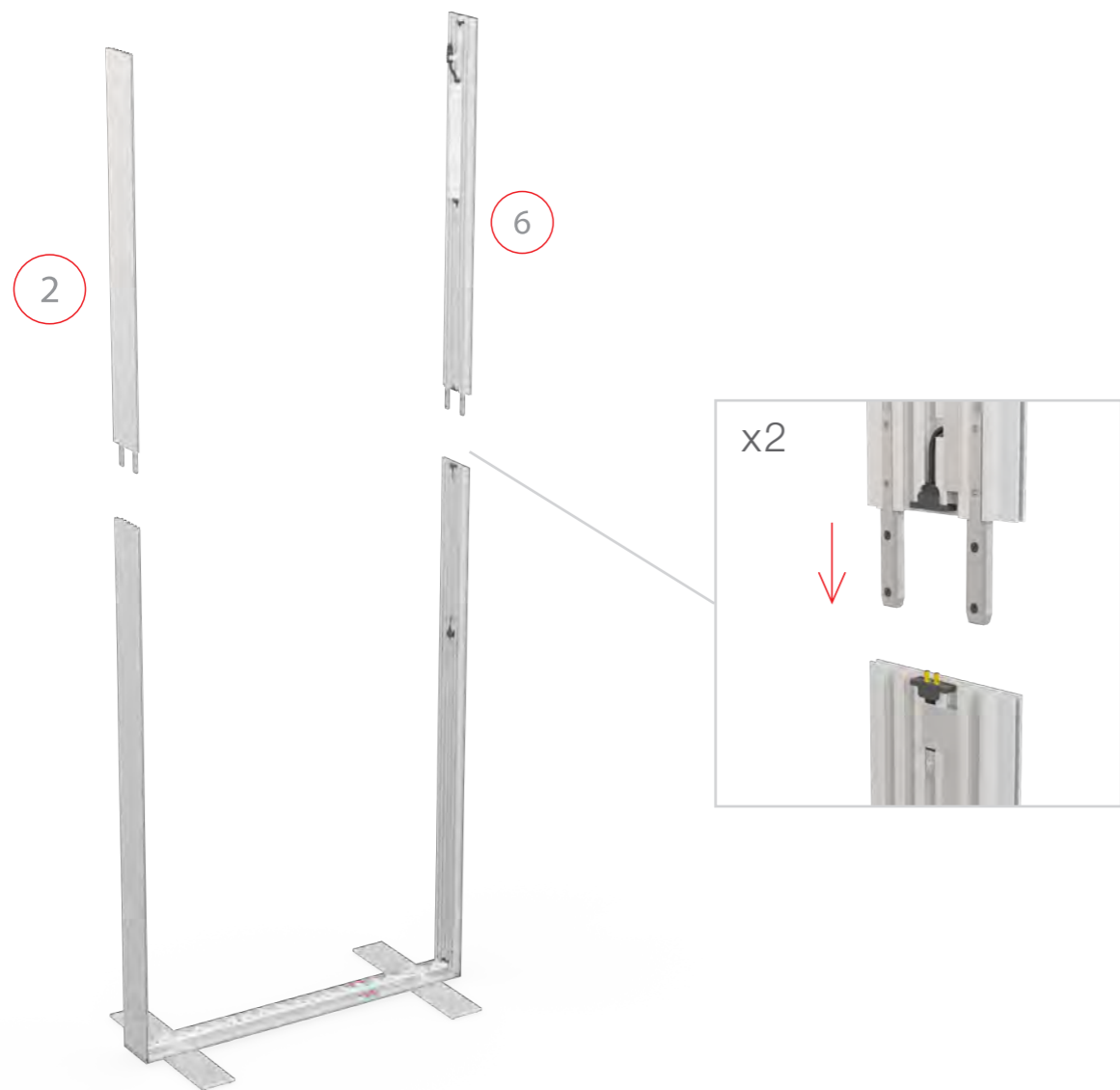


6.

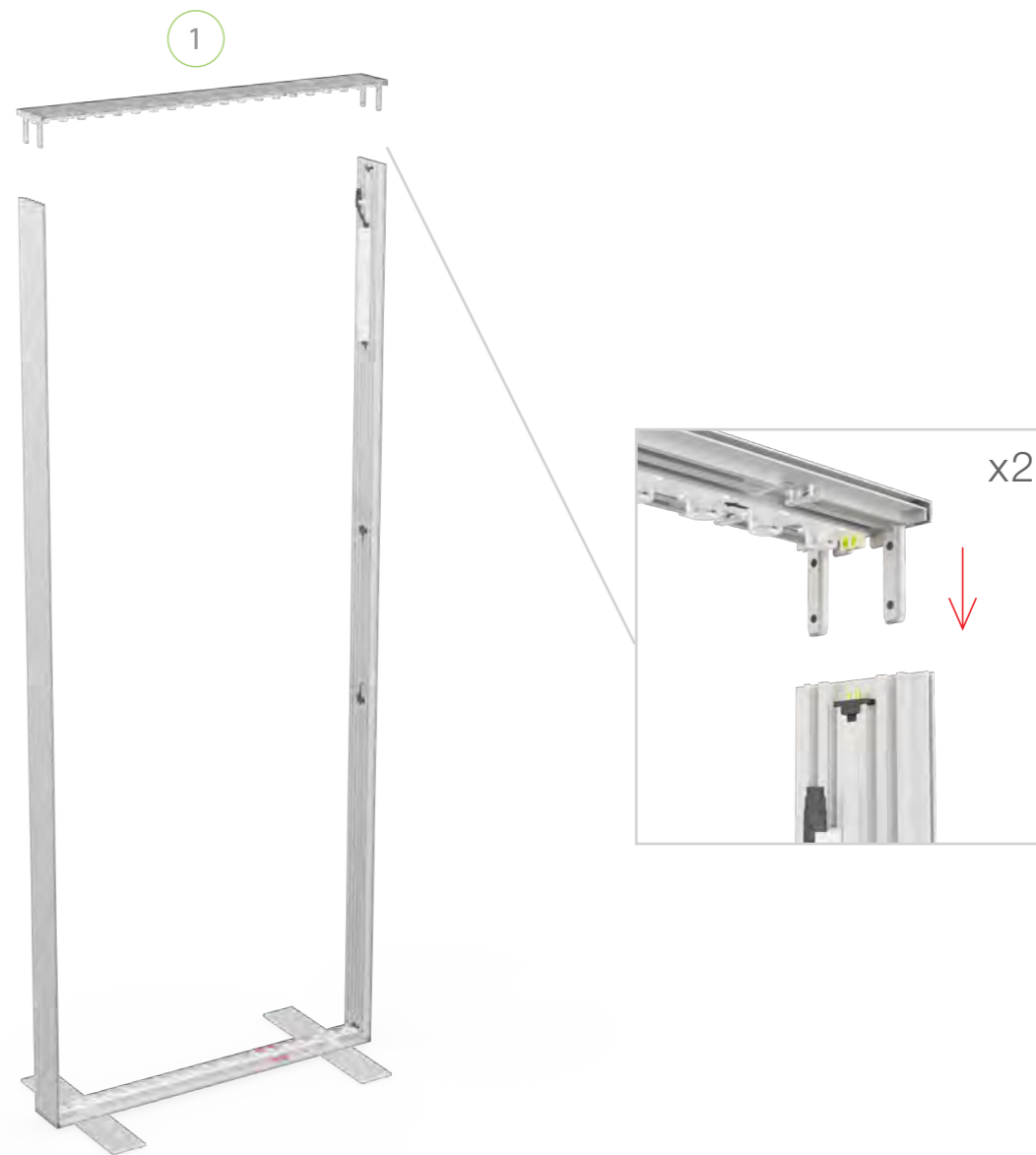


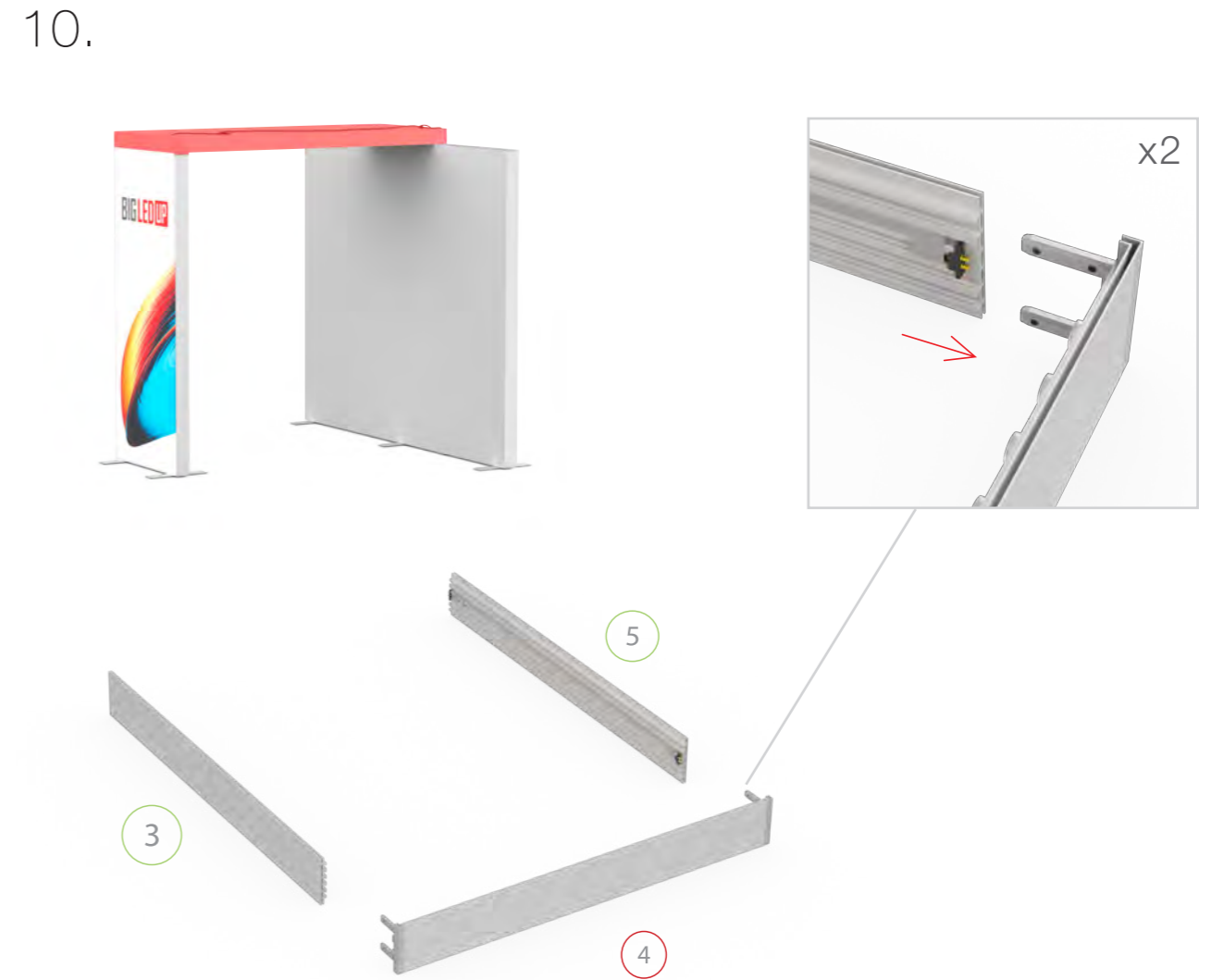
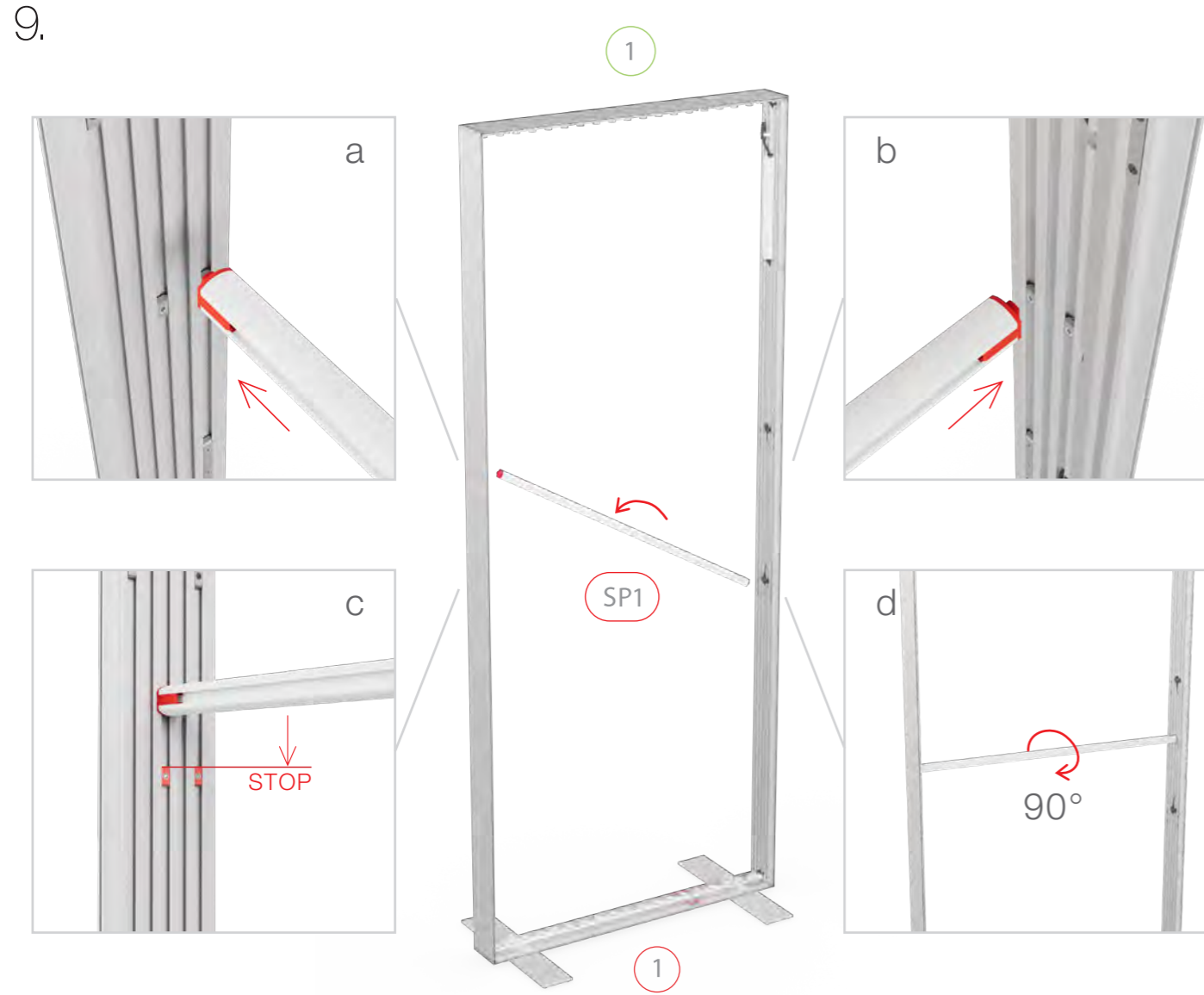
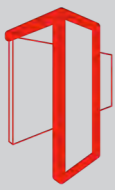


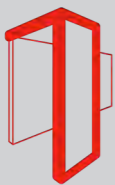
7.



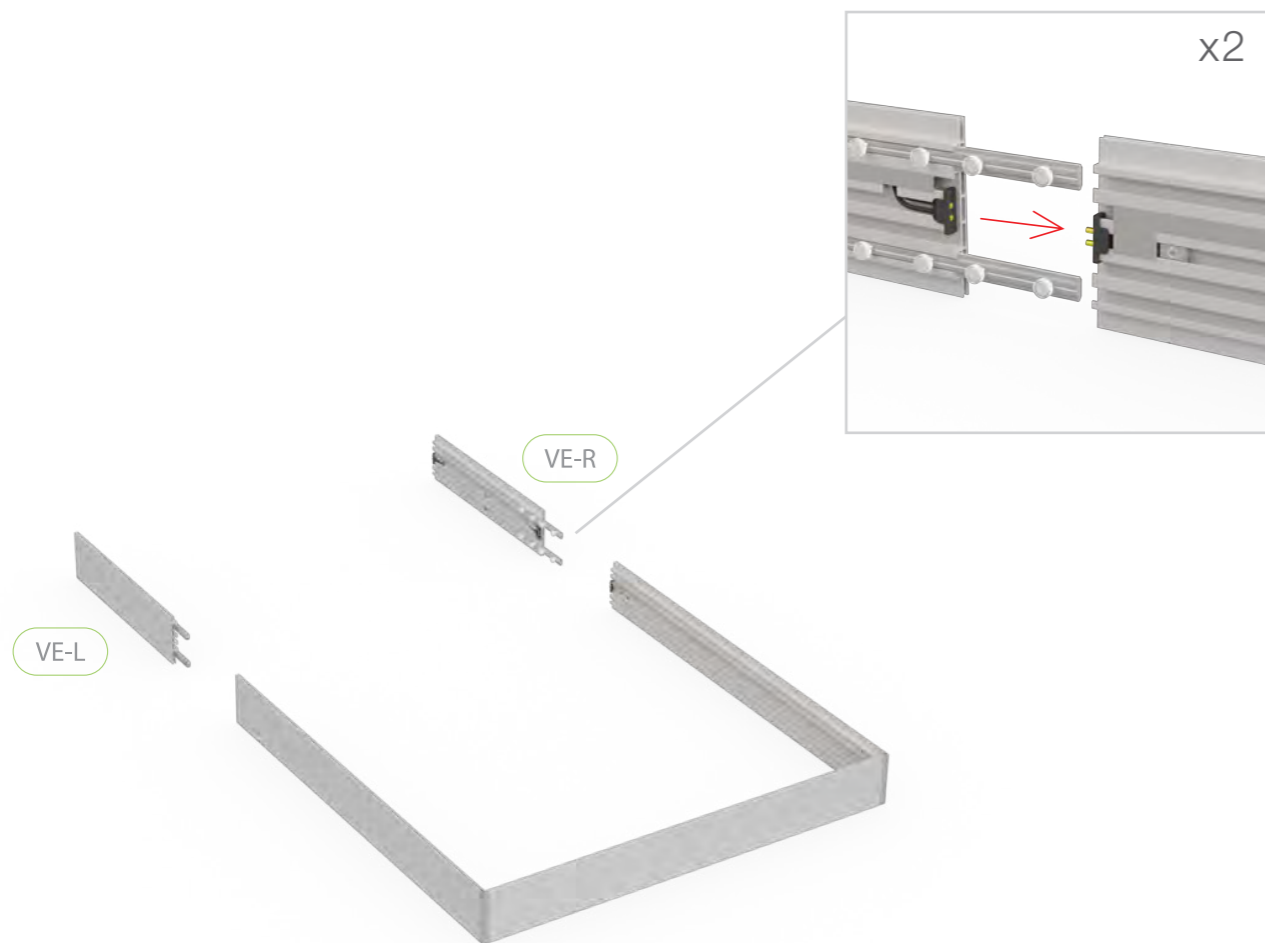
8.



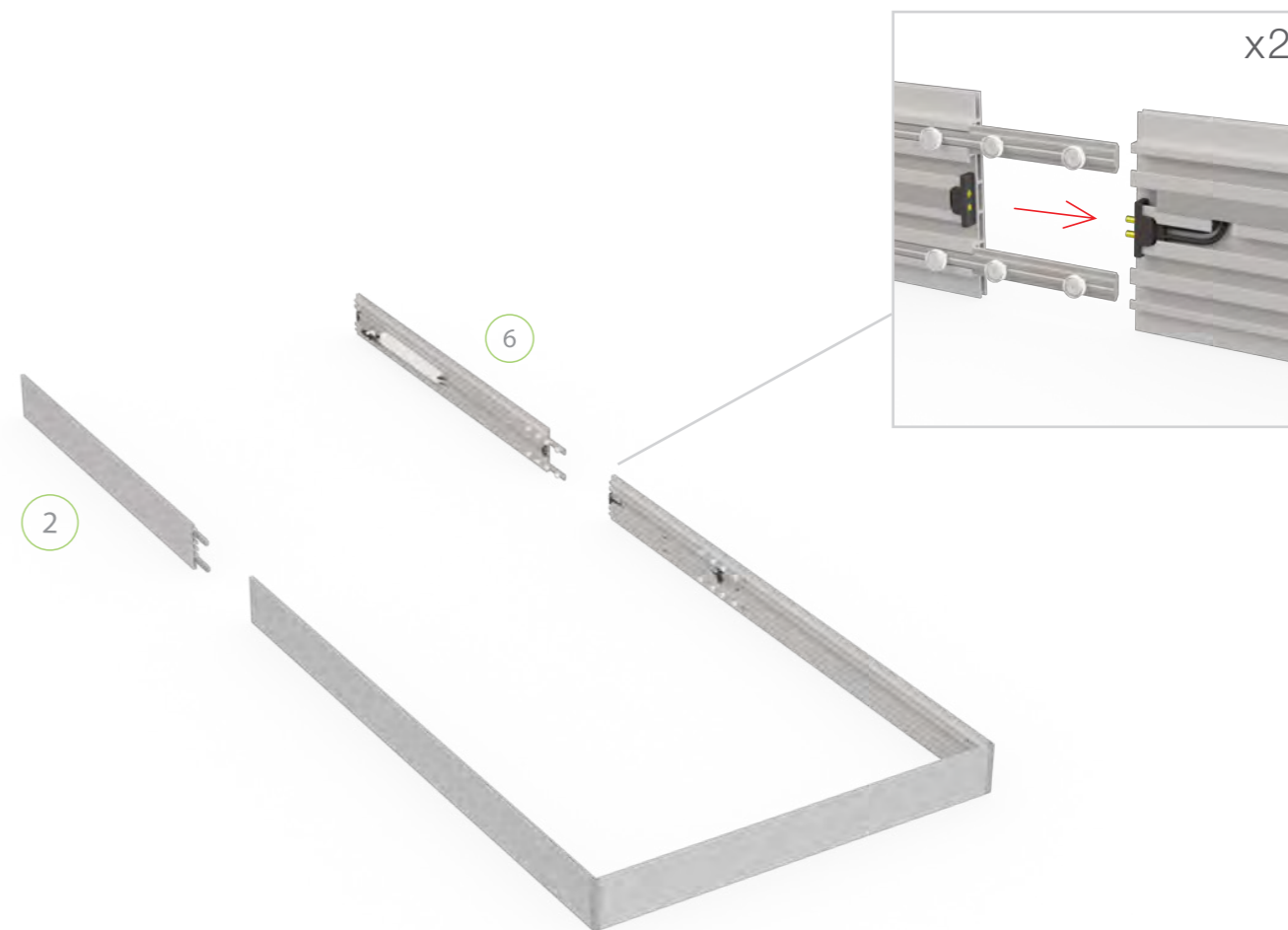


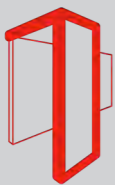


11.

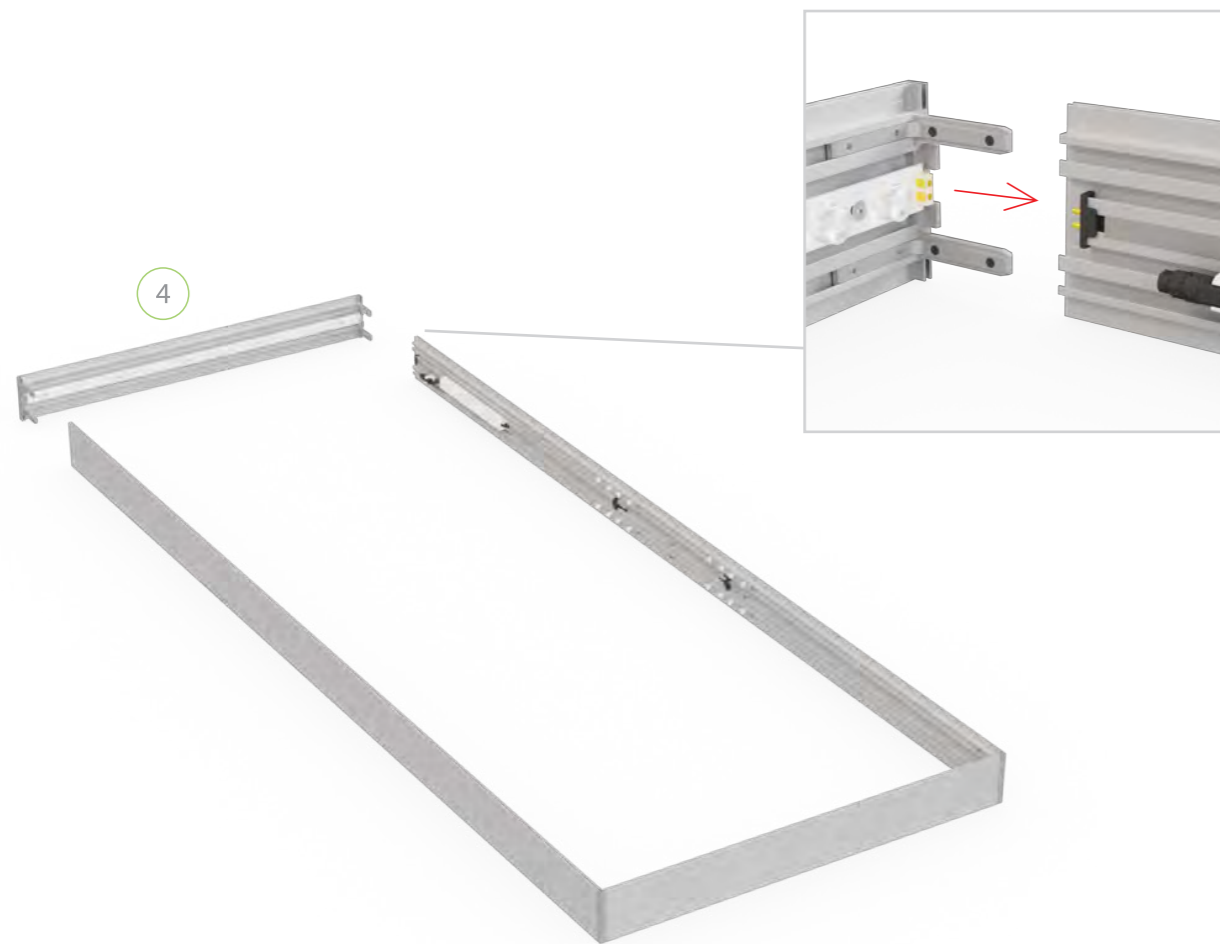


12.

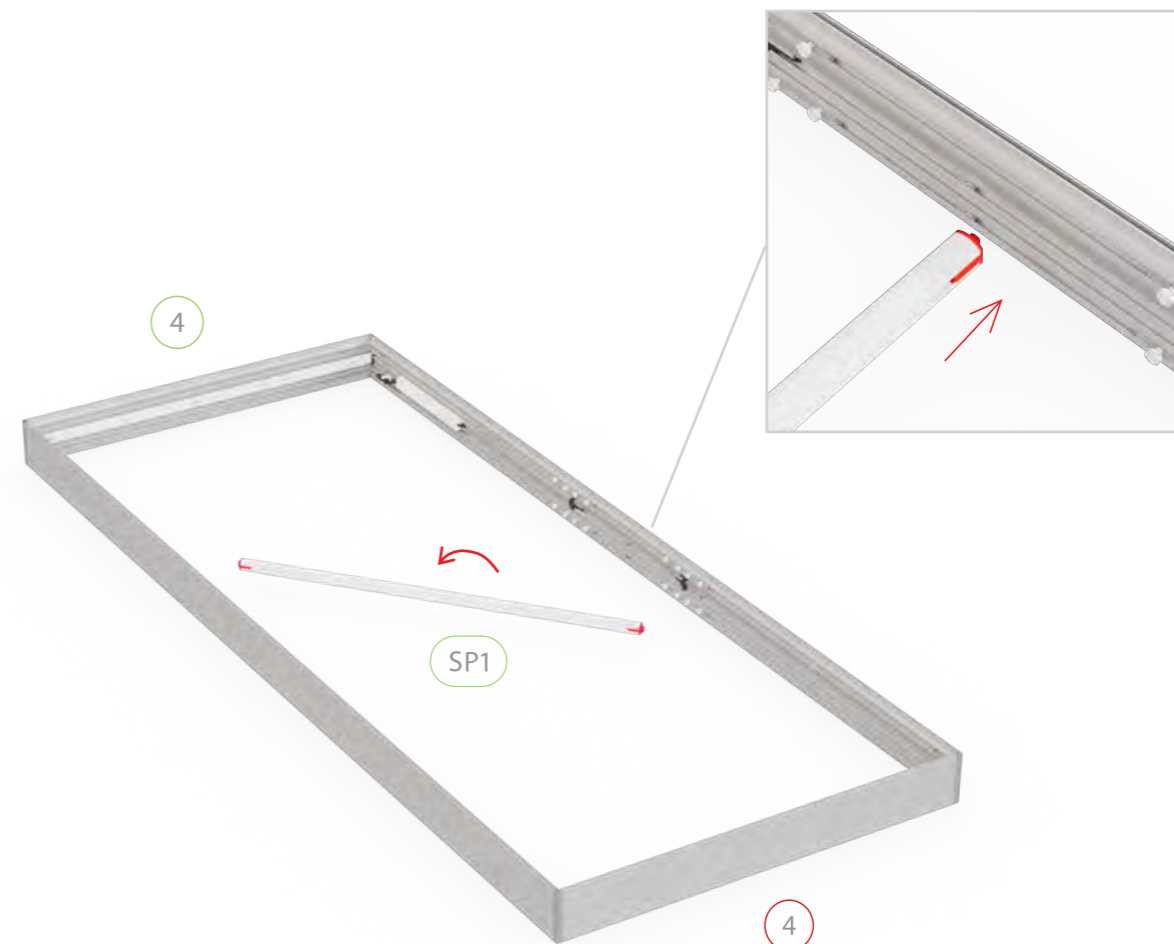


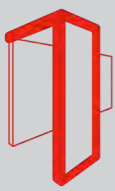


13.



14.





BLUP-br-2xx-2xx



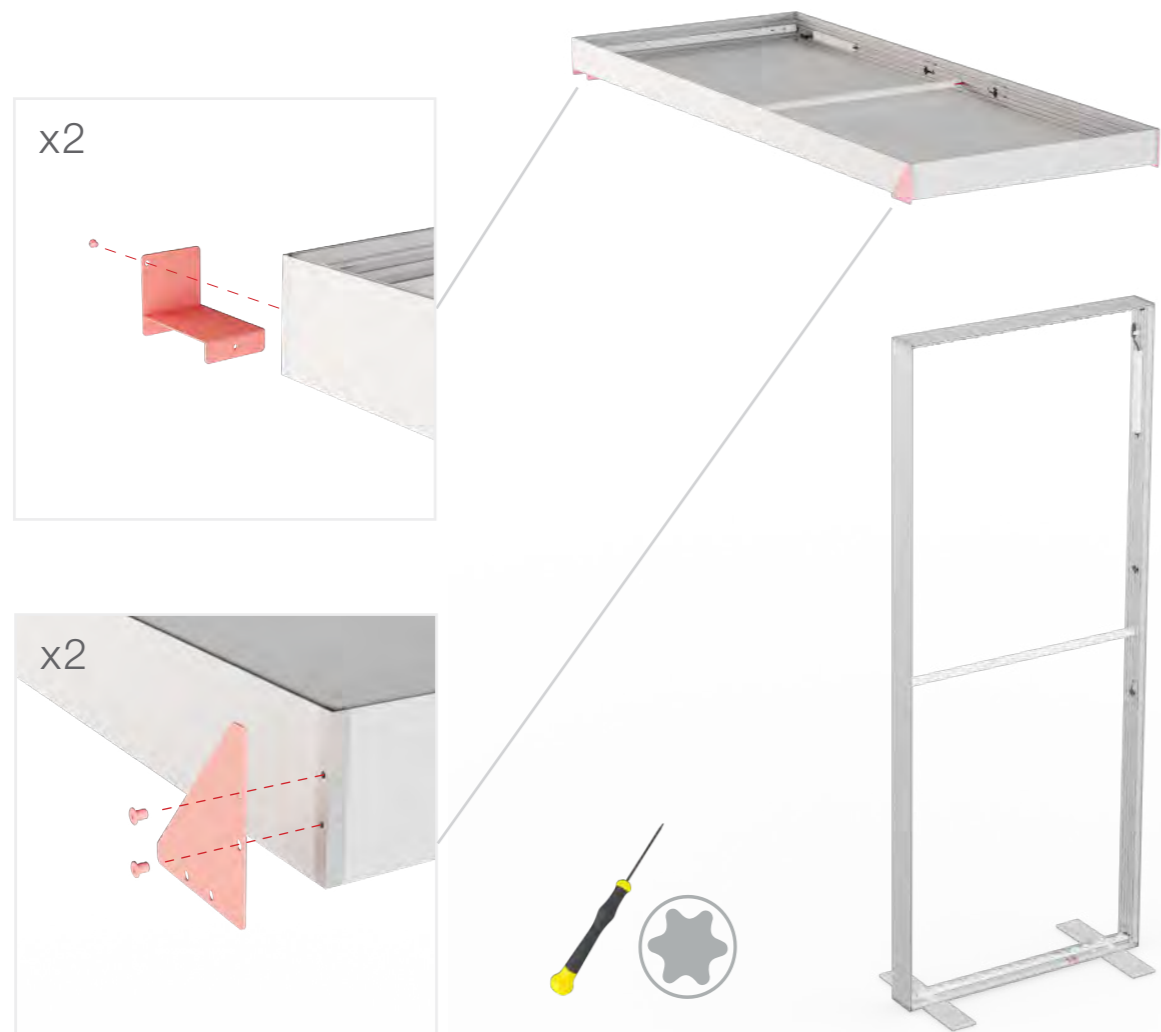
15.





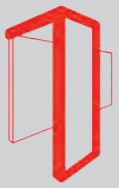
BLUP-br-2xx-2xx

16.



17.



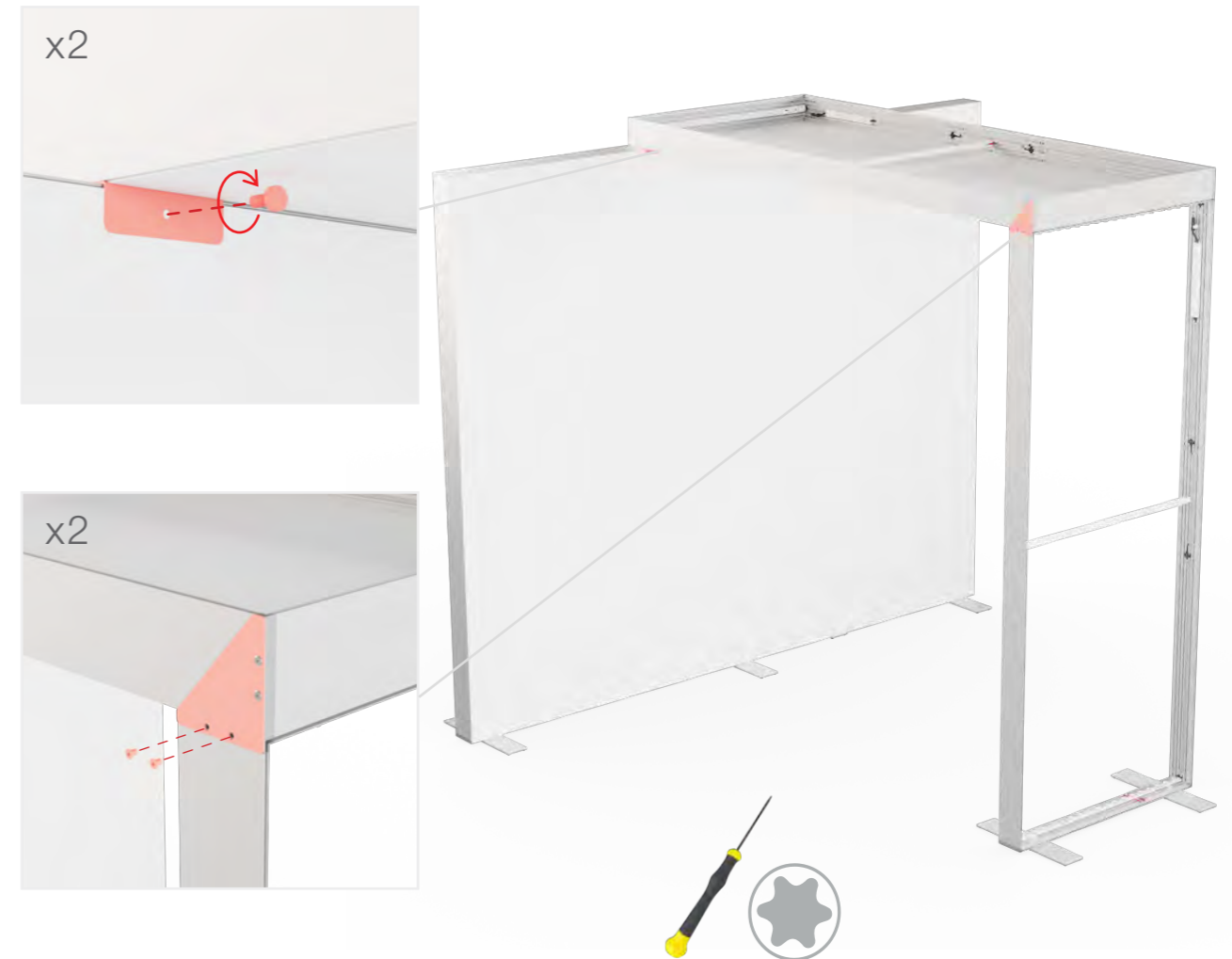


BLUP-br-2xx-2xx

18.



19.

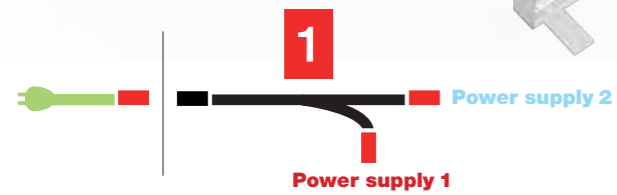
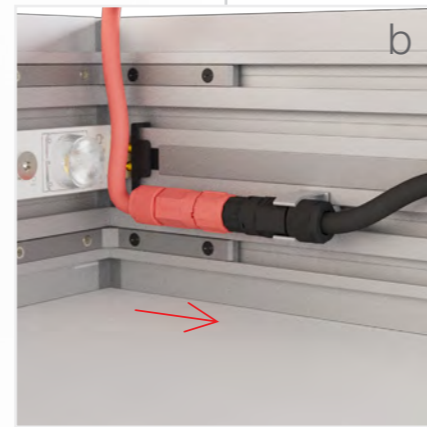
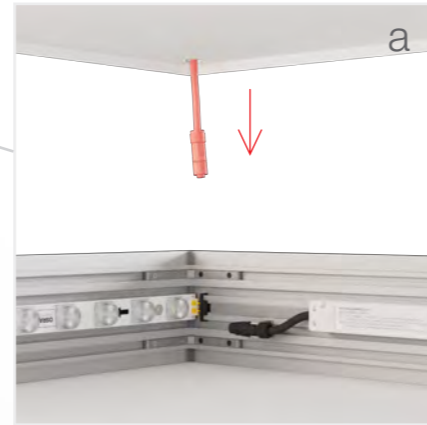




20.



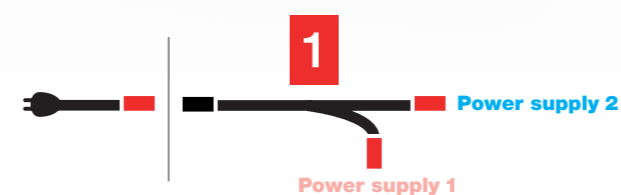
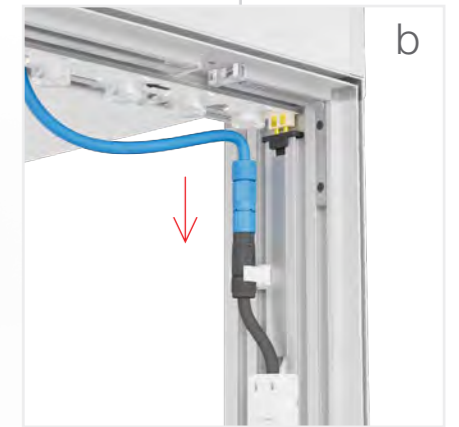
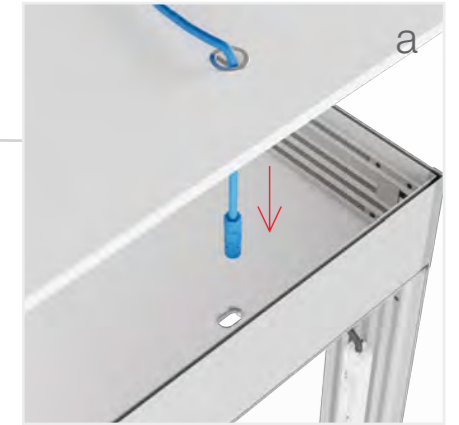
Power supply 1



21.



Power supply 2





BLUP-br-2xx-2xx

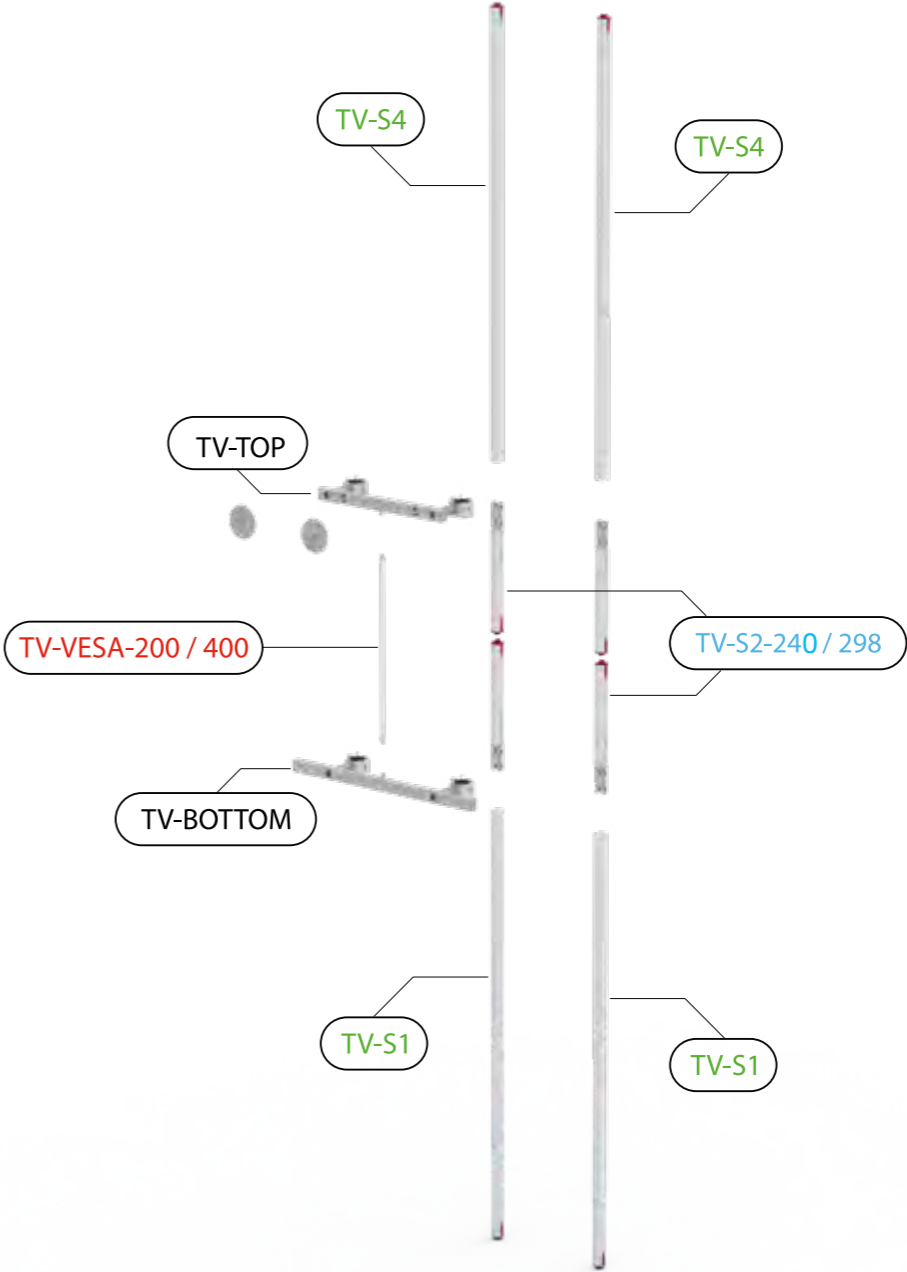
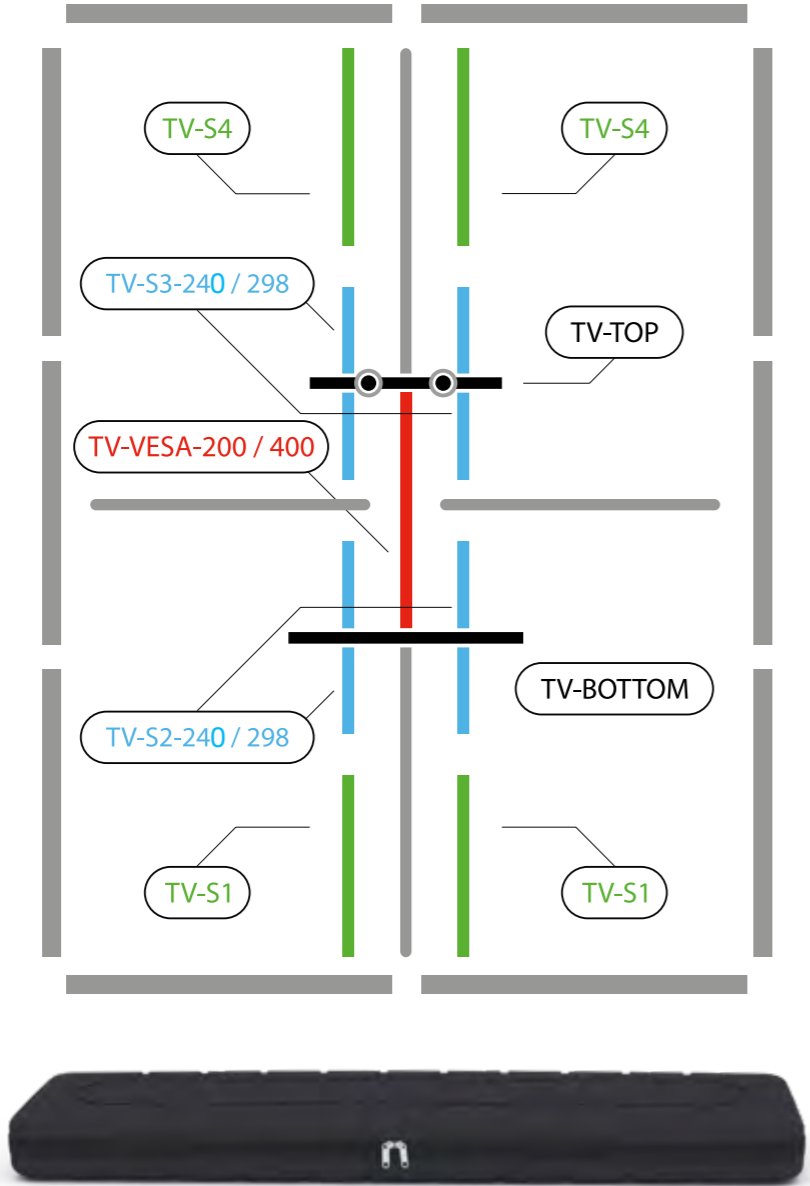
22.



23.







1.



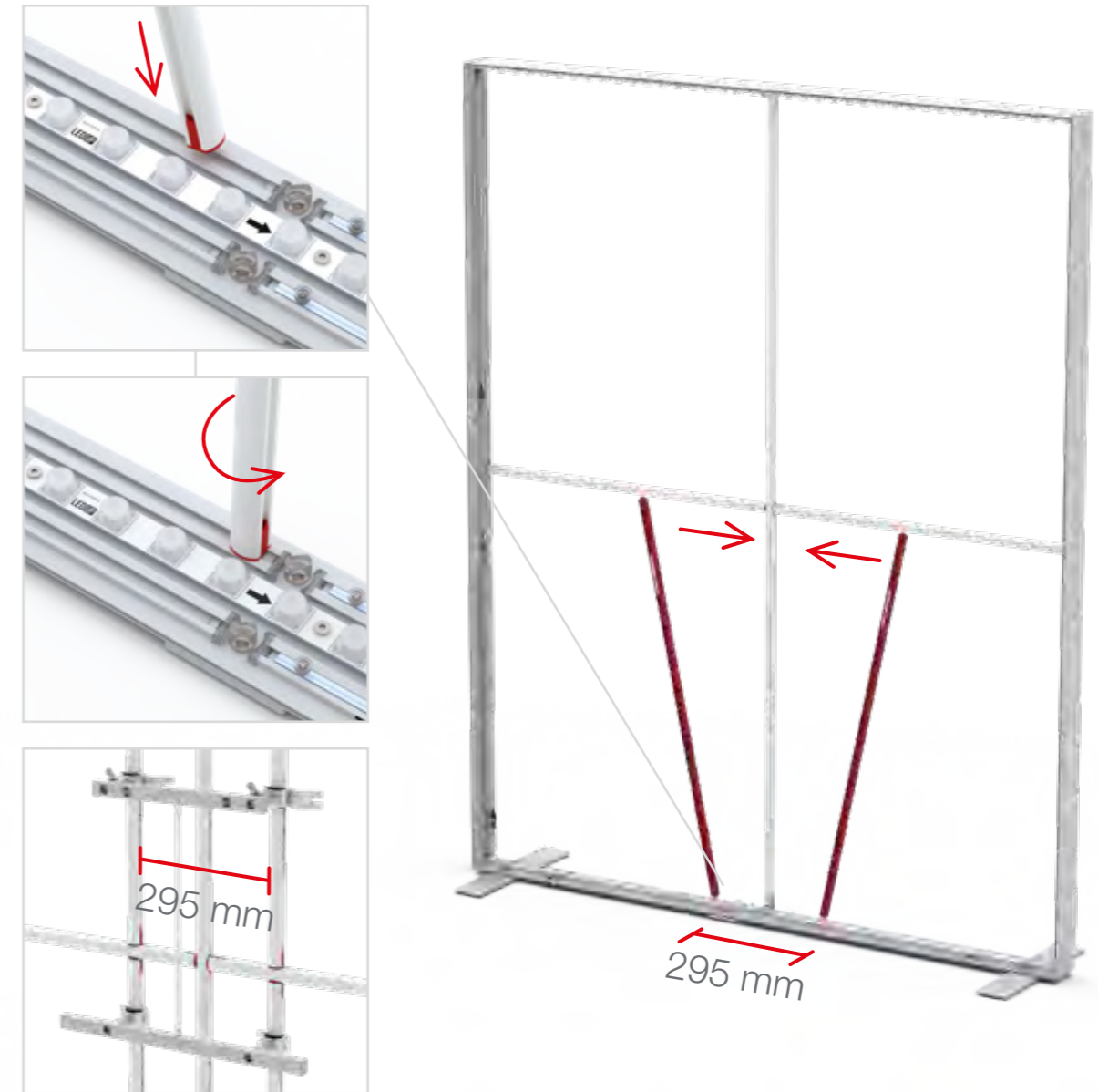
2.

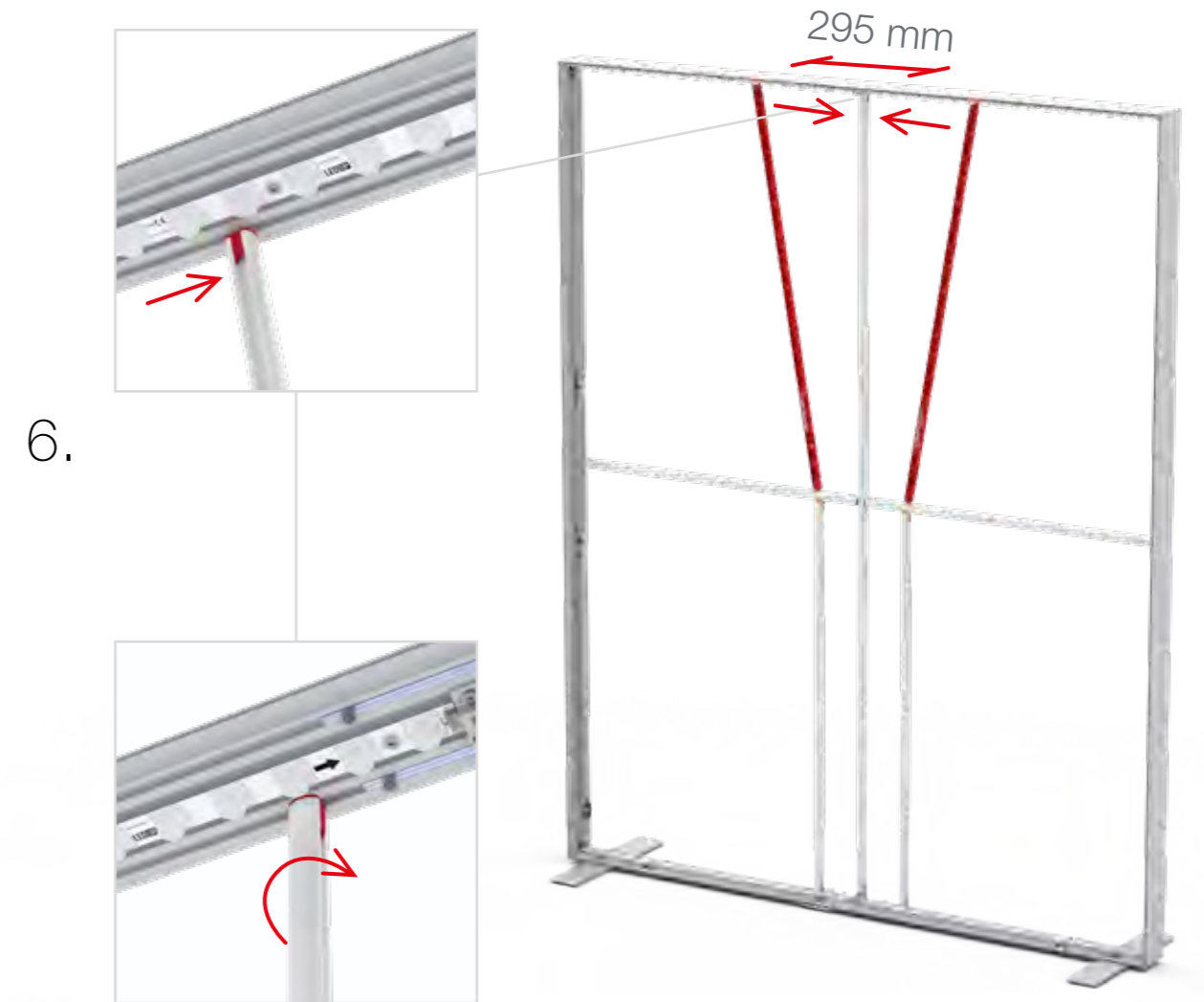


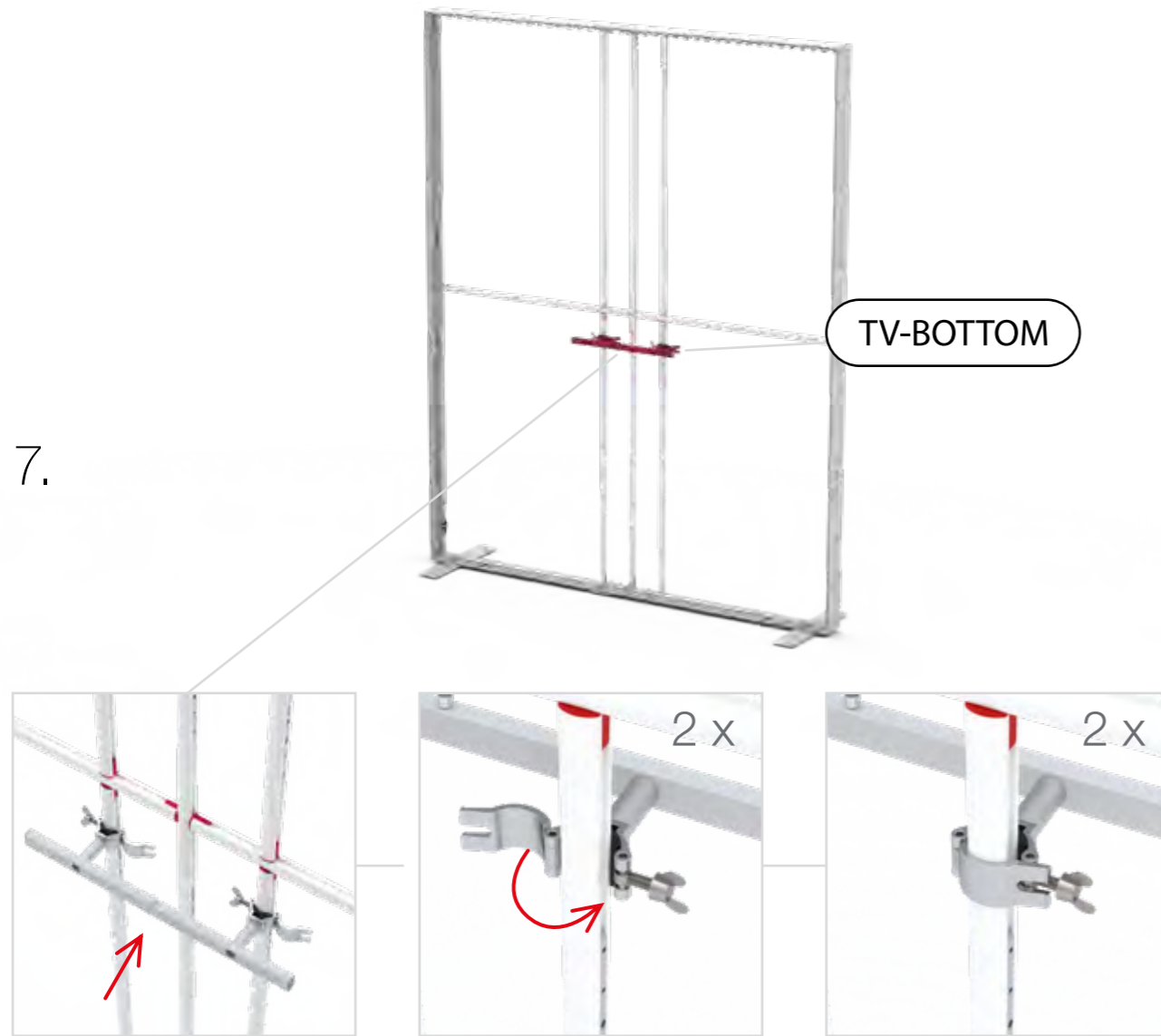
3.

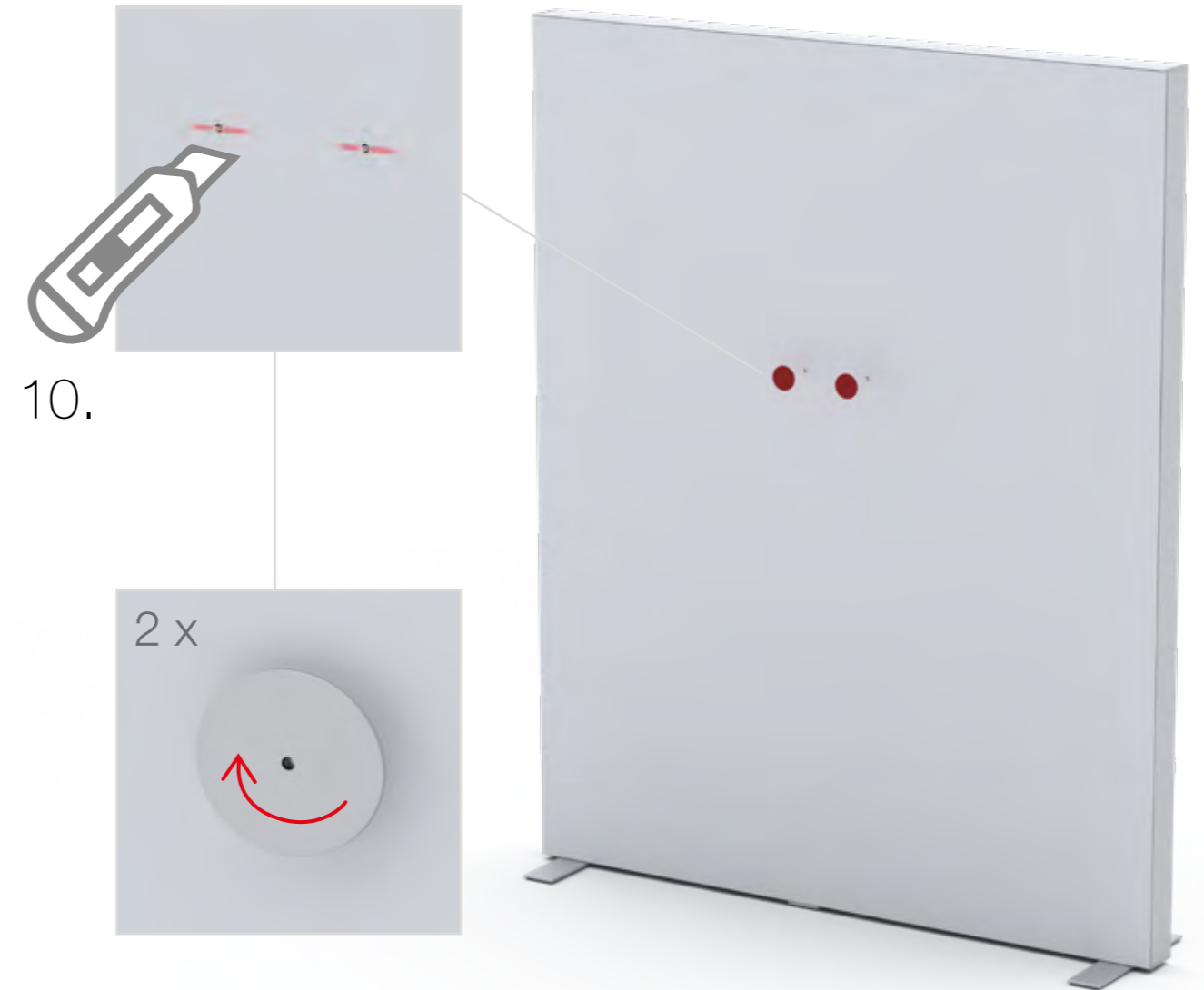
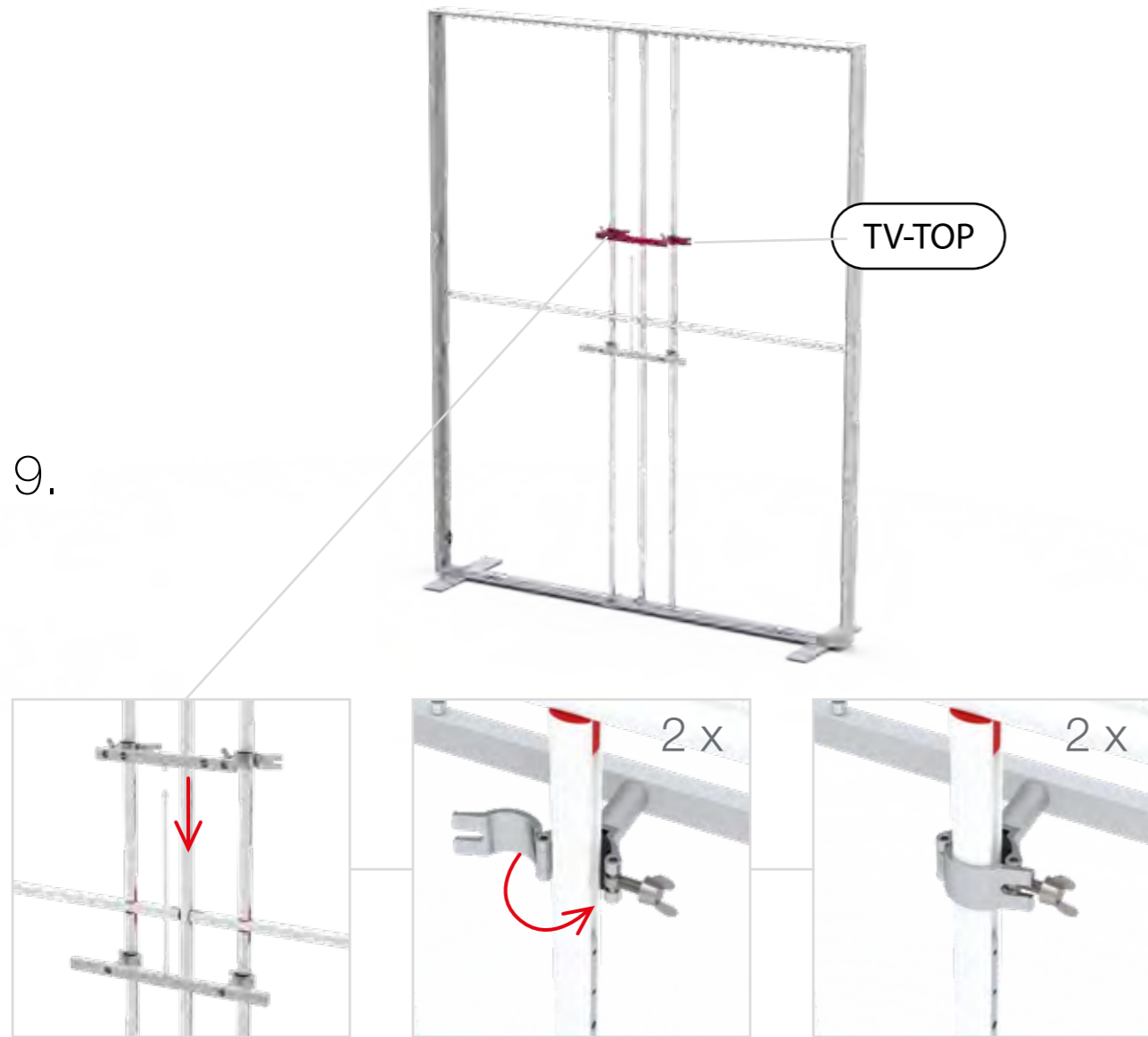


4.

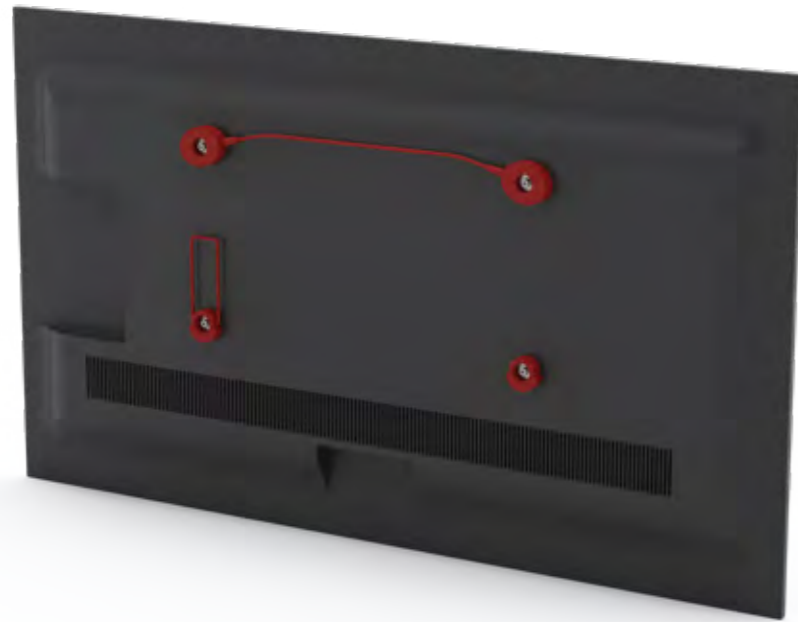




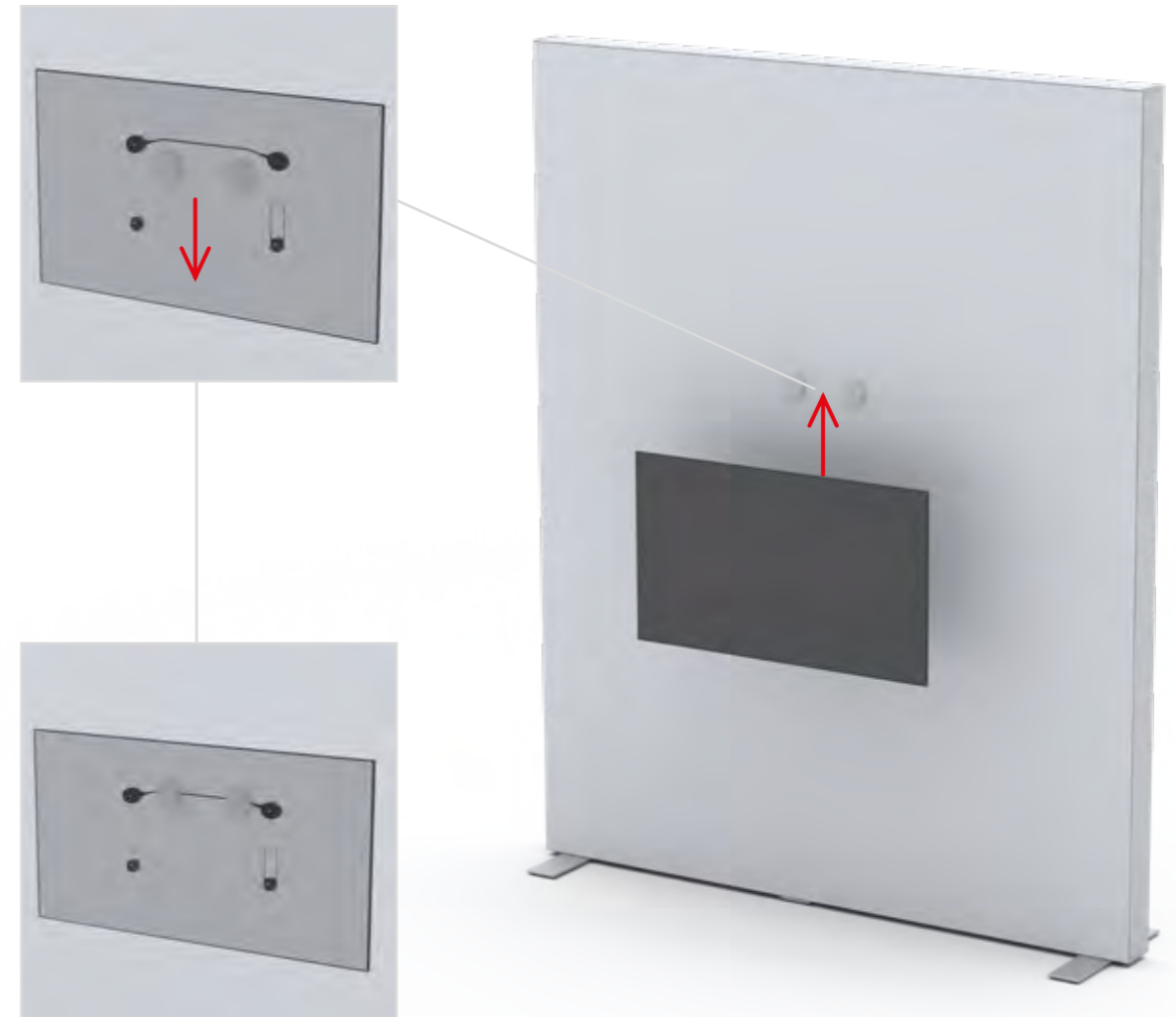




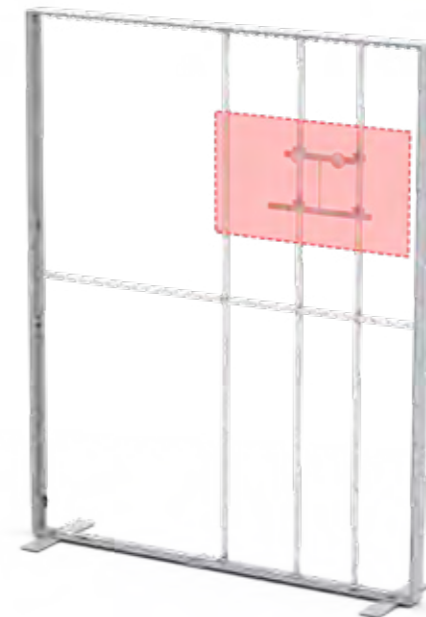
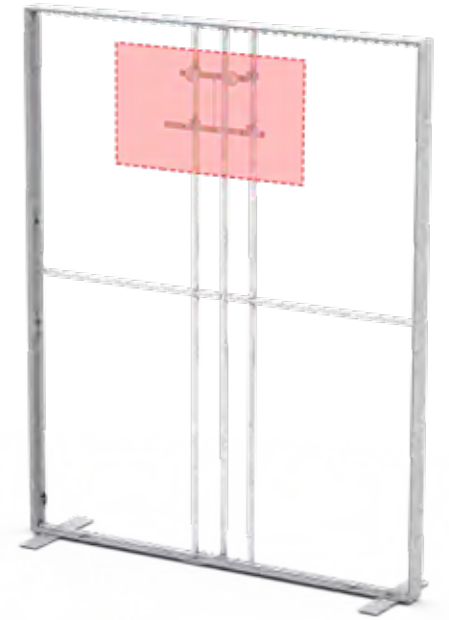
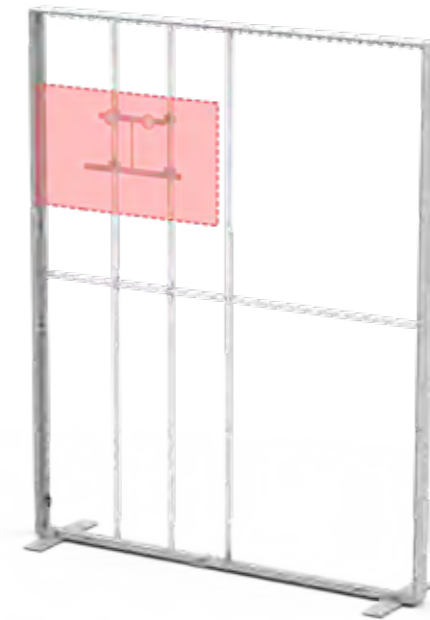
11.



12.



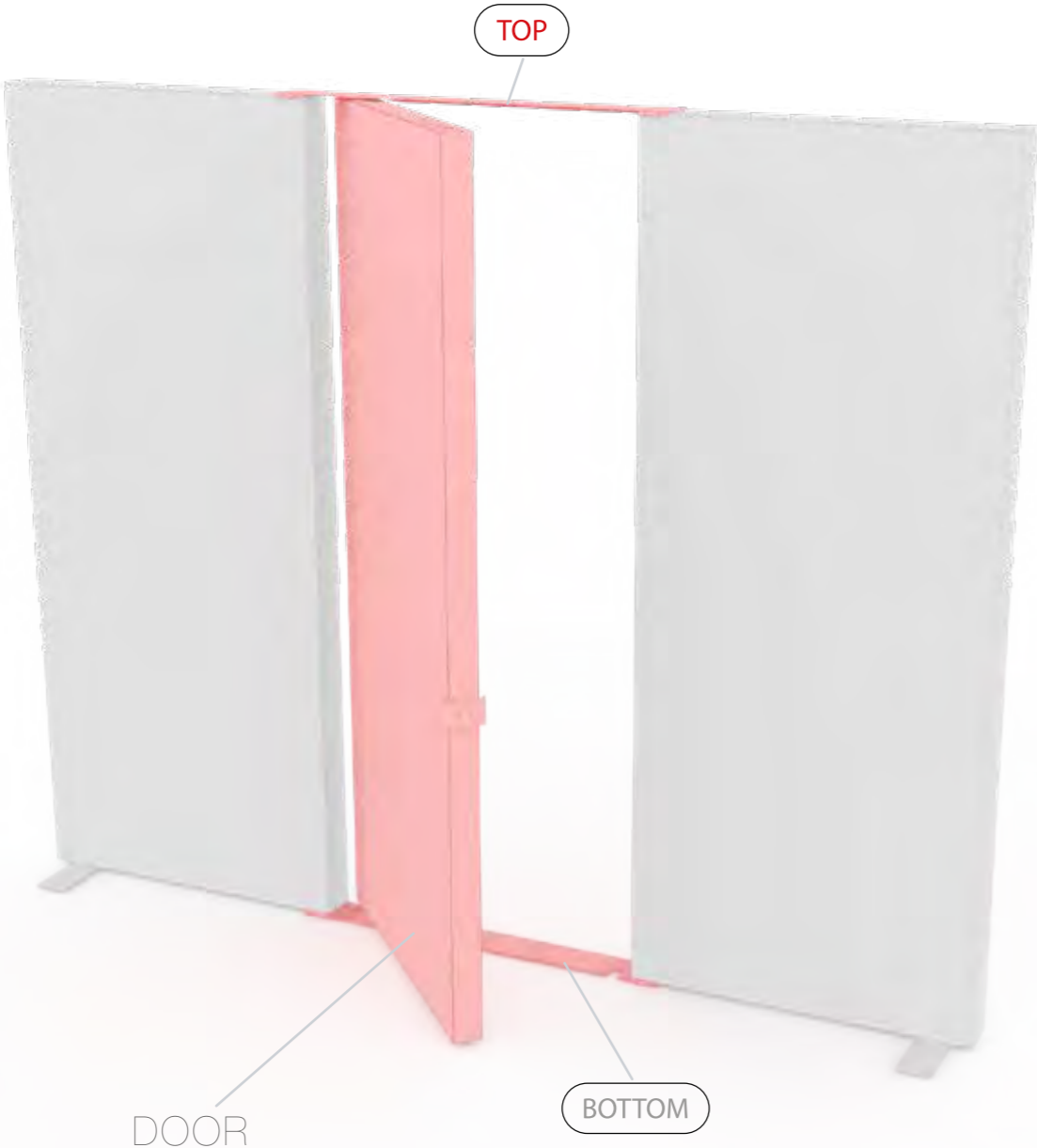
13.



SET UP INSTRUCTION  
ACCESSORIES

The text 'BIG LED UP DOOR' is displayed in a bold, stylized font. The letters are filled with a vibrant, multi-colored pattern of horizontal streaks in shades of blue, red, yellow, and white, giving it a dynamic, high-tech appearance. The text is arranged in two lines: 'BIG LED UP' on the top line and 'DOOR' on the bottom line. The entire graphic is enclosed within a thin red rectangular border.

**BIG LED UP  
DOOR**



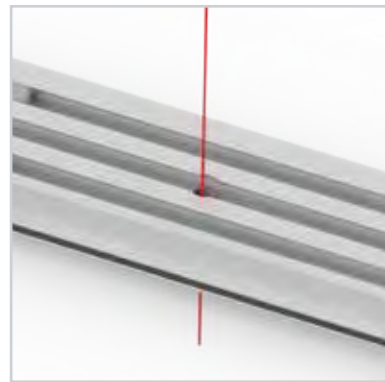
Gerade Version/straight version ..... 4  
Aufbauanleitung/set up instruction



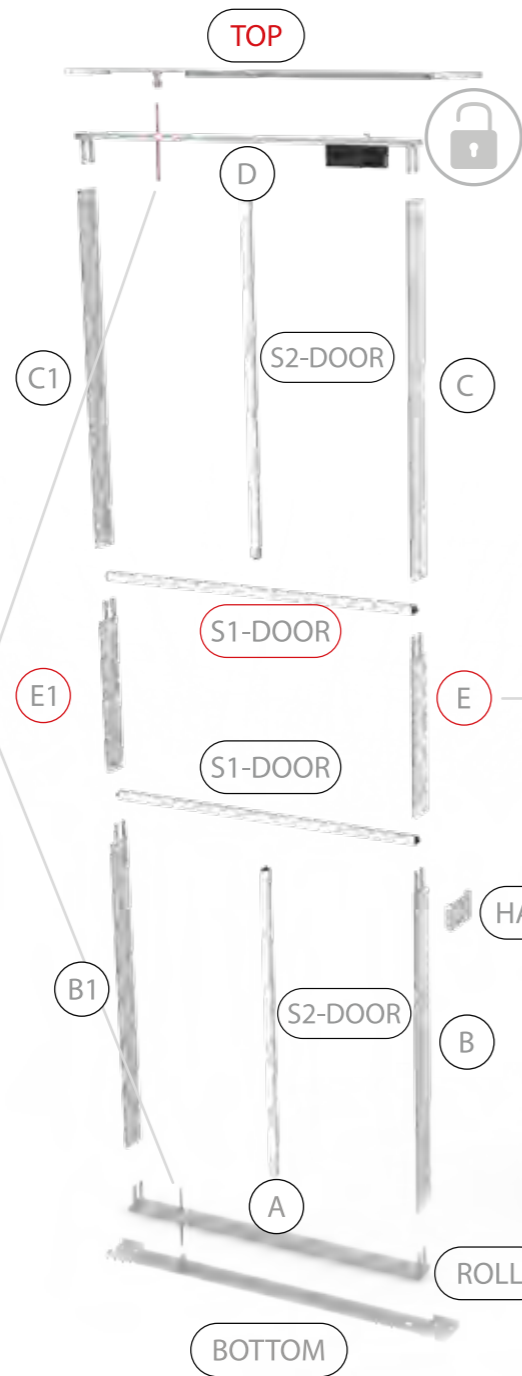
Eck- & Kojenversion/corner & storage version.....30  
Aufbauanleitung/set up instruction



# BIG LED UP DOOR



AXIS



RAHMENGRÖSSE/FRAME  
SIZE: 98 x 199,2 / 239,2 / 297,2cm

E1 S1-DOOR E

NUR FÜR DIE HÖHE  
240/298 ERFORDERLICH  
ONLY NEEDED FOR THE  
HEIGHT 240/298

HANDLE



ROLL

BOTTOM



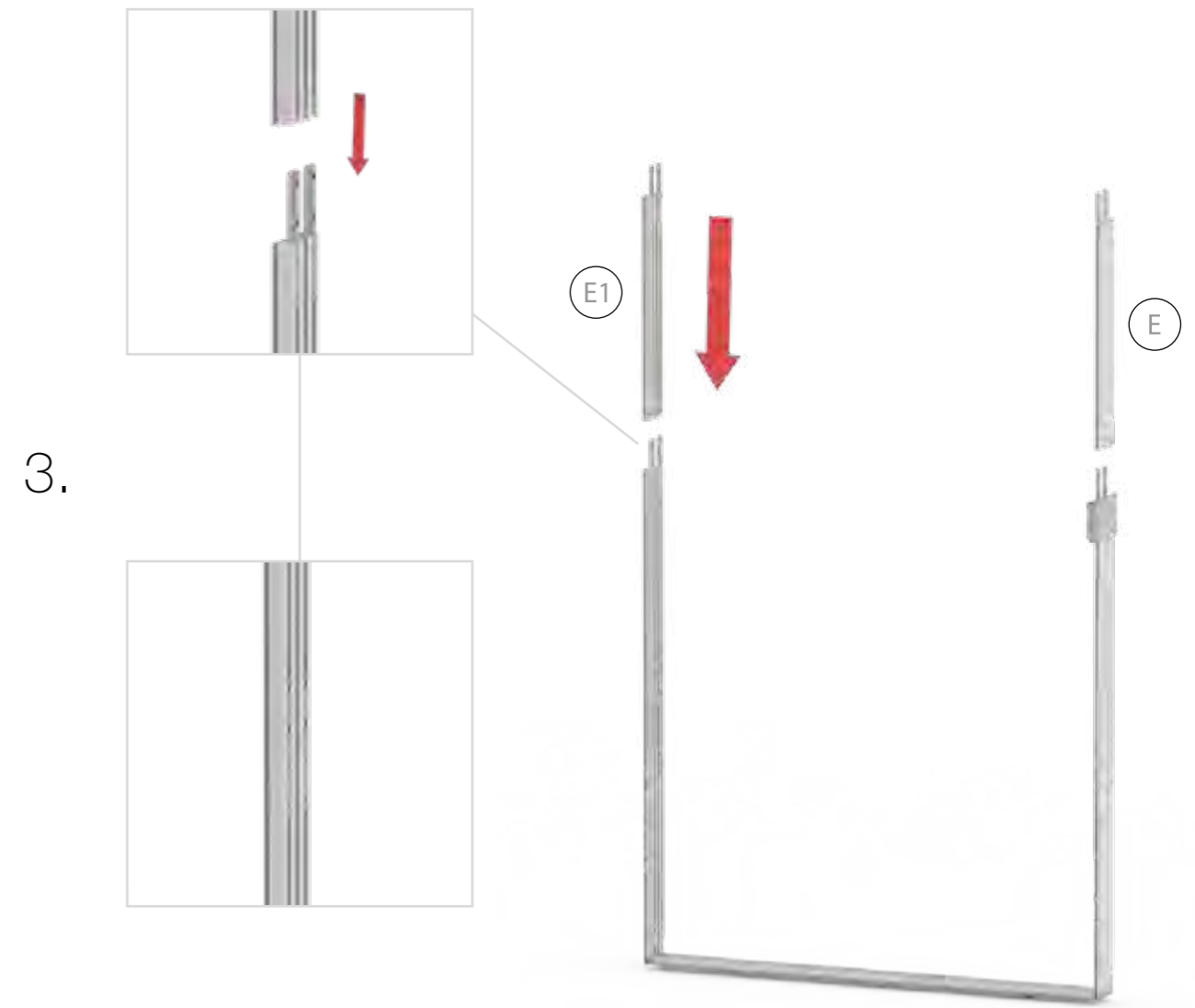
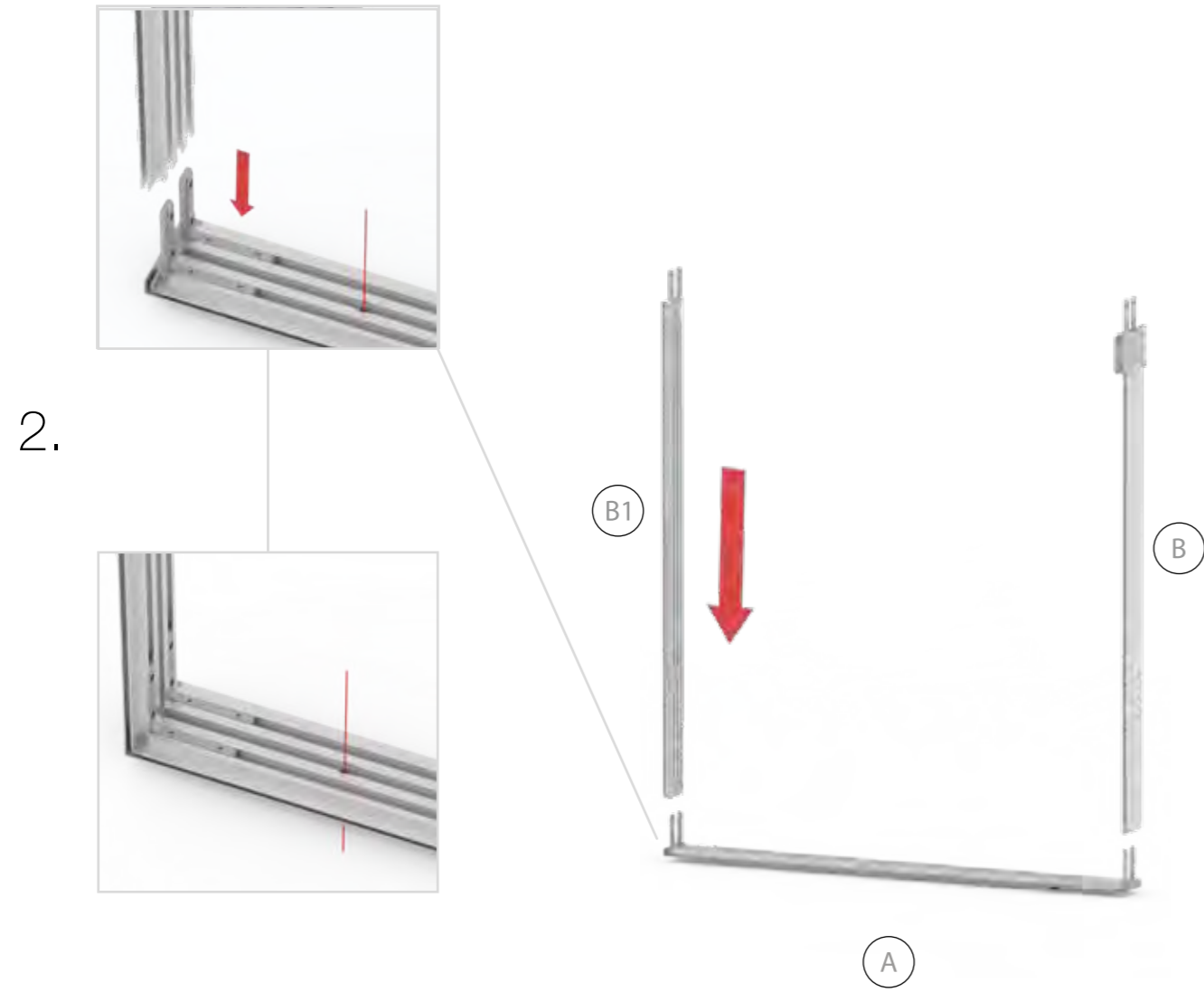
1.



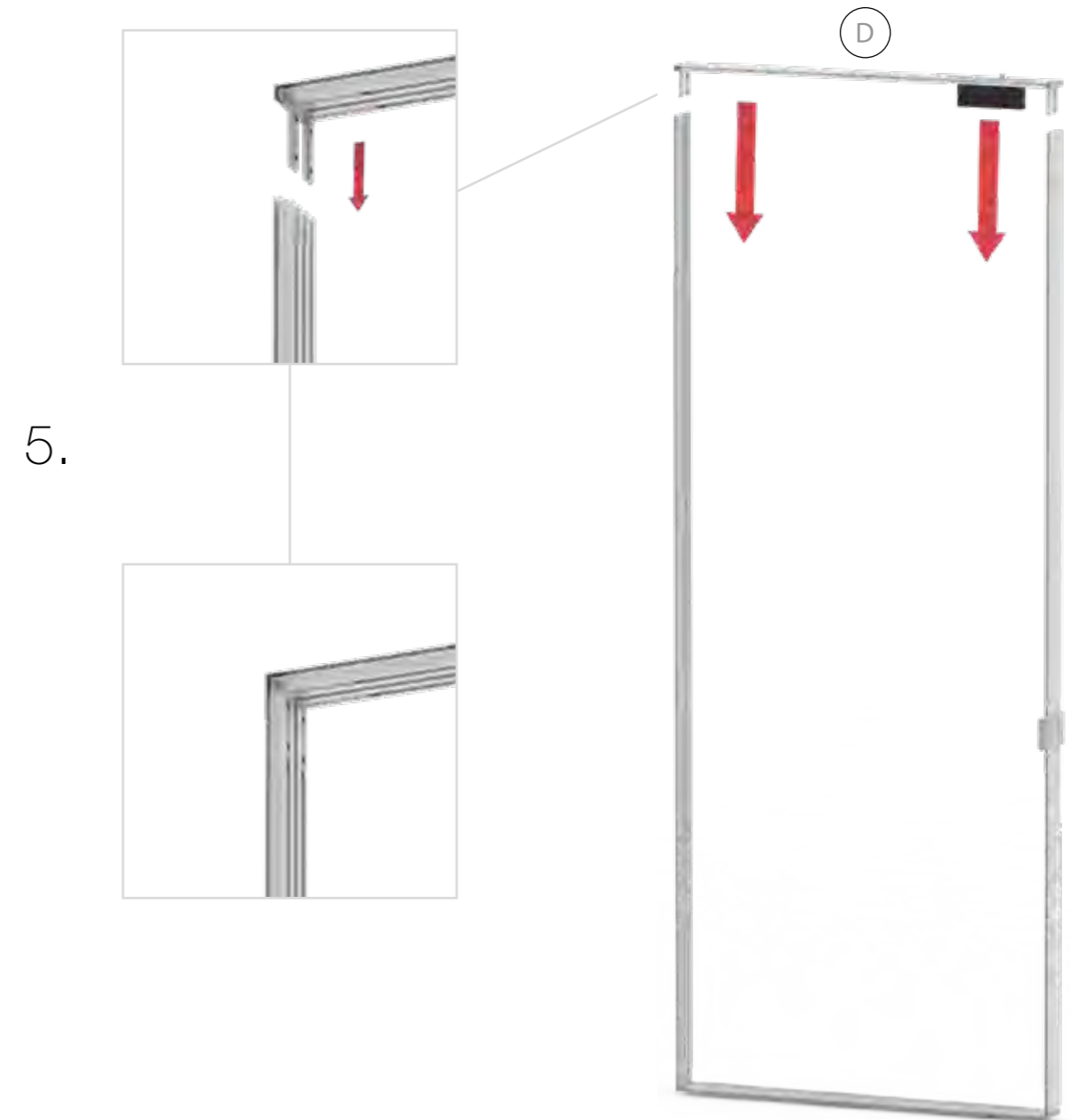
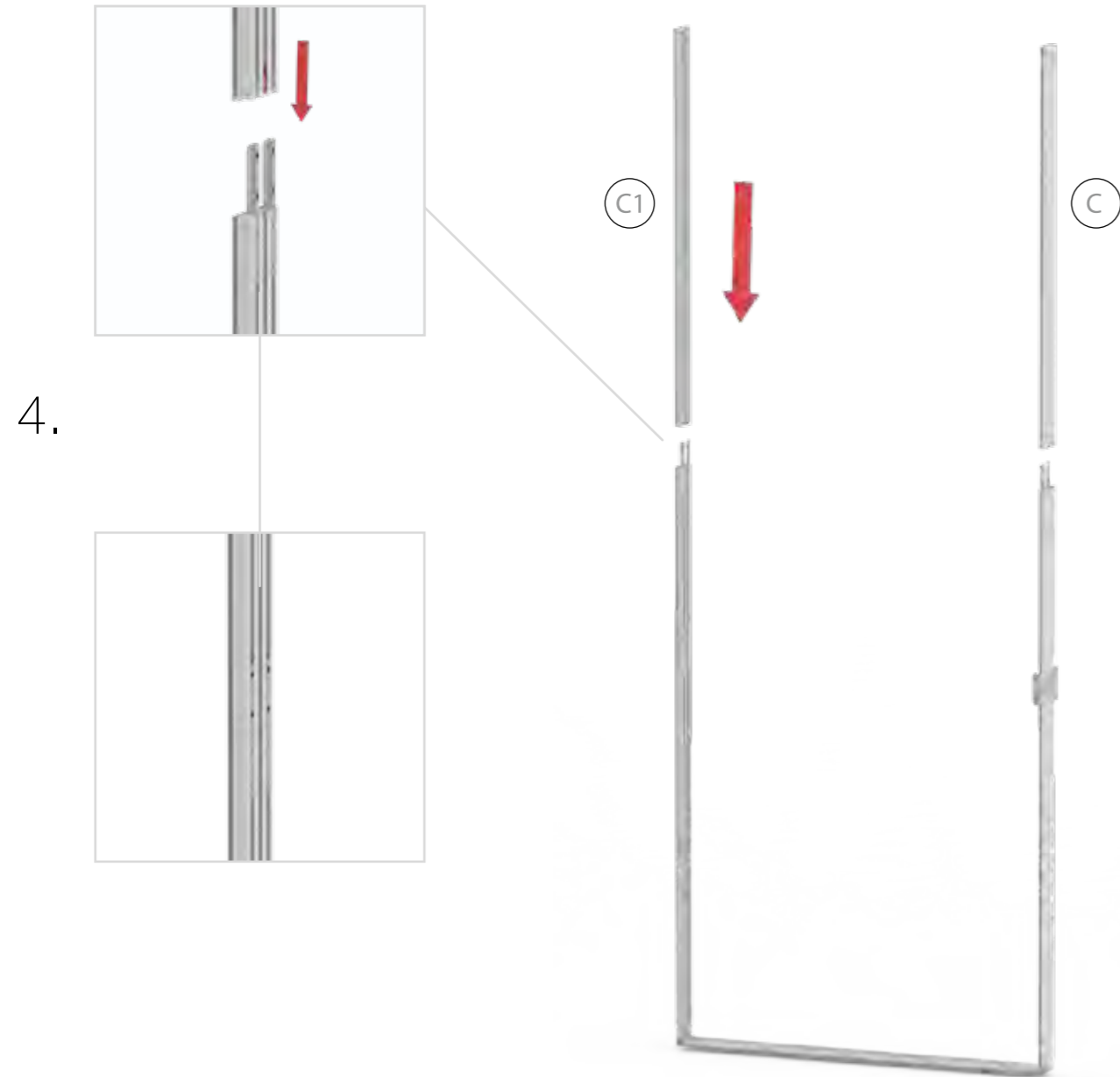
HANDLE

B

# TÜR/DOOR

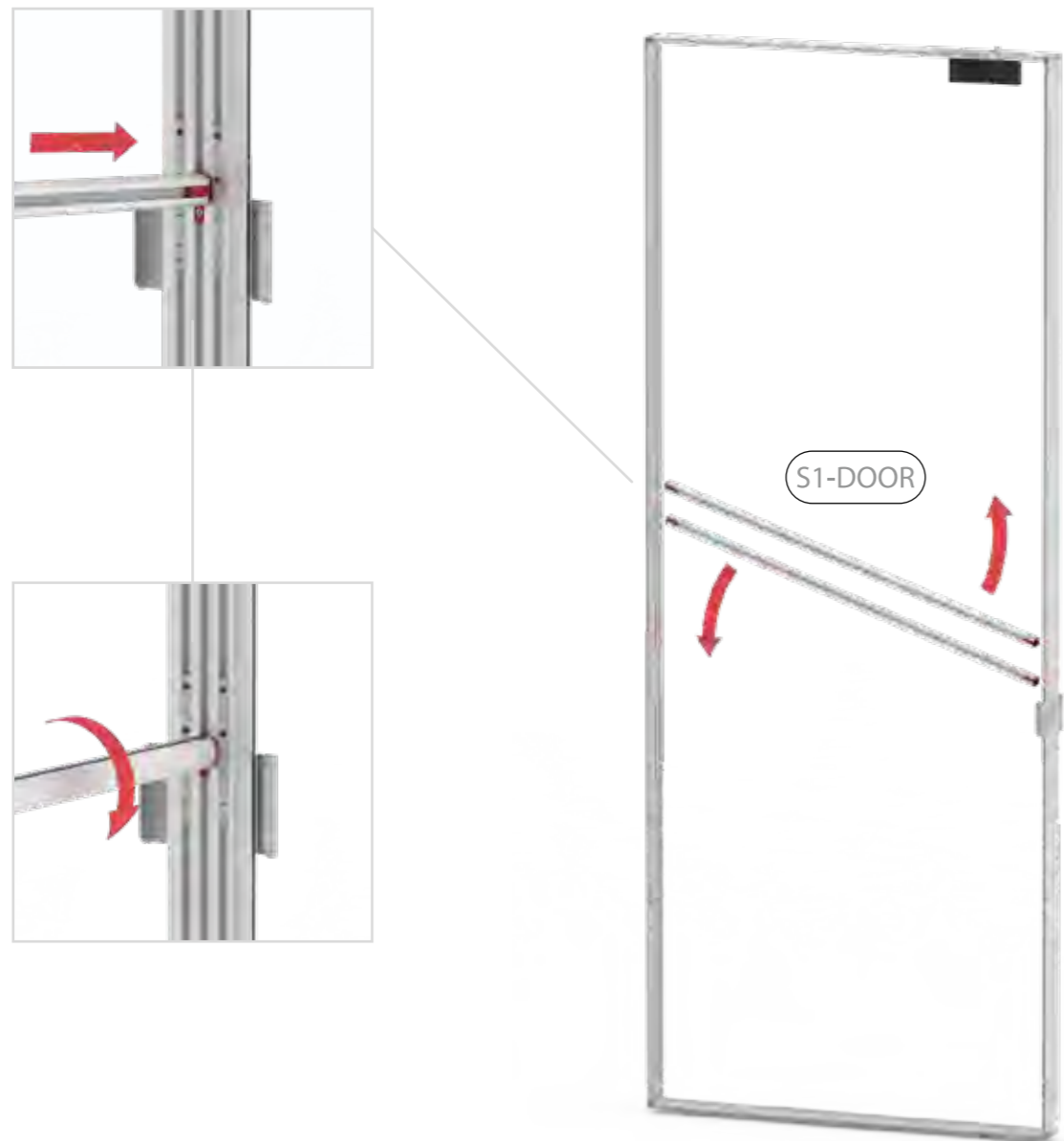


# TÜR/DOOR

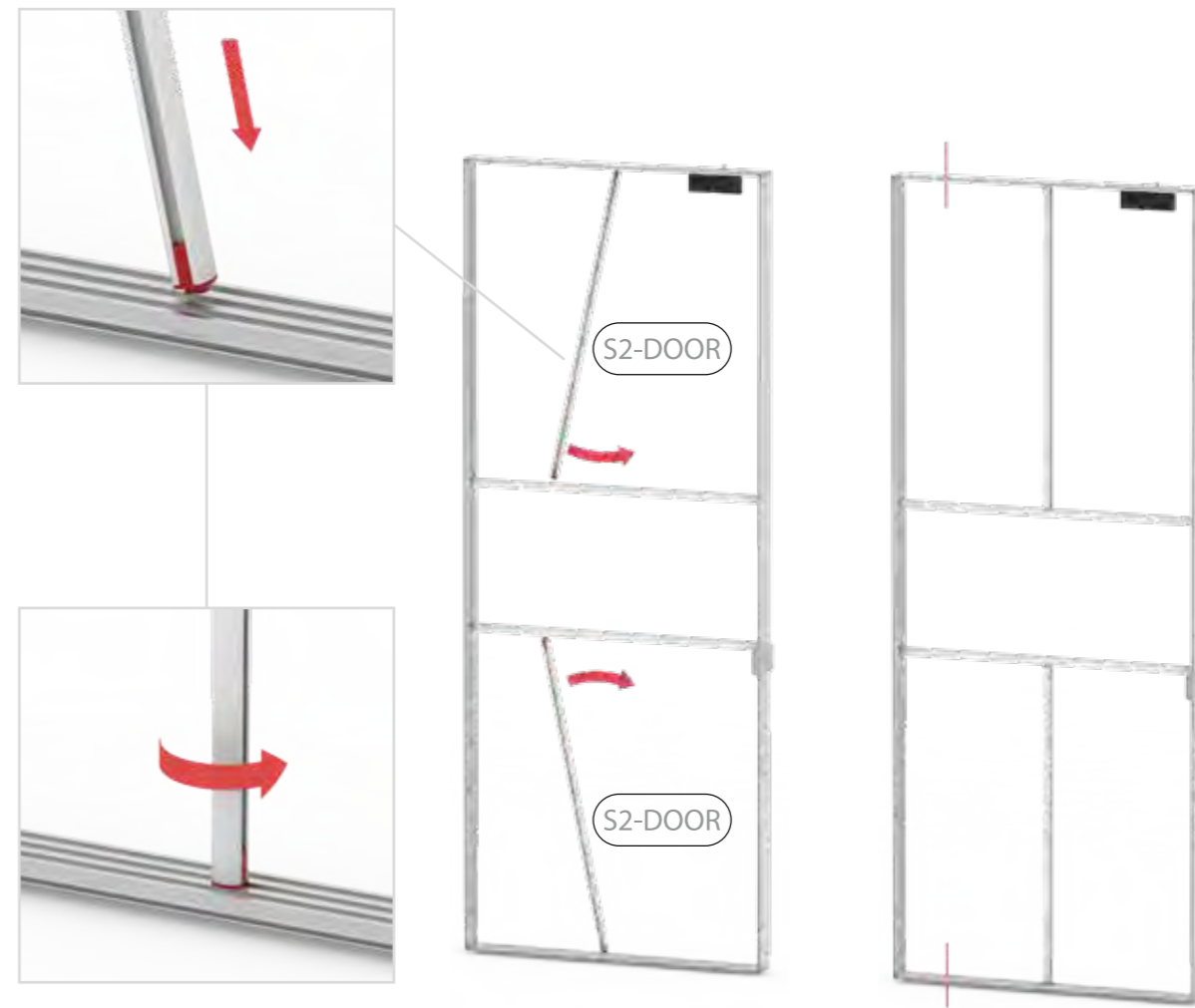


# TÜR/DOOR

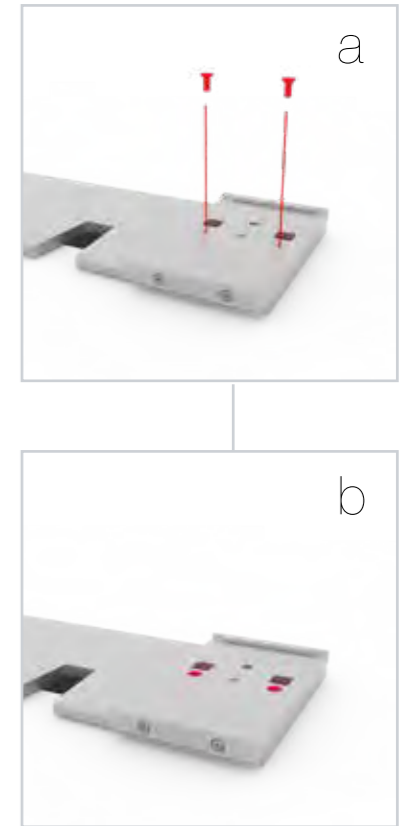
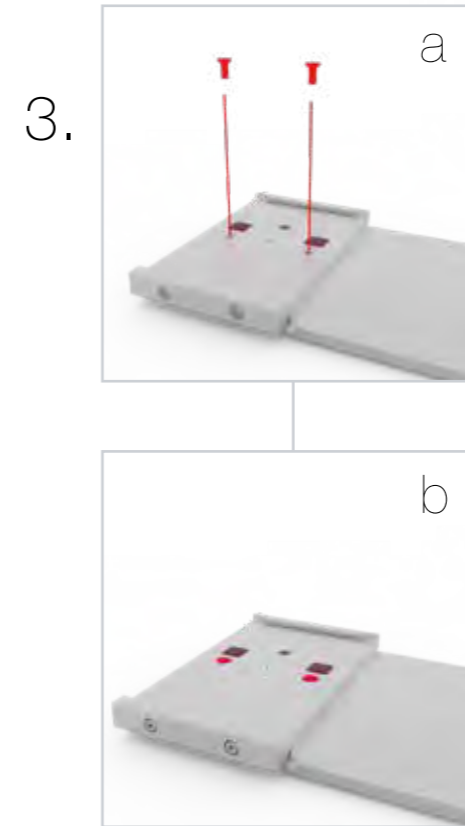
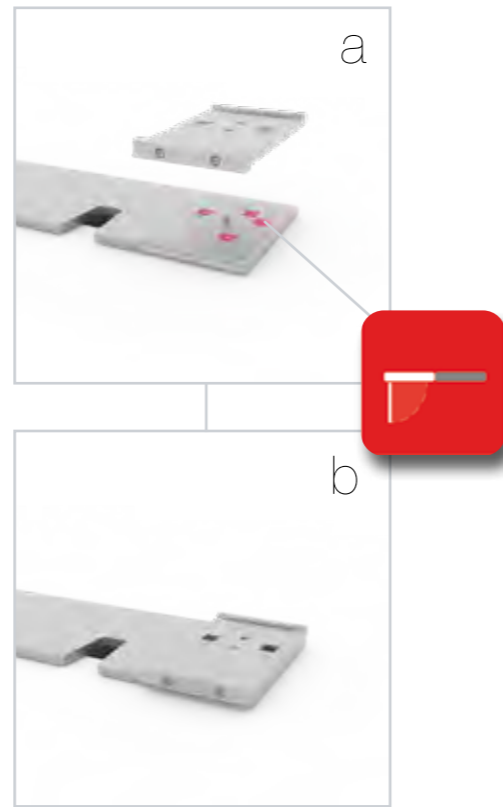
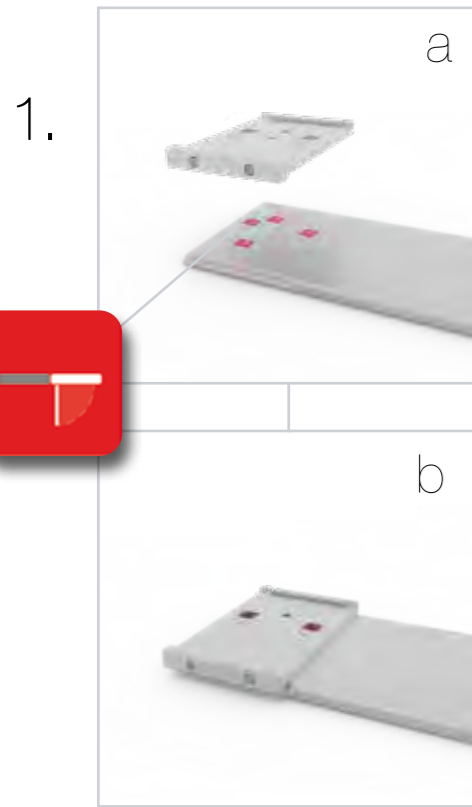
6.



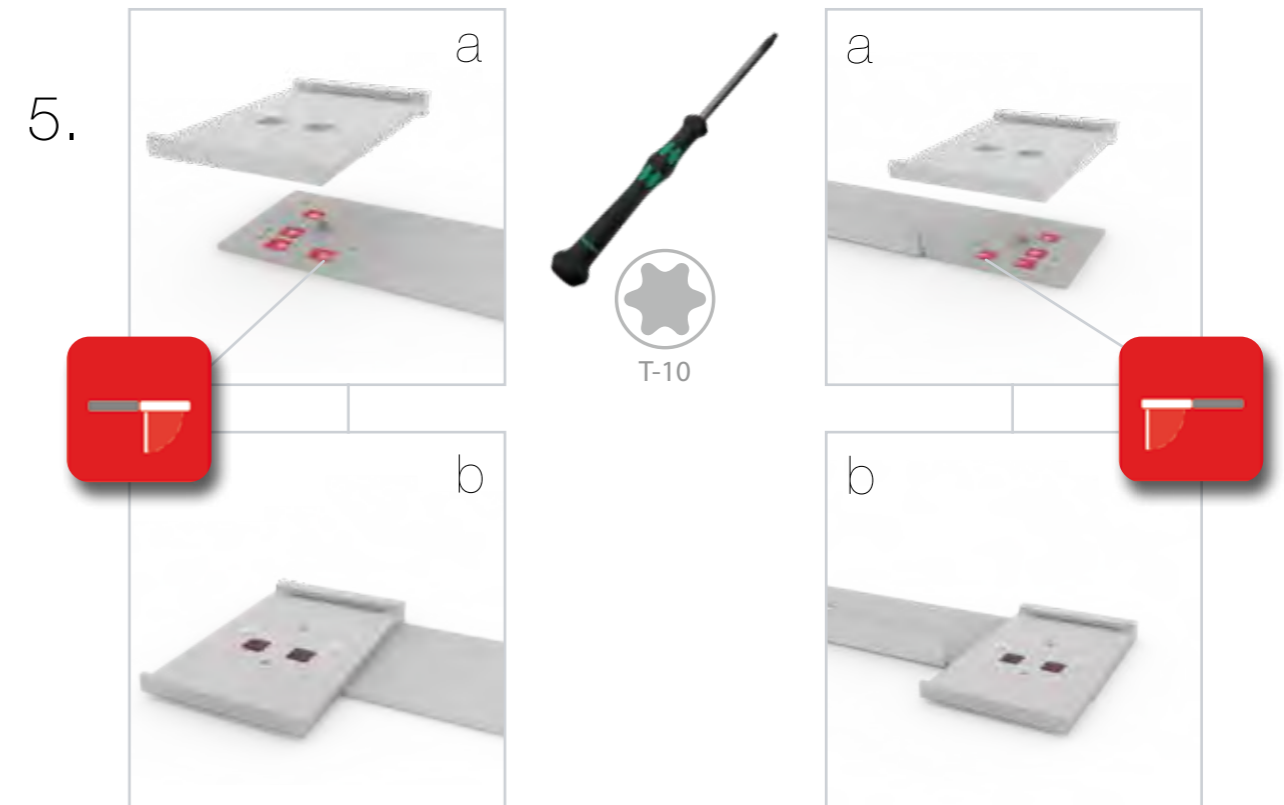
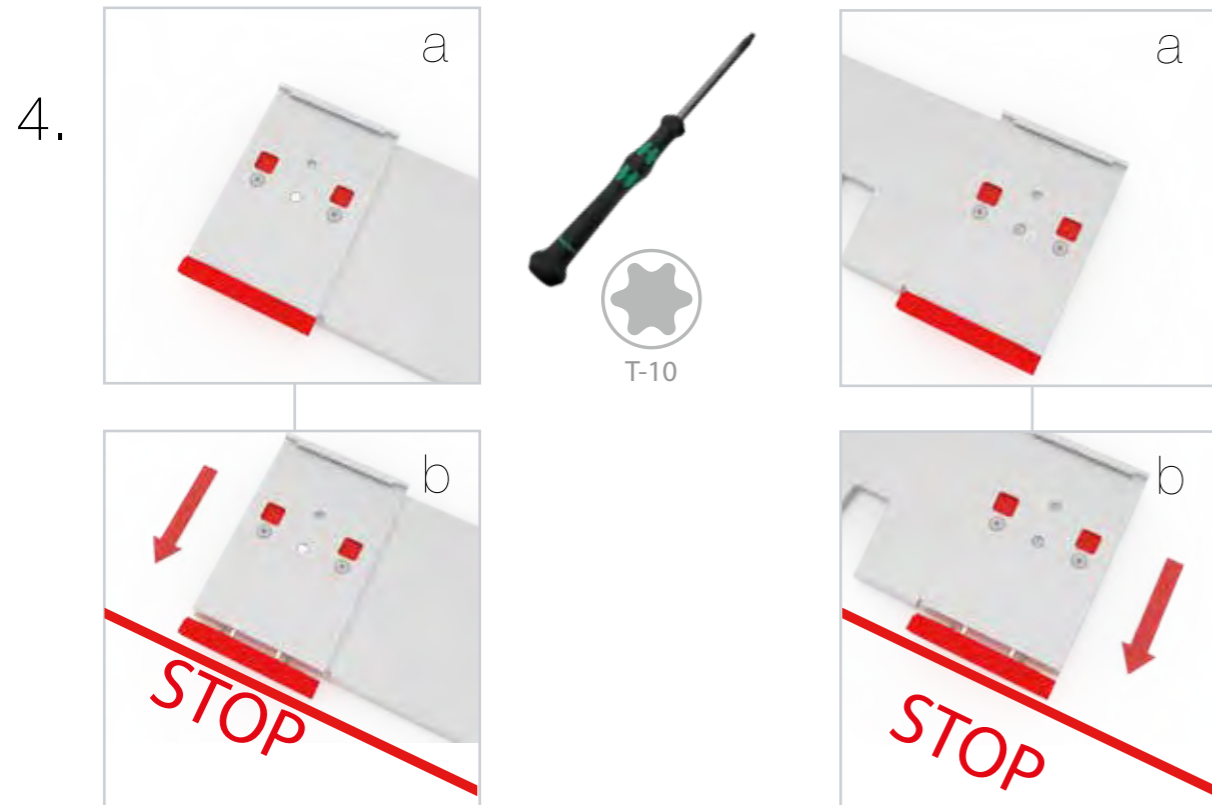
7.



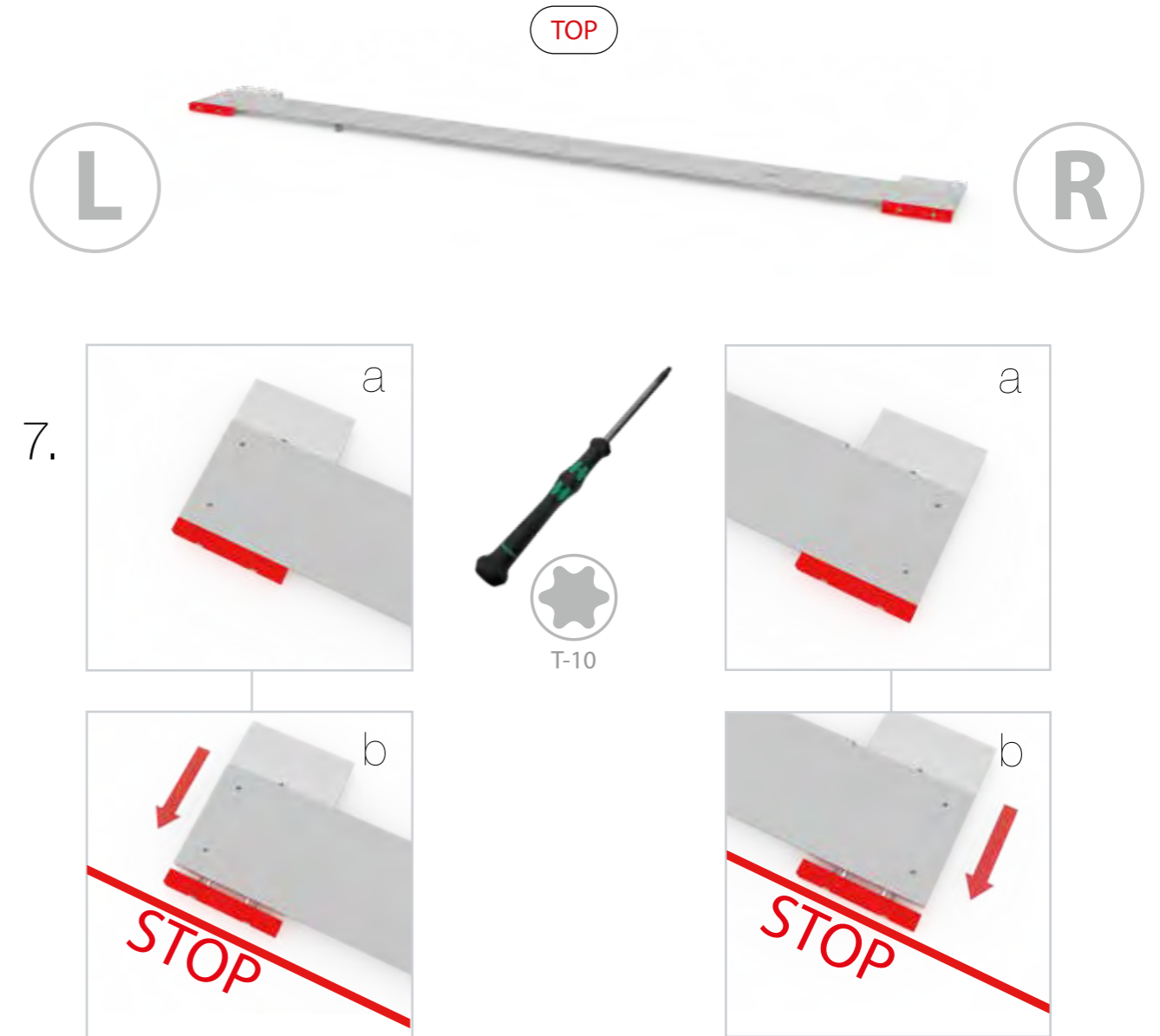
# GERADE VERSION/STRAIGHT VERSION



# GERADE VERSION/STRAIGHT VERSION

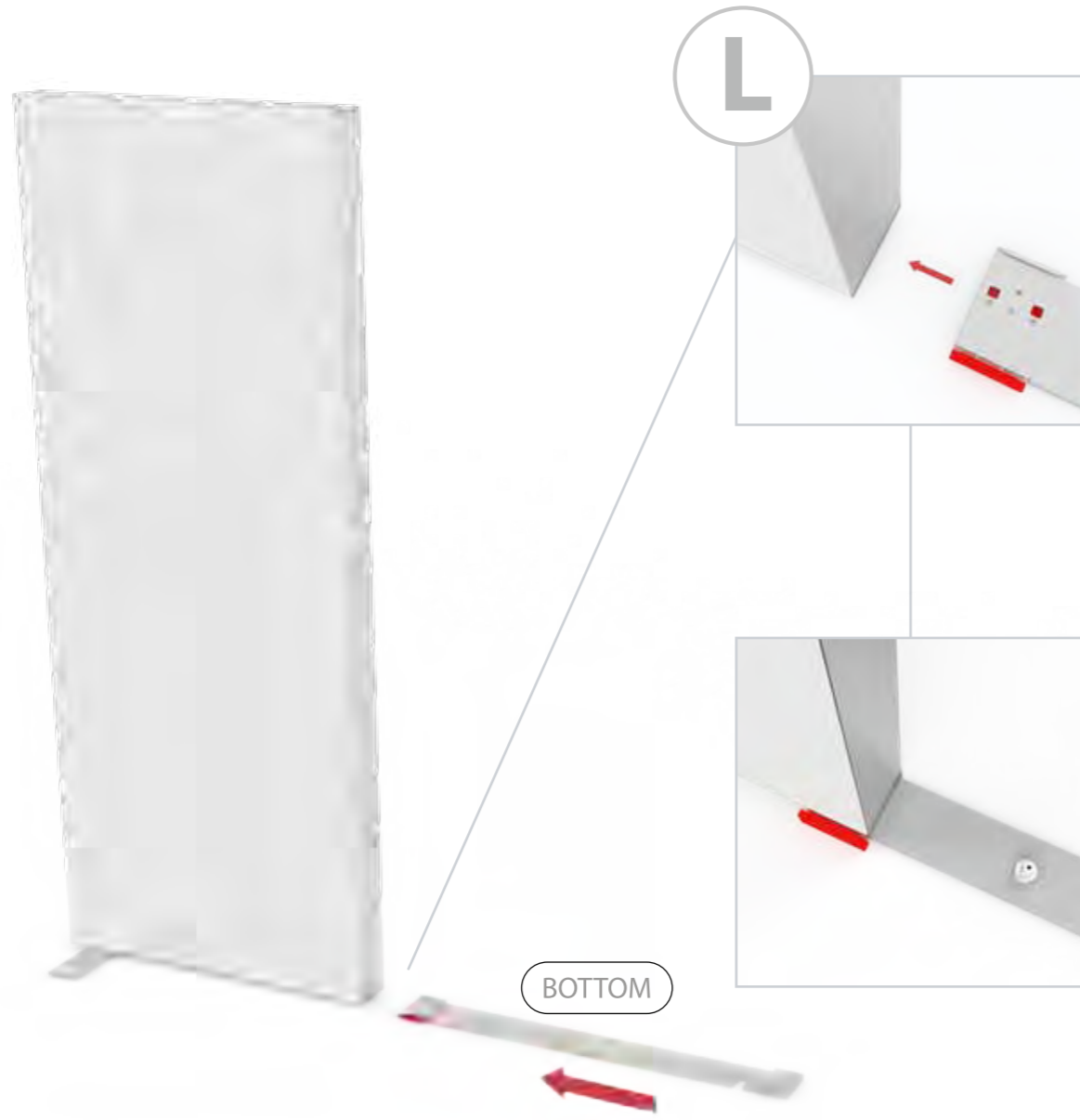


# GERADE VERSION/STRAIGHT VERSION

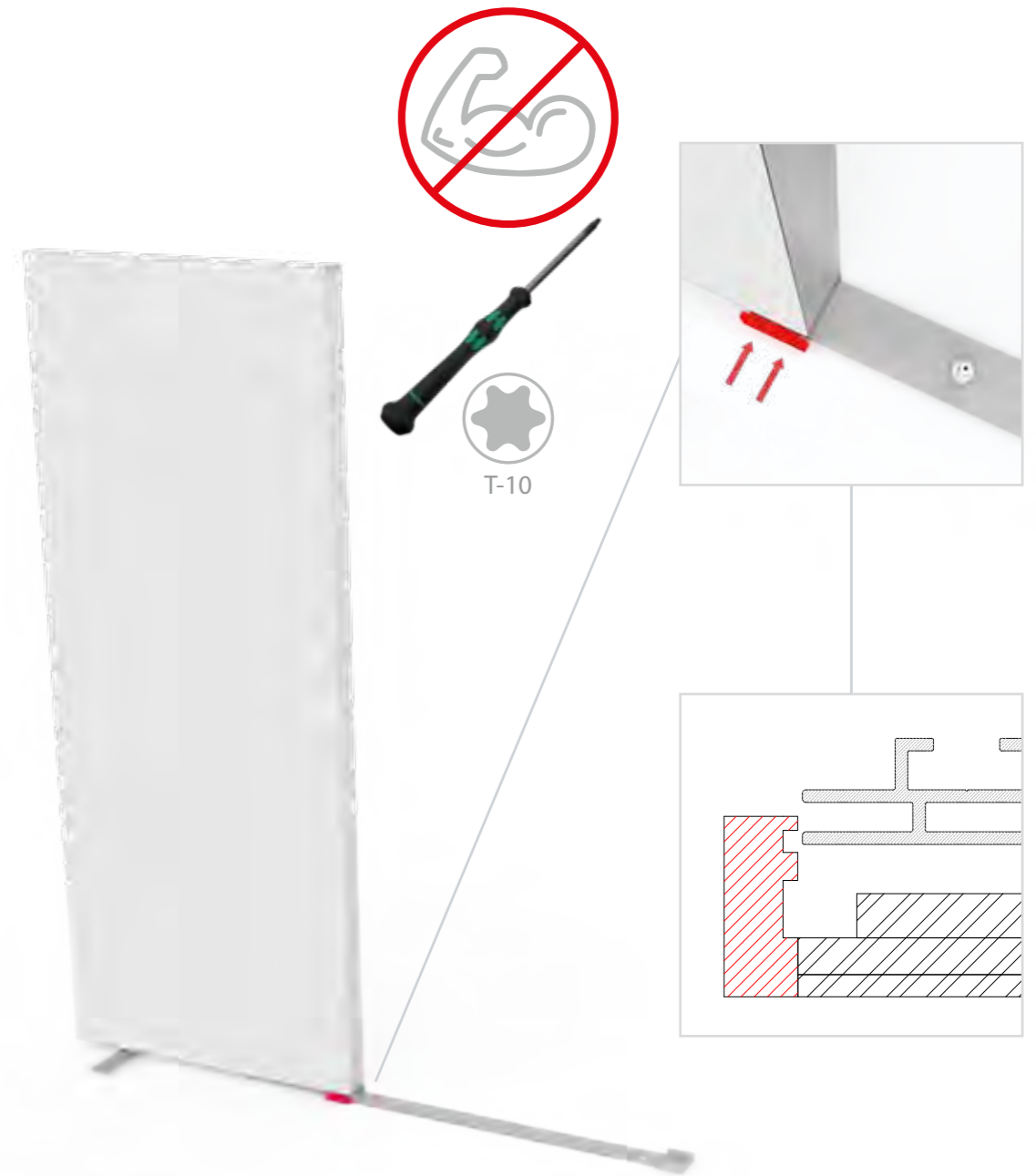


# GERADE VERSION/STRAIGHT VERSION

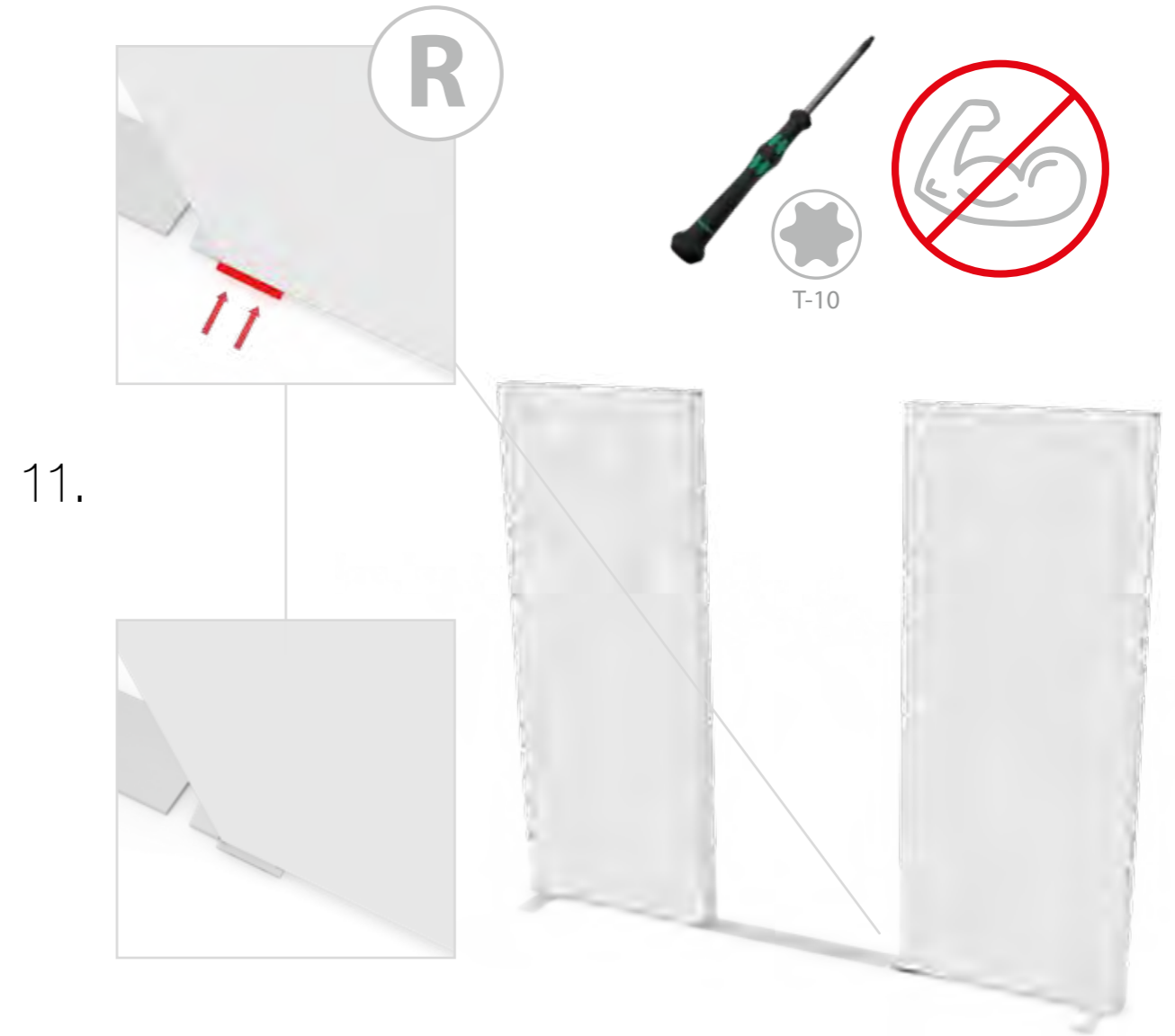
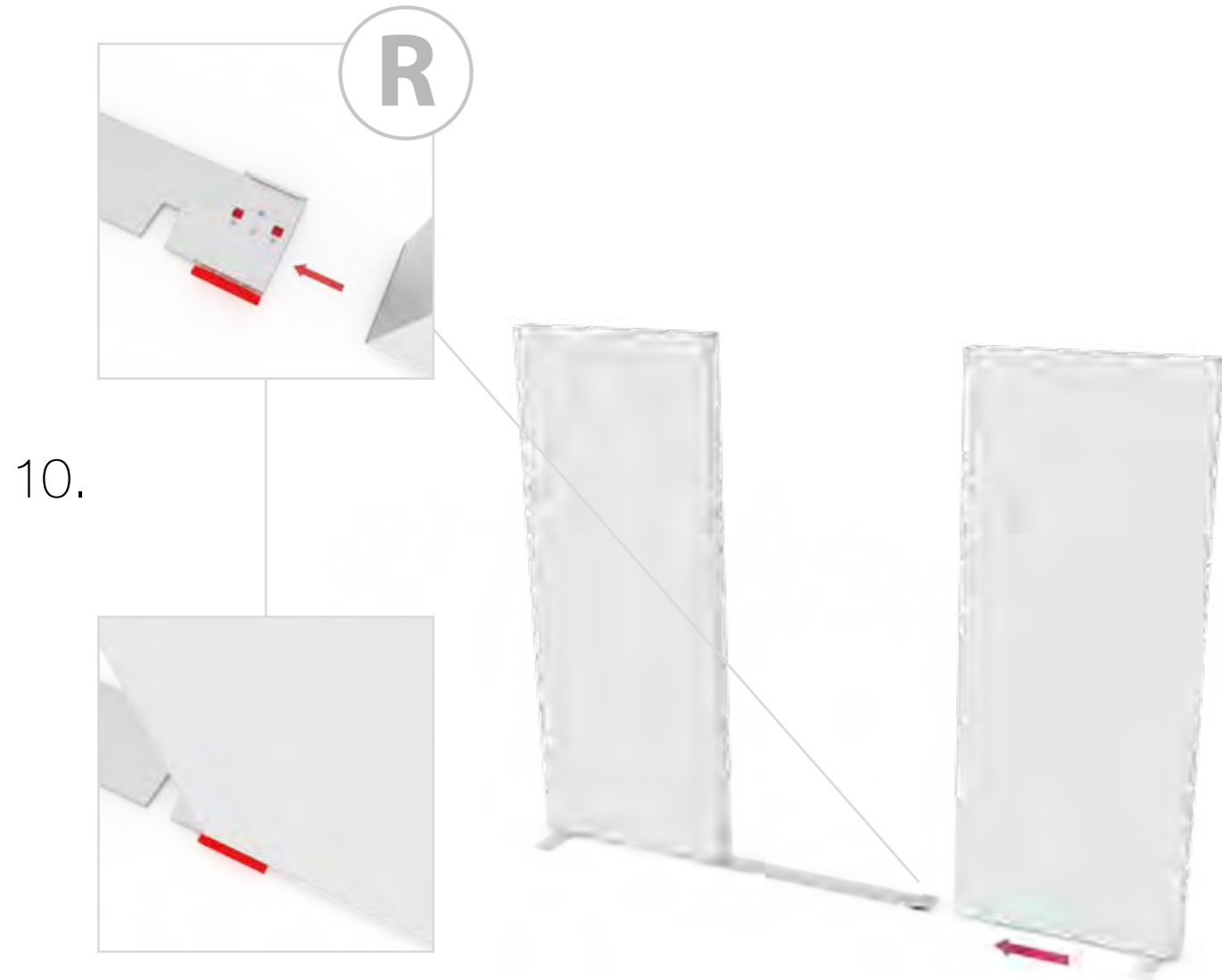
8.



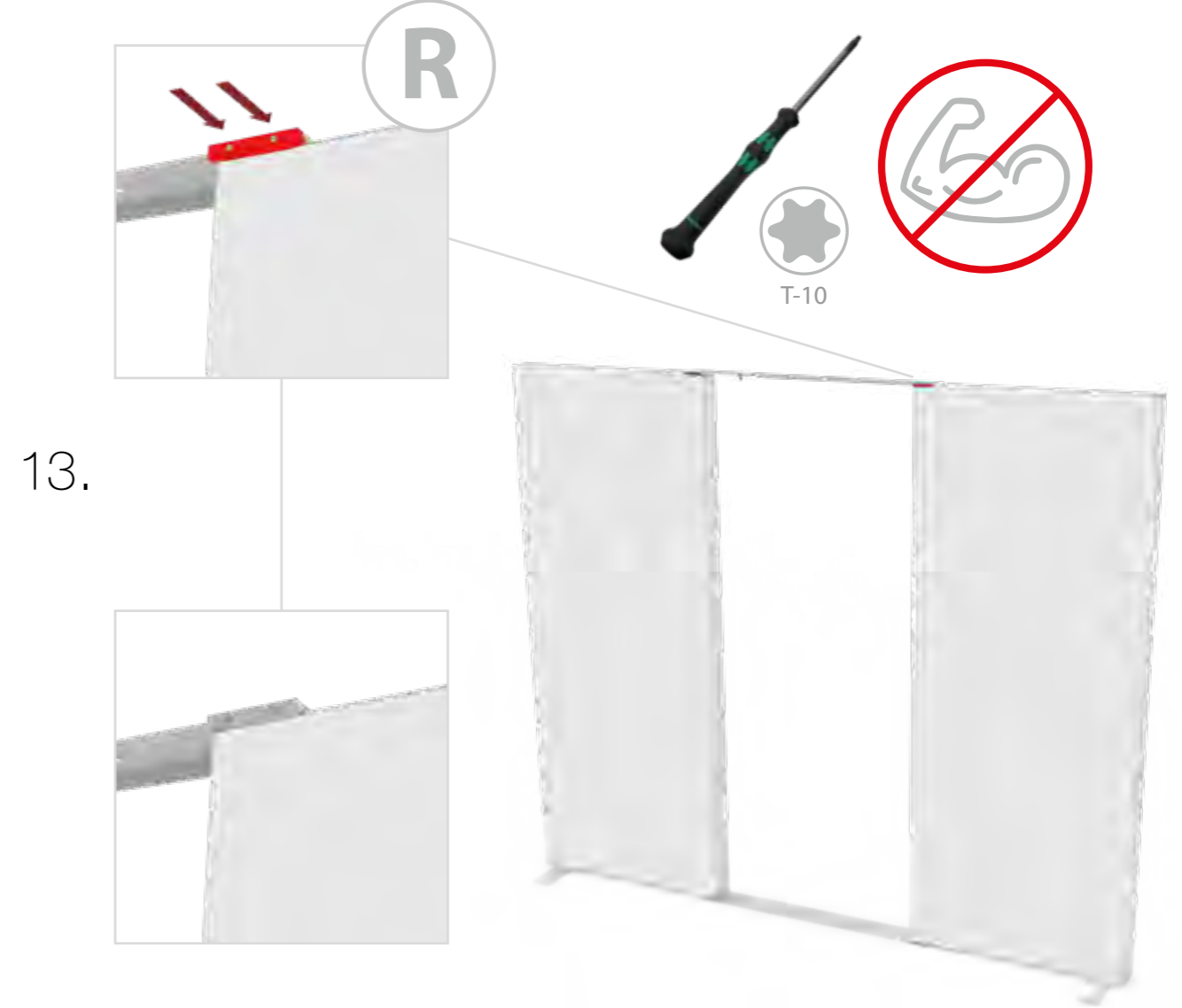
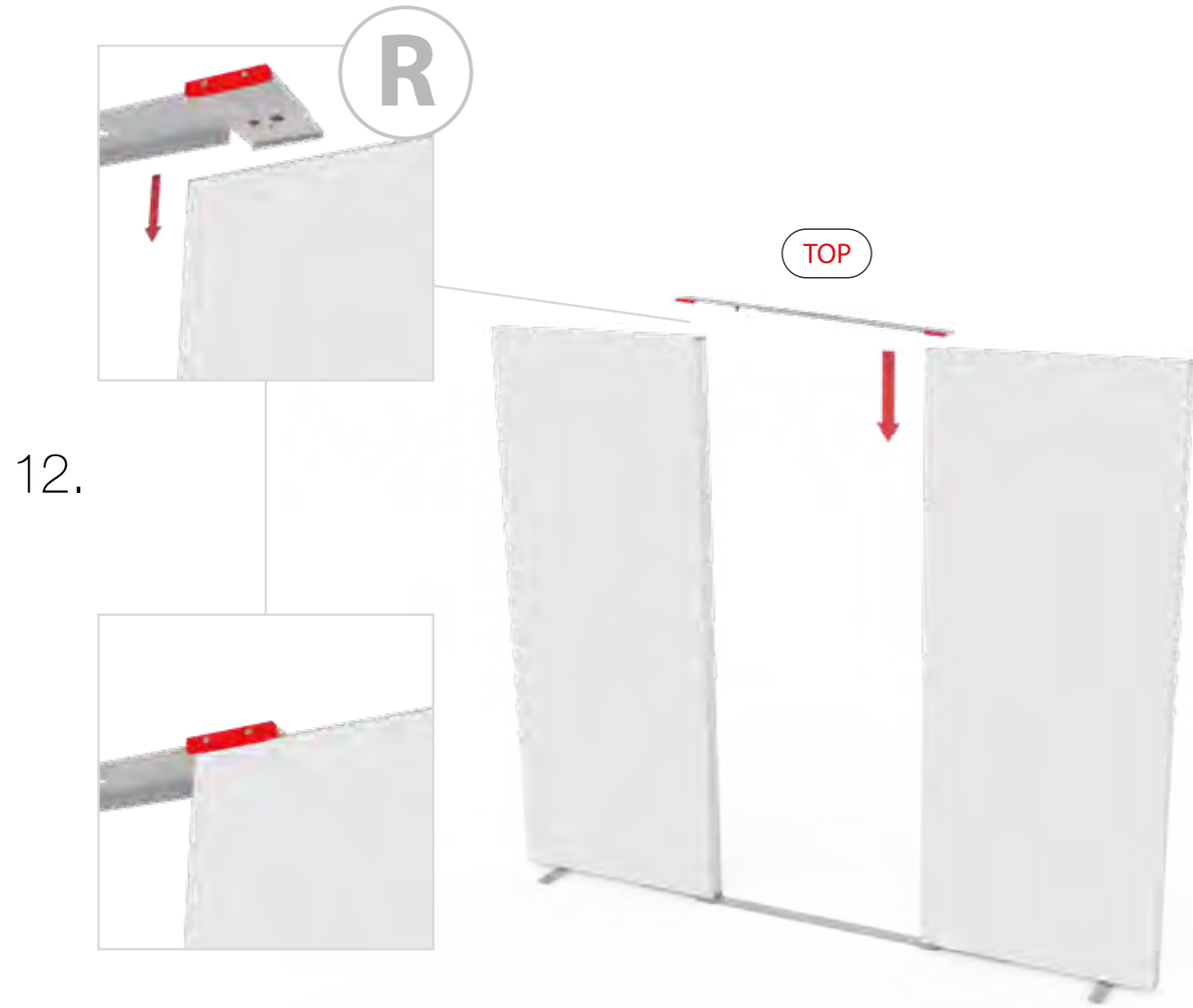
9.



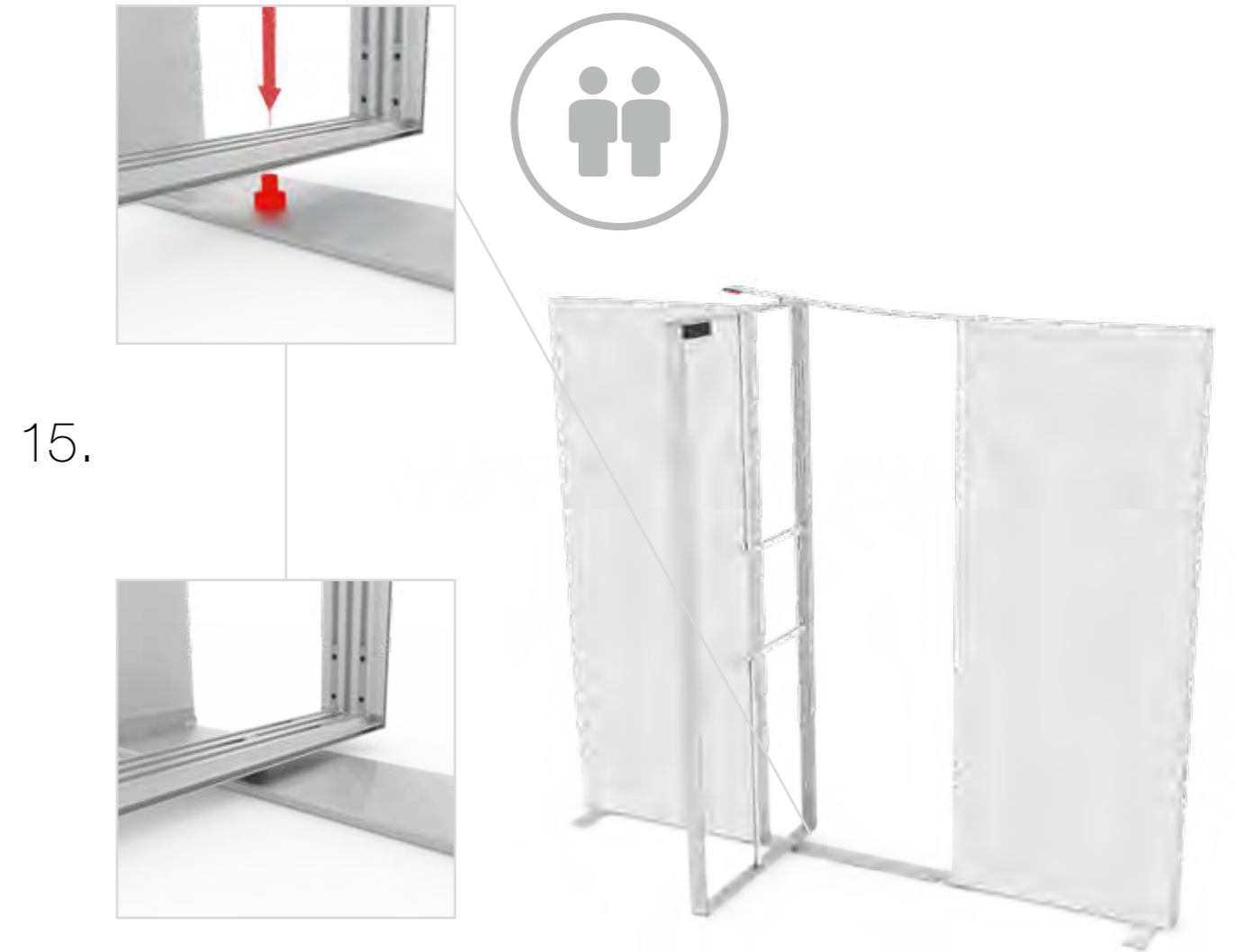
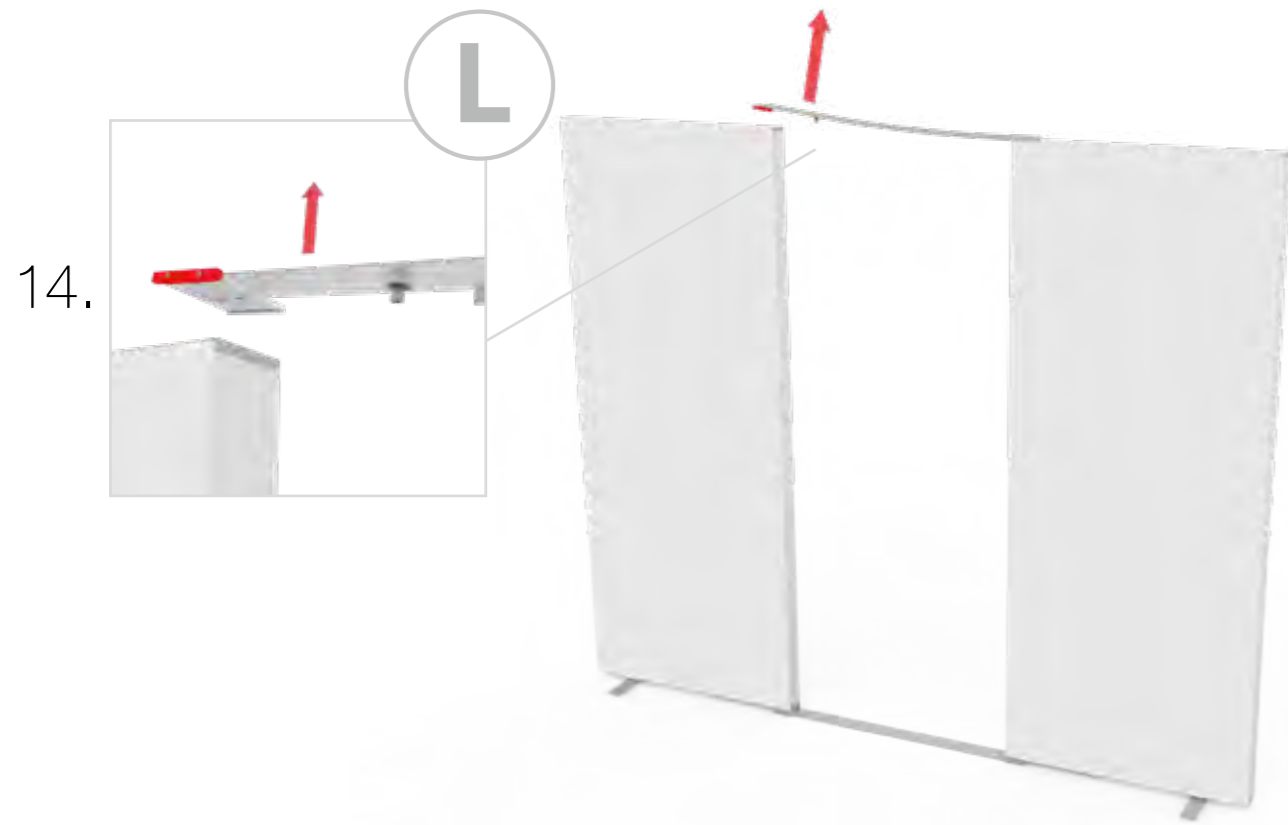
# GERADE VERSION/STRAIGHT VERSION



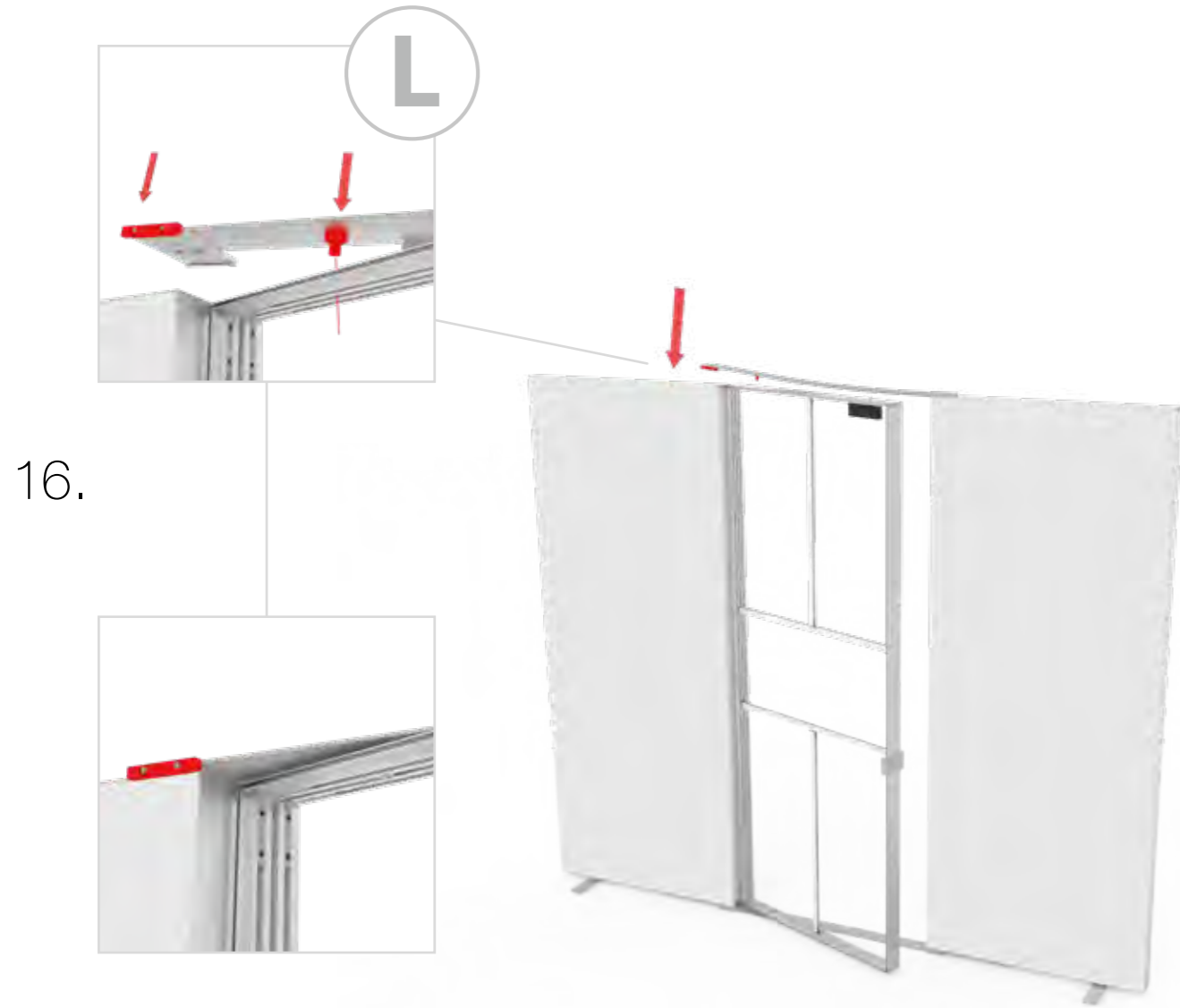
# GERADE VERSION/STRAIGHT VERSION



# GERADE VERSION/STRAIGHT VERSION

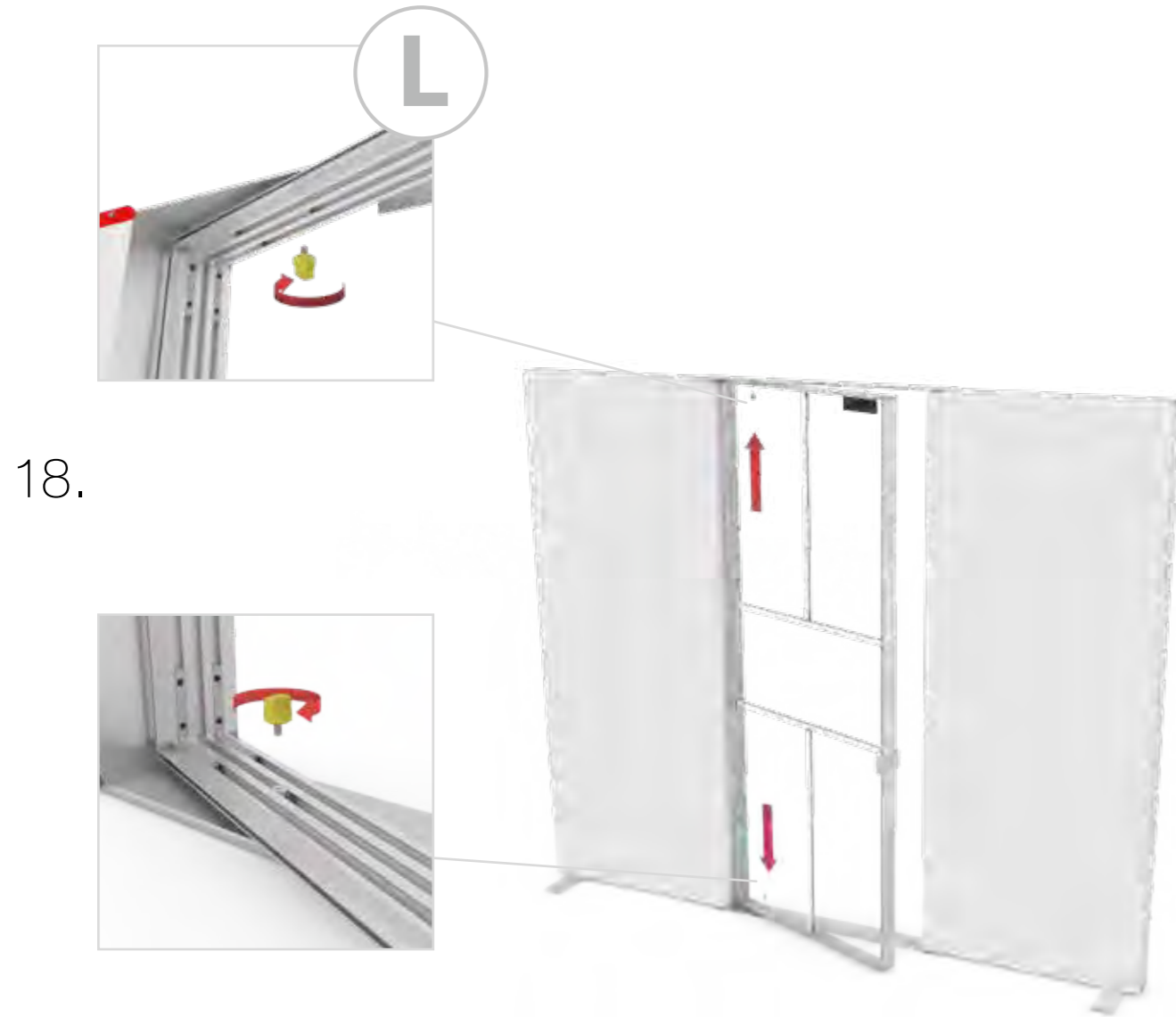


# GERADE VERSION/STRAIGHT VERSION



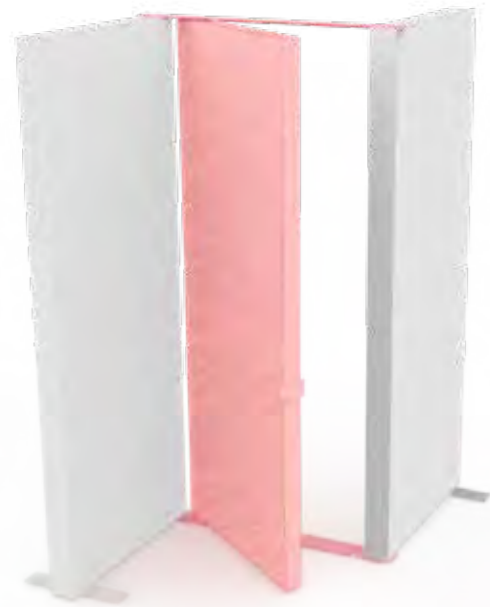
# GERADE VERSION/STRAIGHT VERSION

# GERADE VERSION/STRAIGHT VERSION



2 SEK. DRÜCKEN  
PRESS FOR 2 SEC.

# ECK- & KOJENVERSION/CORNER & STORAGE VERSION



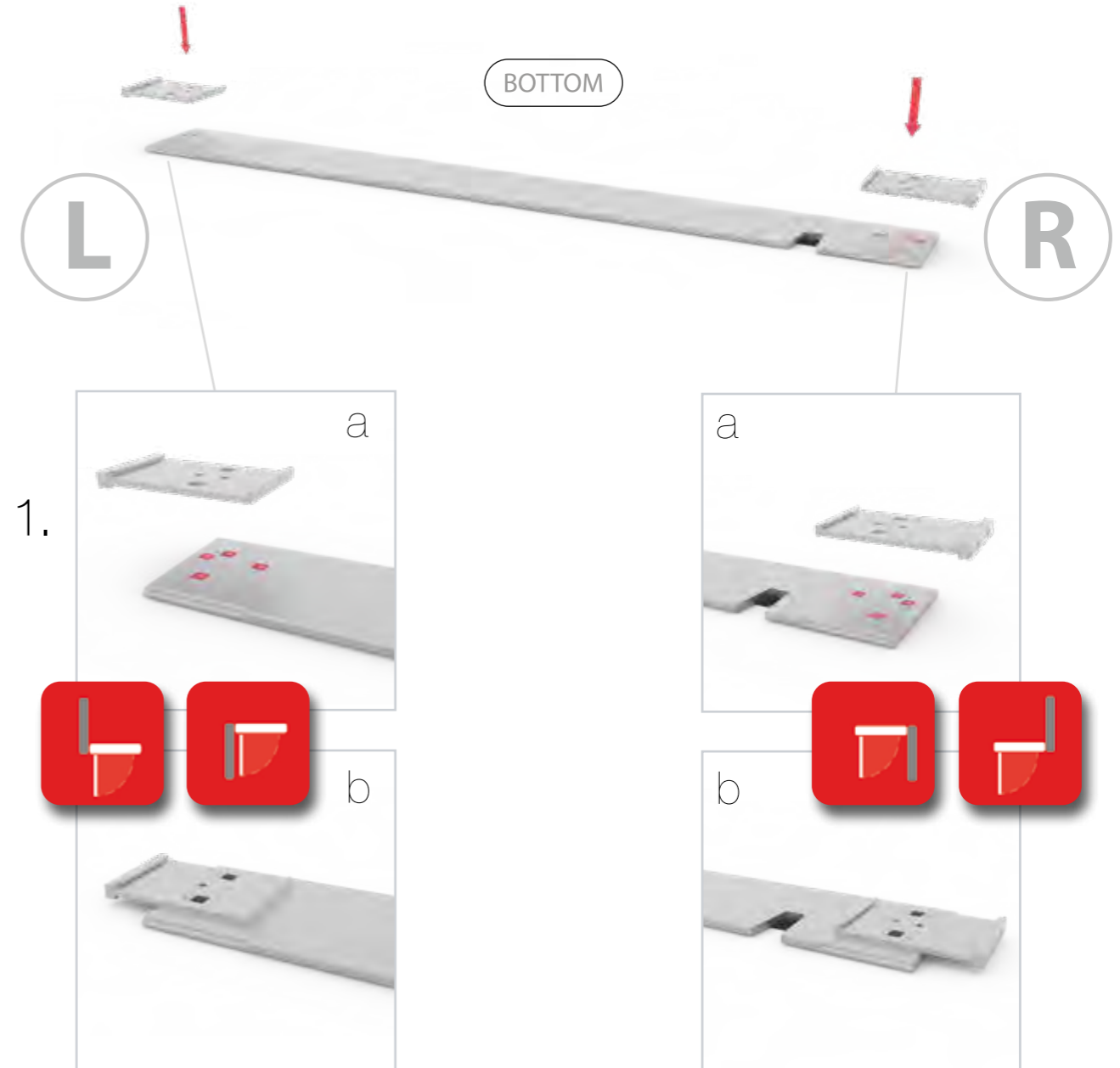
corner-L



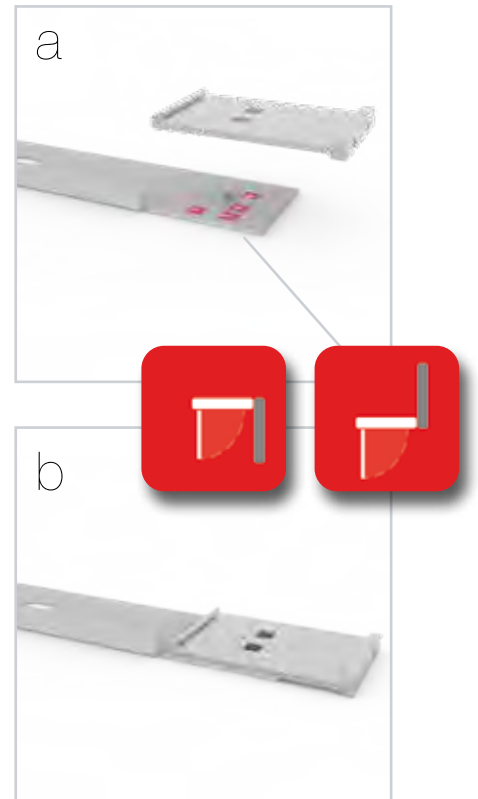
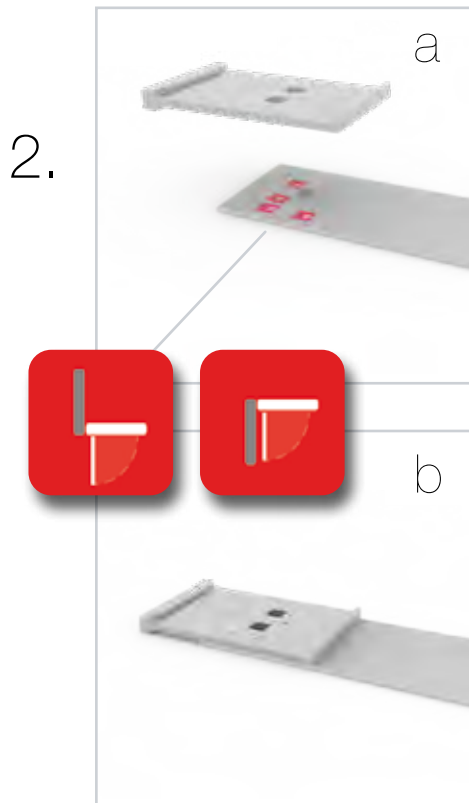
corner-R



storage room



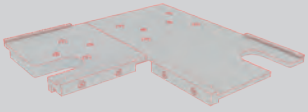
# ECK- & KOJENVERSION/CORNER & STORAGE VERSION



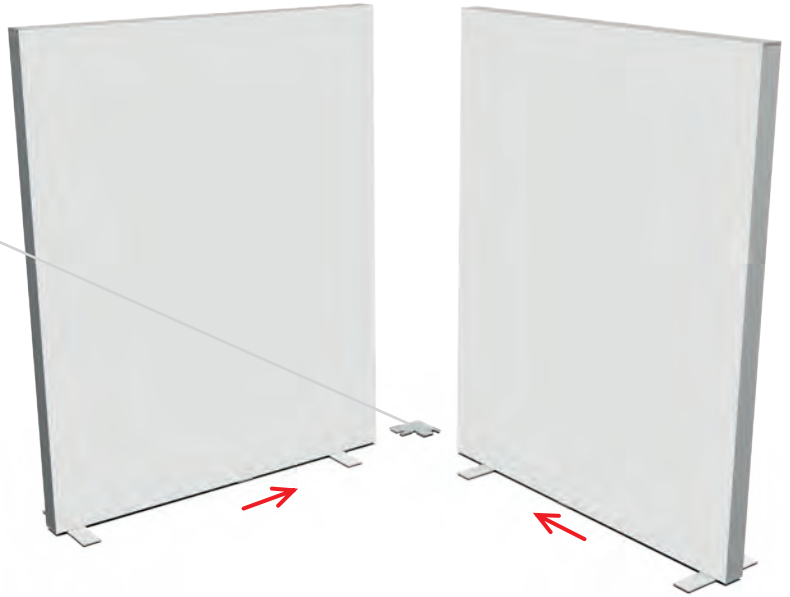
ZUBEHÖR  
ACCESSORIES



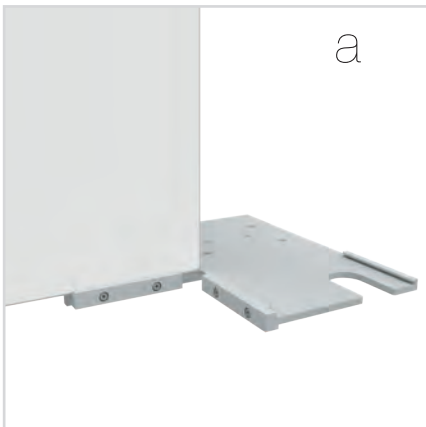
**BIG LED UP**



BLUP-conn-90



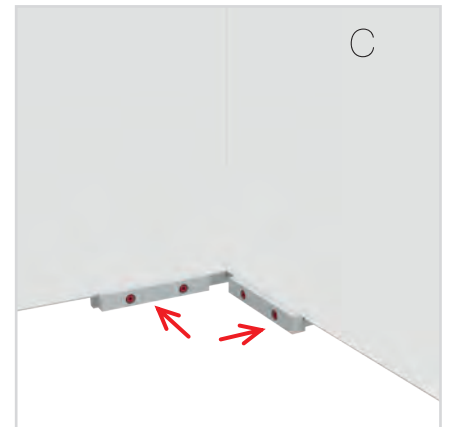
1.



a

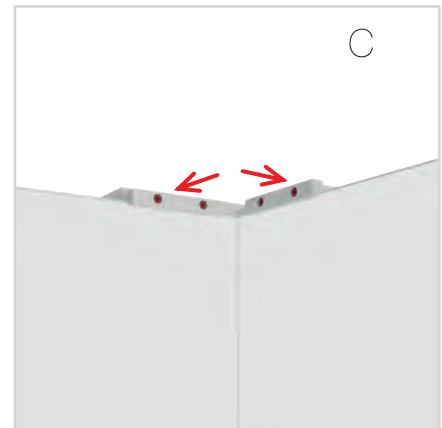
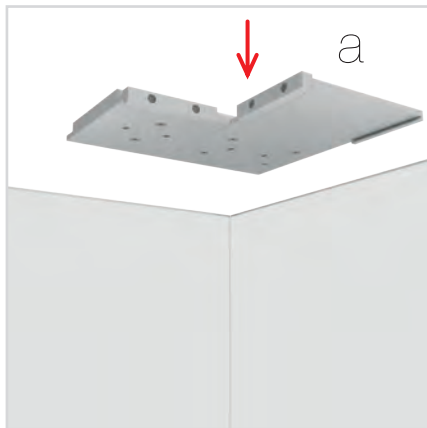
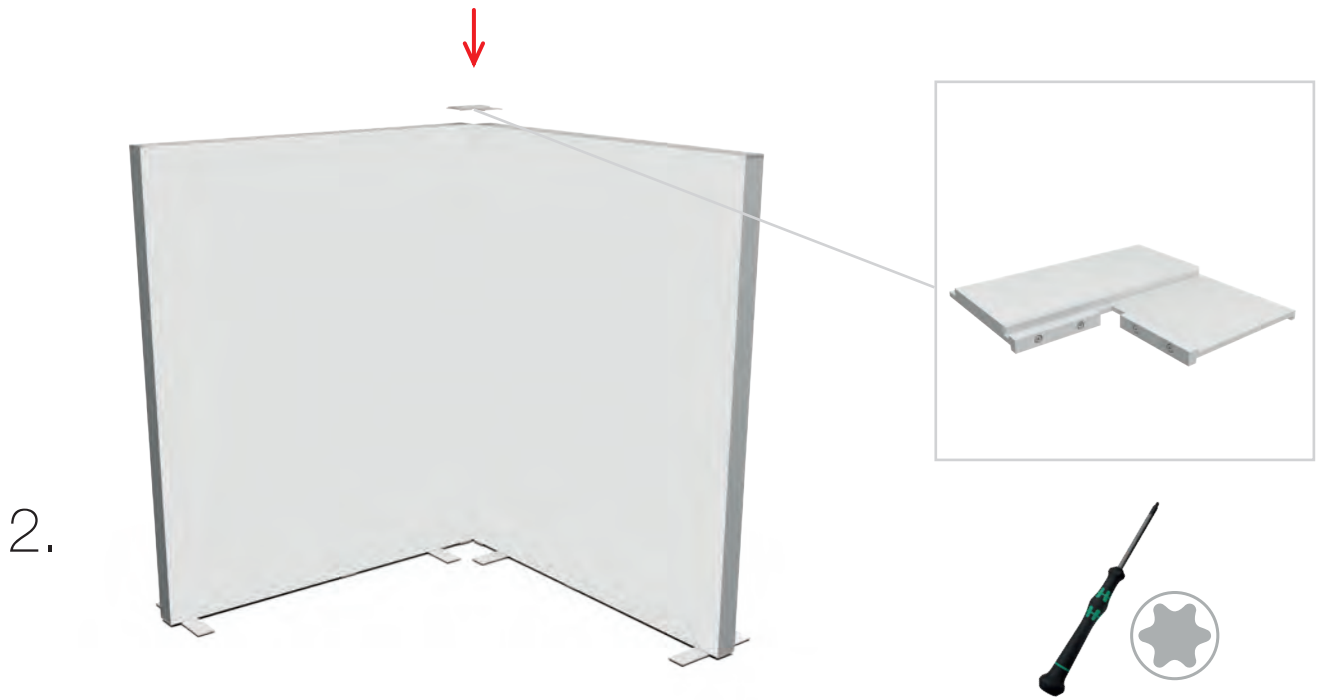


b



c

# ECK KLEMME/ CORNER CLAMP

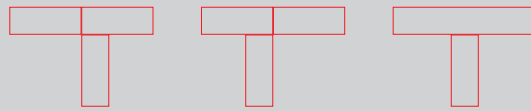
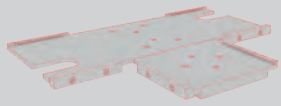




ZUBEHÖR  
ACCESSORIES

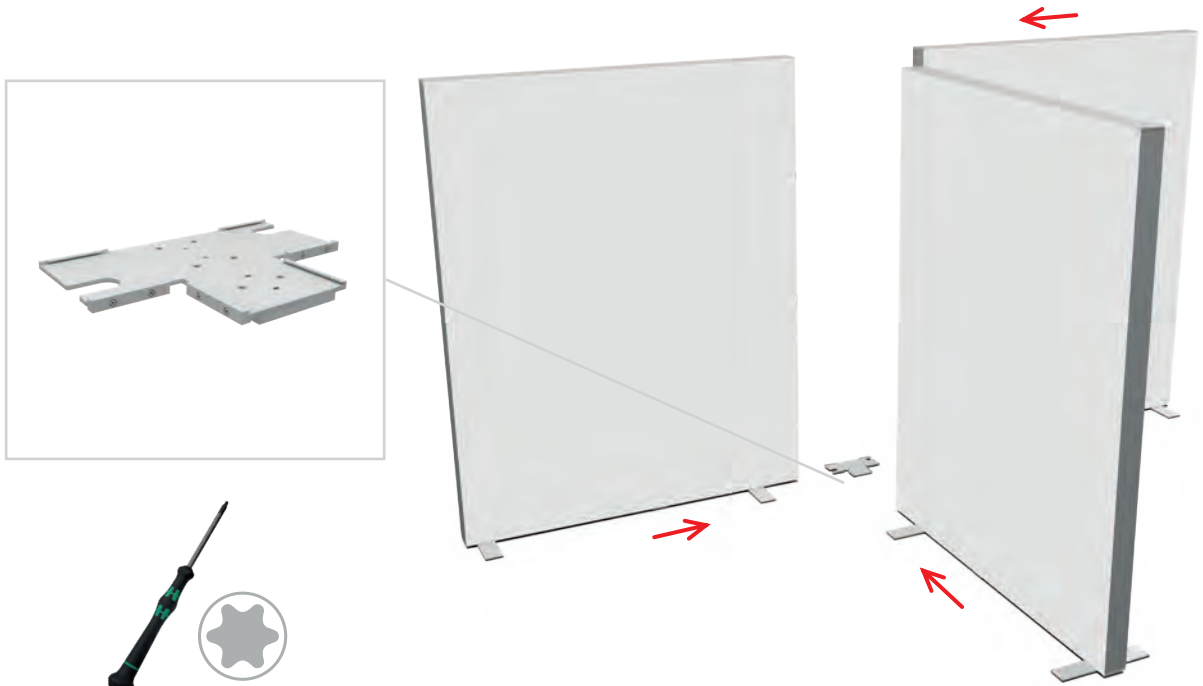


**BIG LED UP**

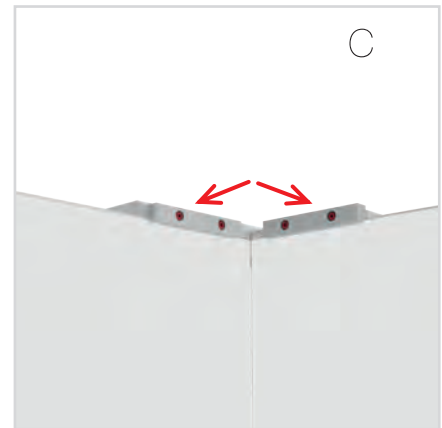
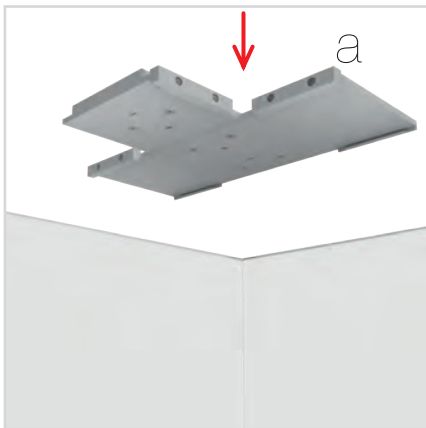
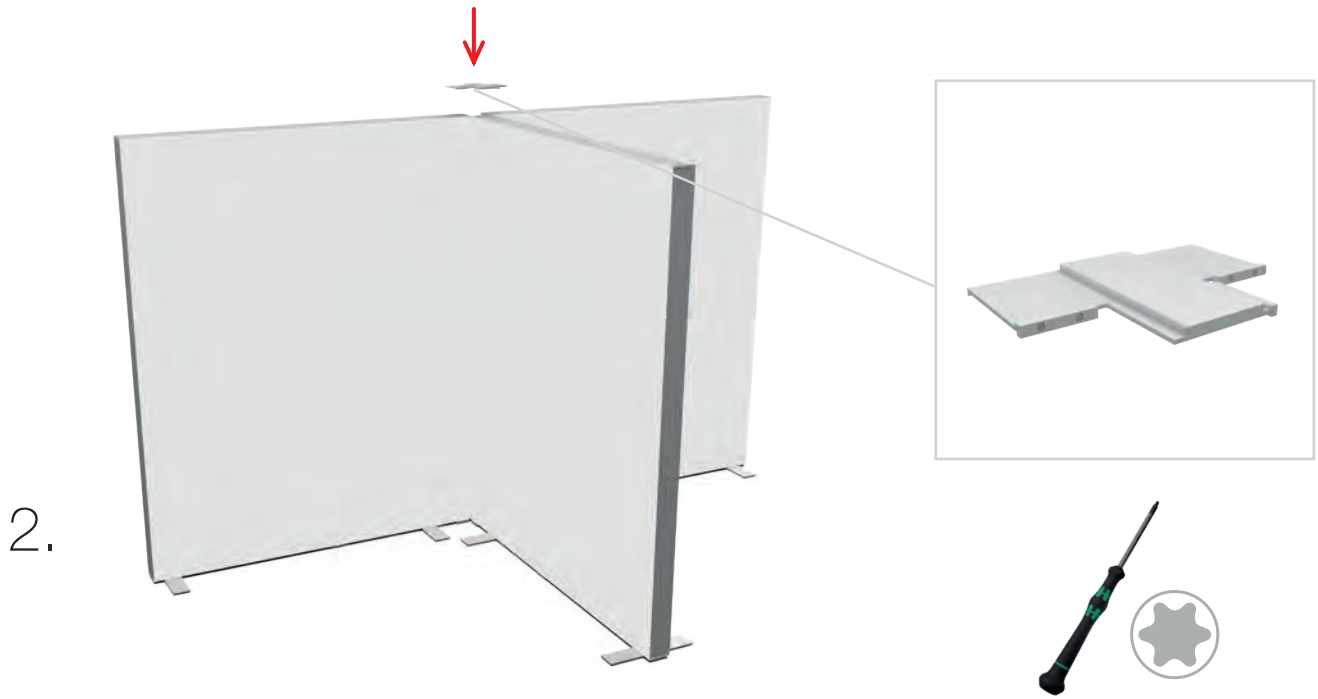


BLUP-conn-T

1.



# T-FORM KLEMME/ T-SHAPE CLAMP

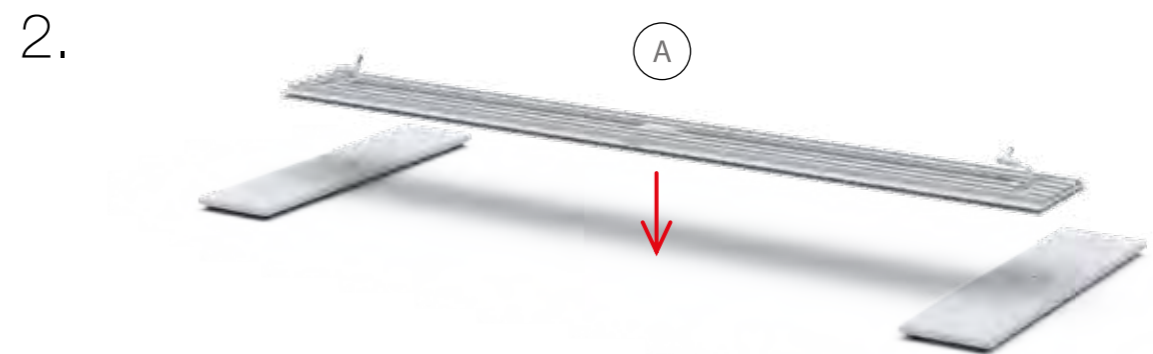
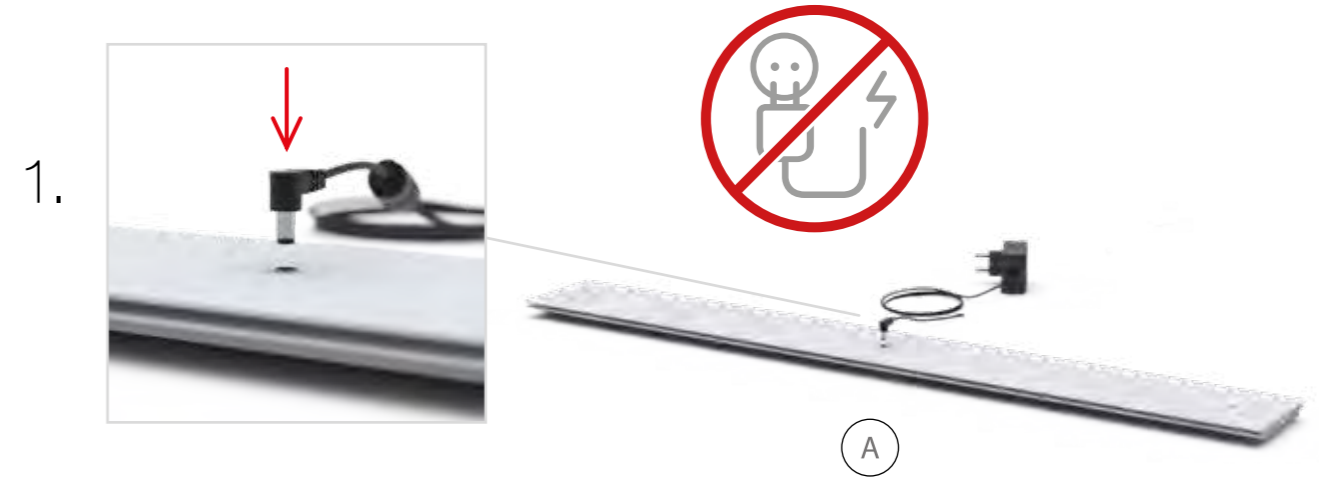


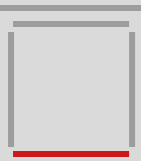


# AUFBAUANLEITUNG SETUP INSTRUCTION

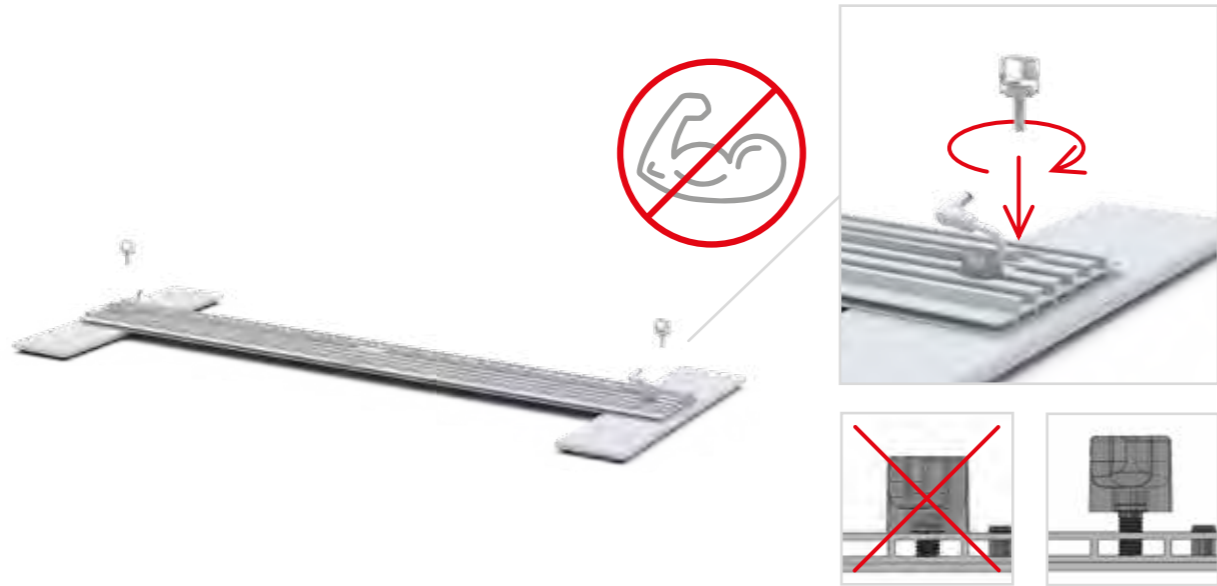


**COUNTER**

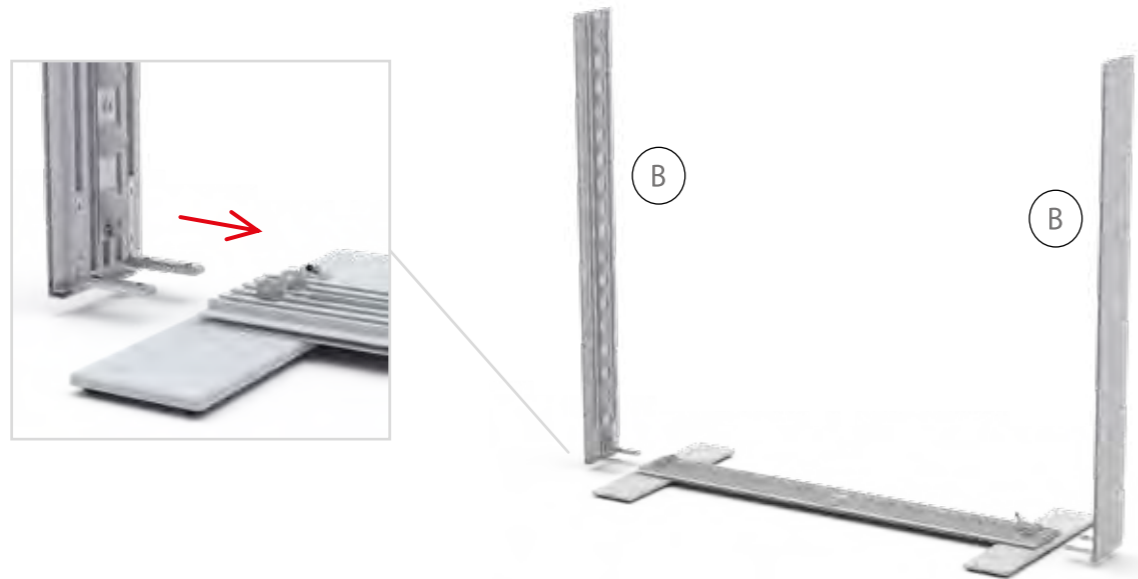




3.

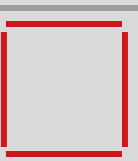
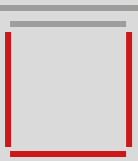


4.



5.





6.



7.



8.

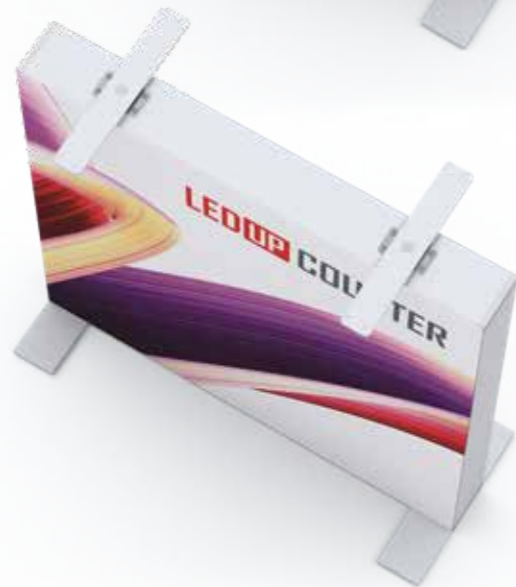




9.

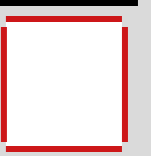
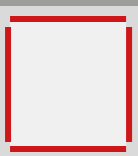


10.

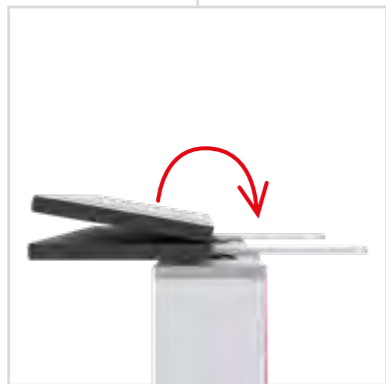


11.





12.



13.

